



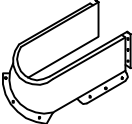



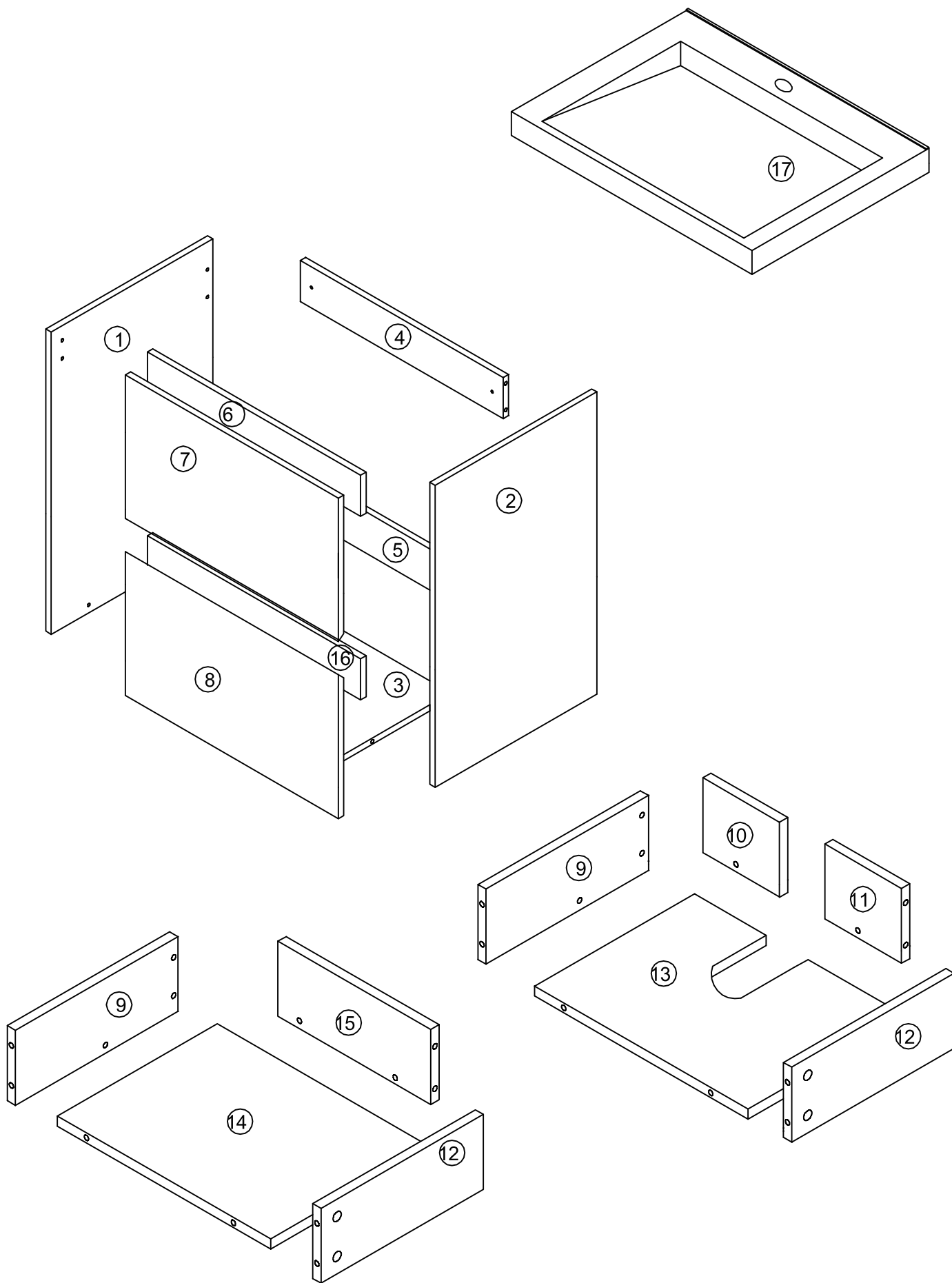
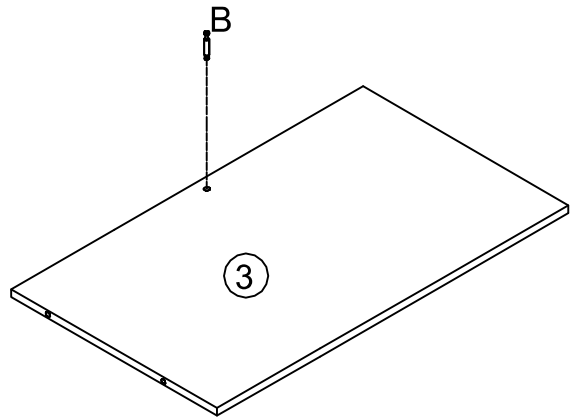
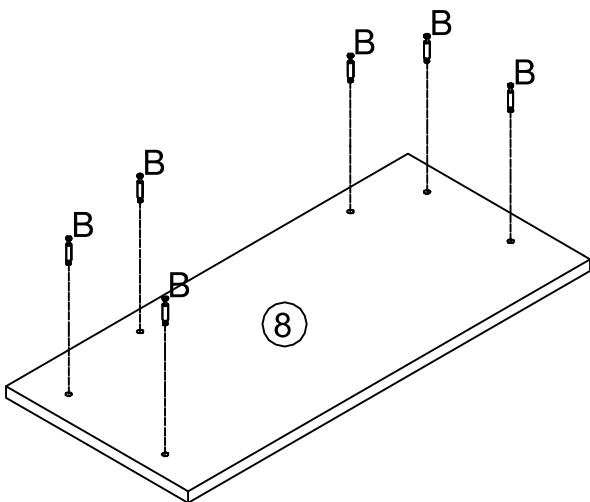
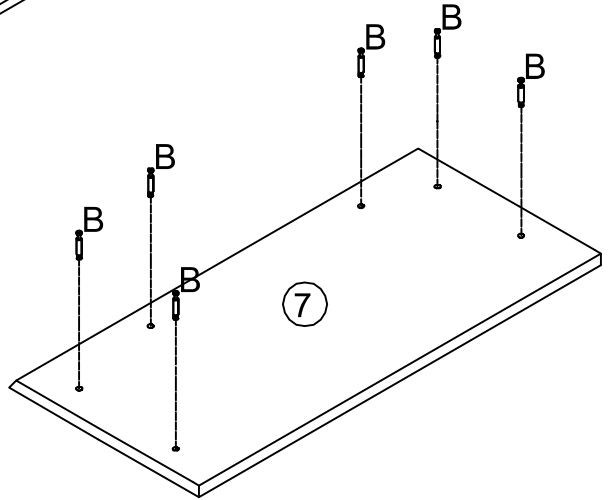
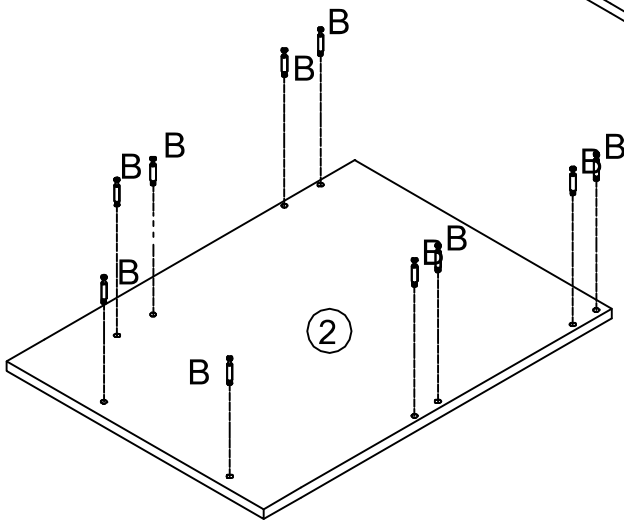
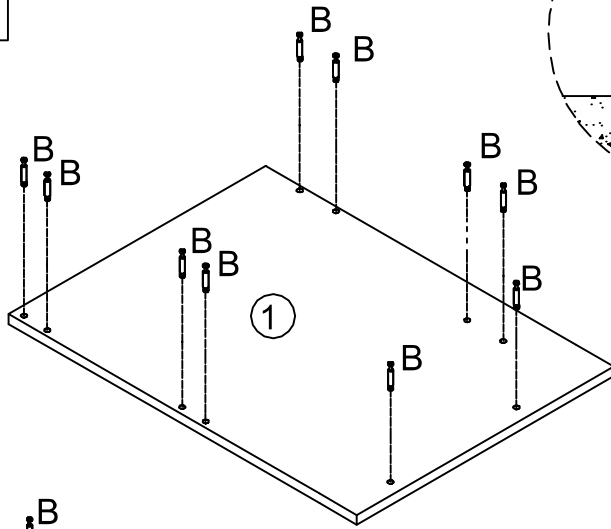
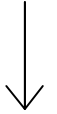
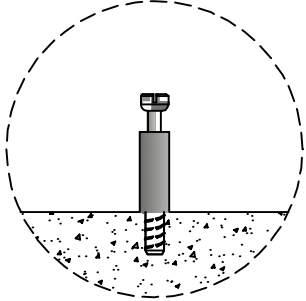
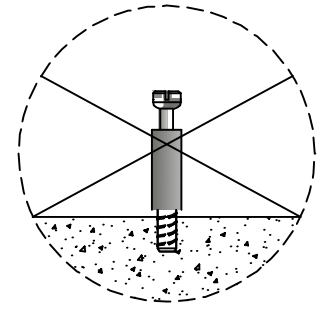
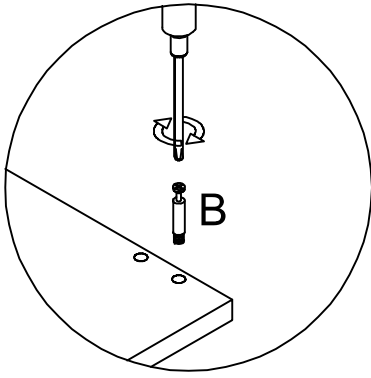
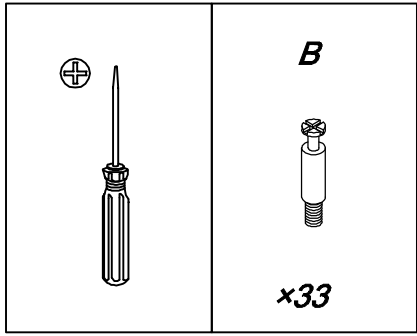
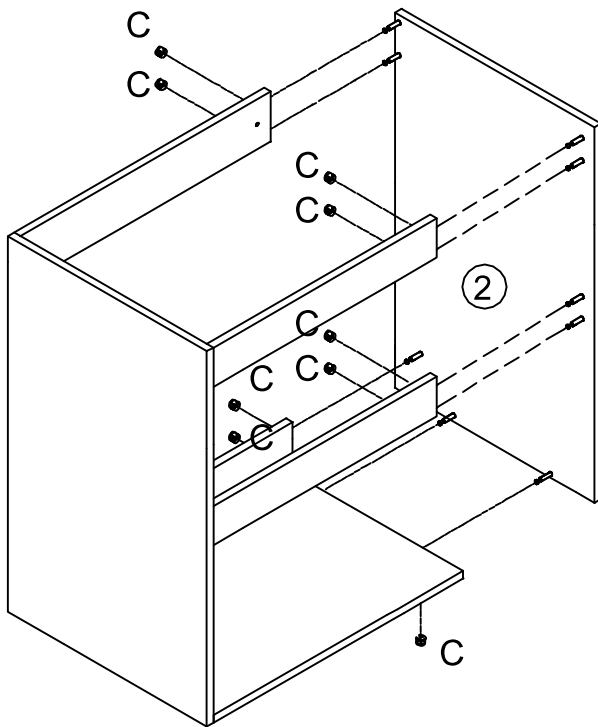
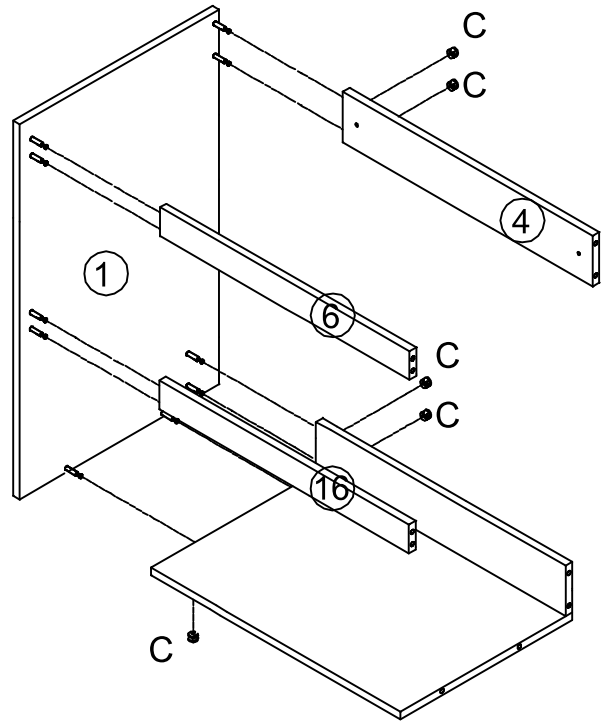
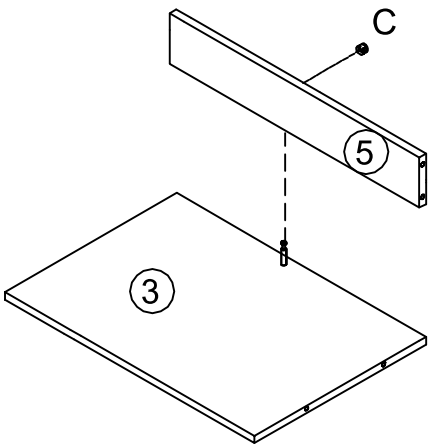
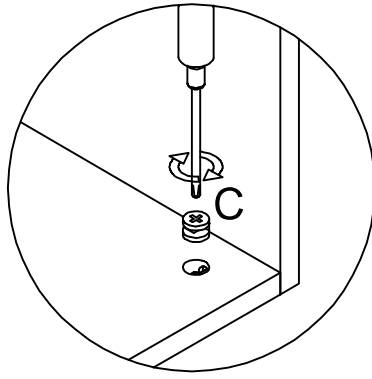
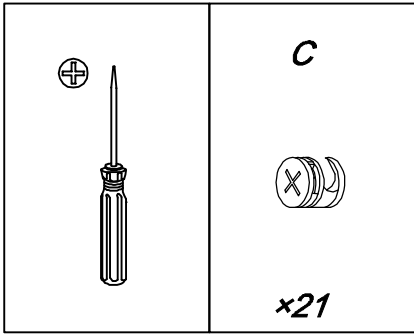
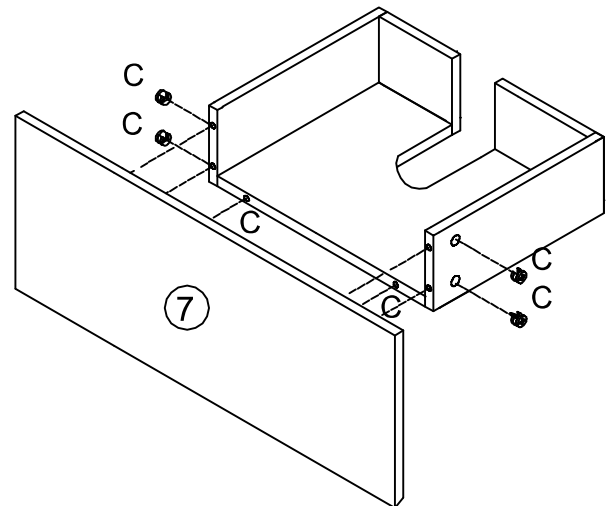
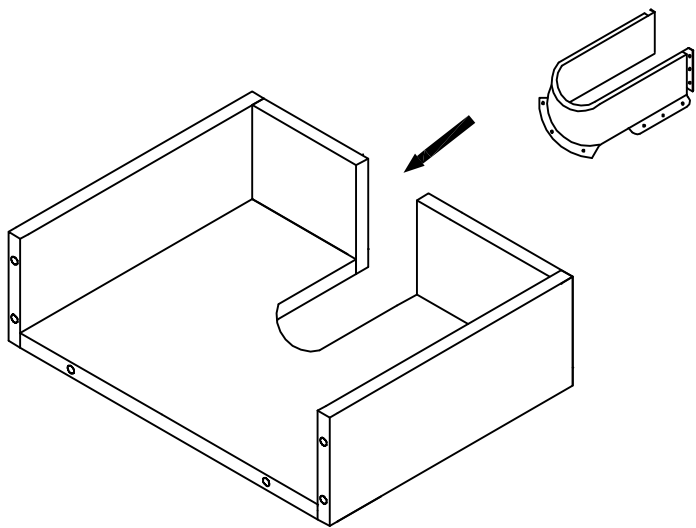
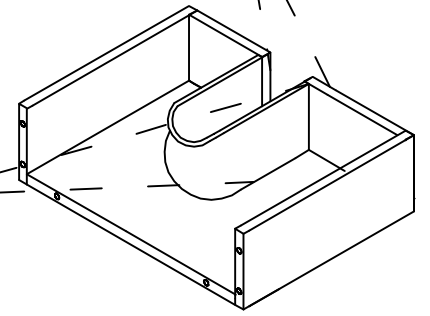
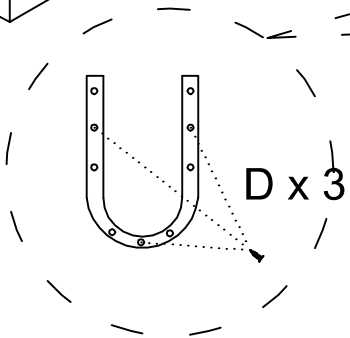
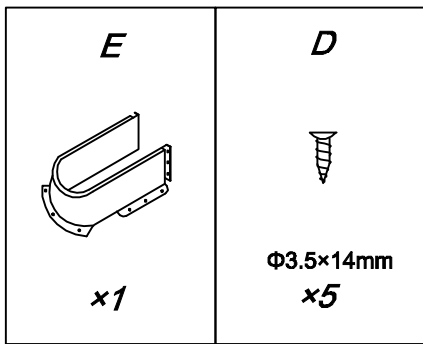
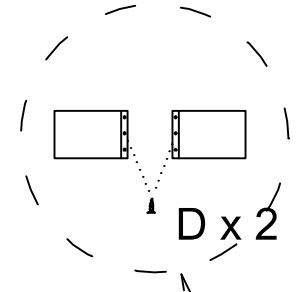
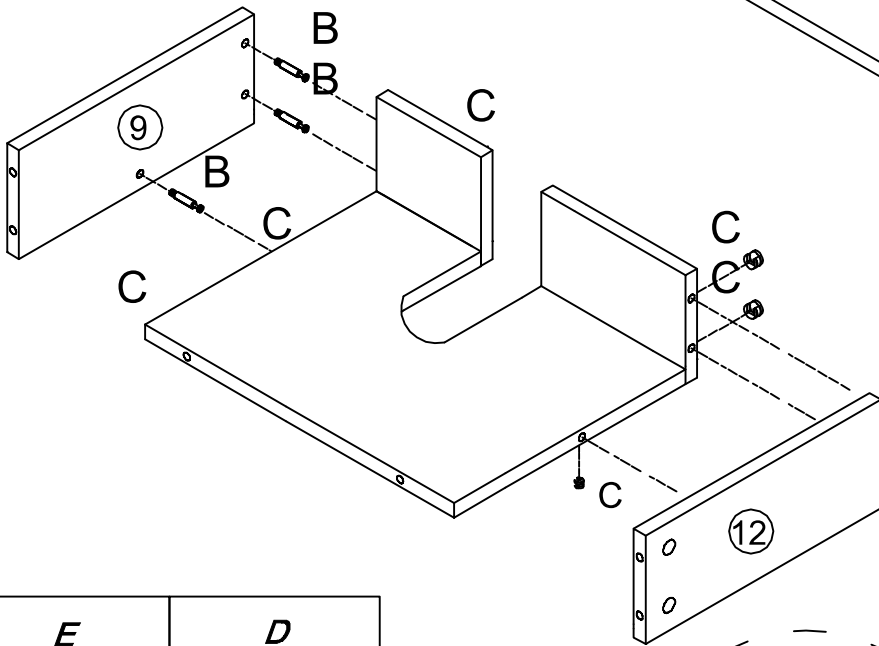
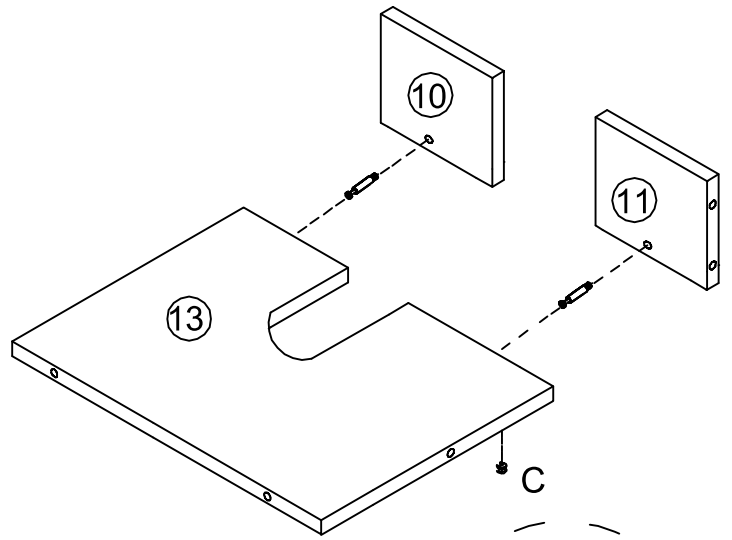
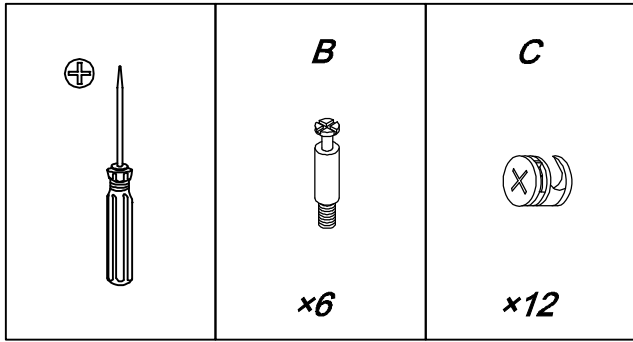


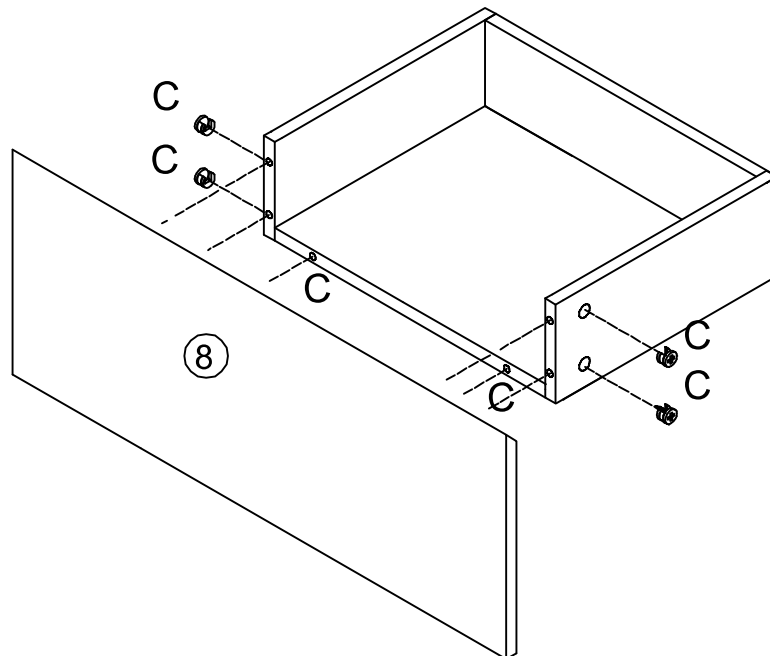
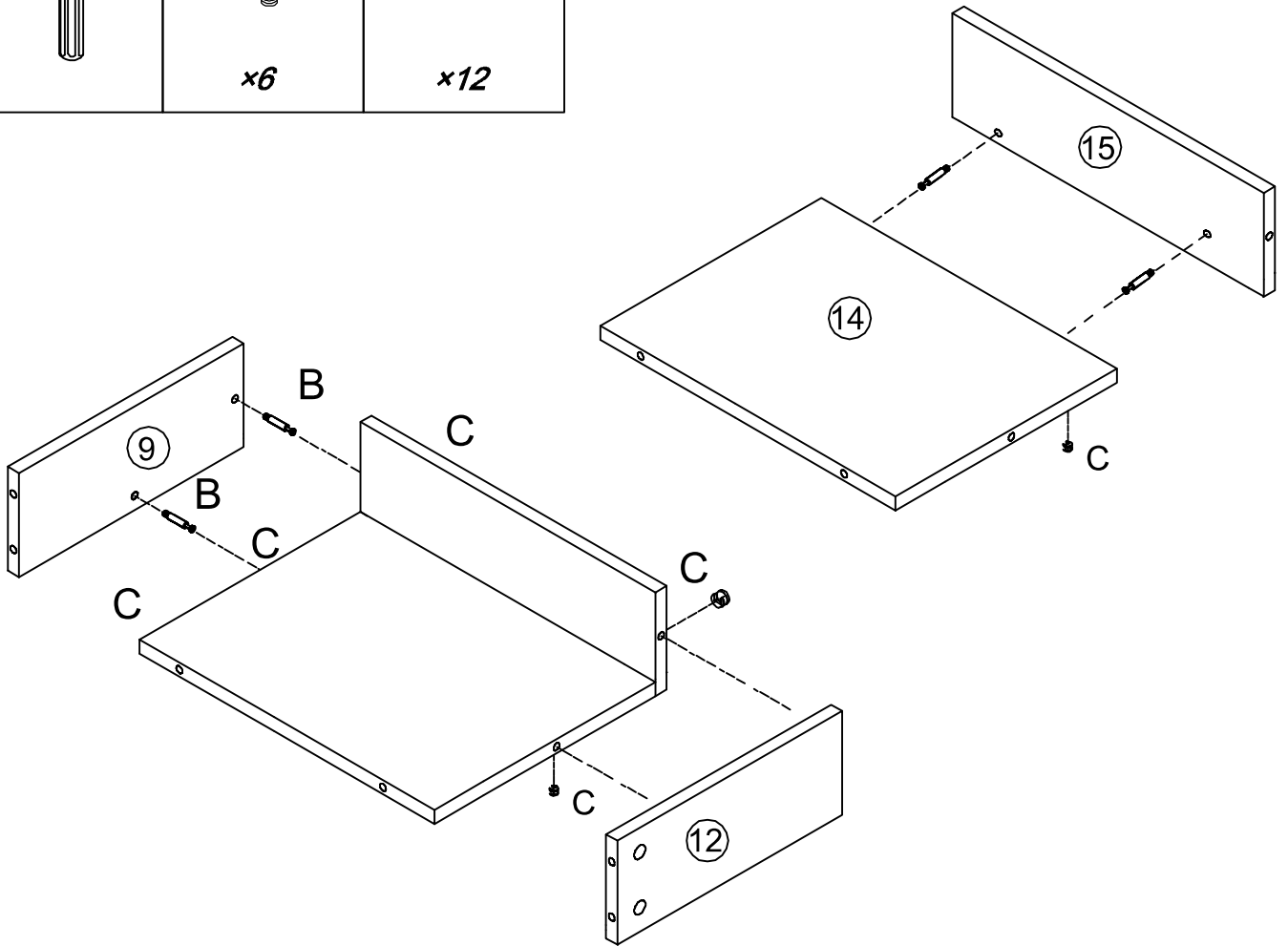
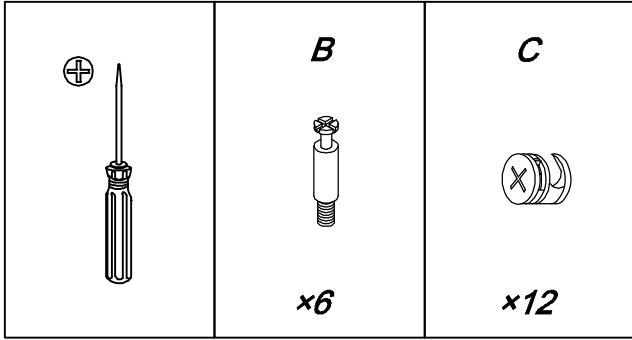
A	B	C	D
			
x4	x49	x49	$\Phi 3.5 \times 14 \text{mm}$ x37
E	F	G	H
			
x1	x2	$\Phi 5 \times 50 \text{mm}$ x2	x2

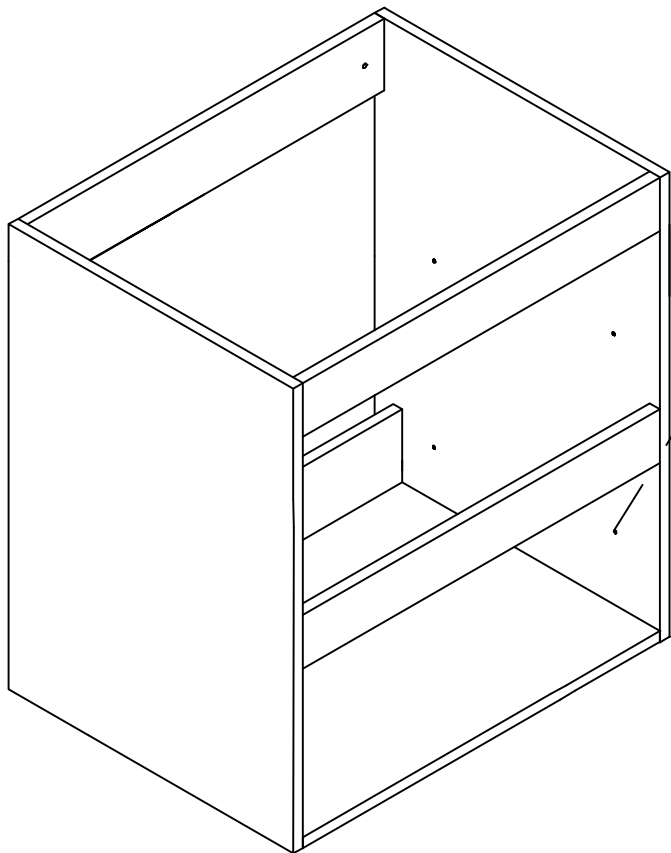
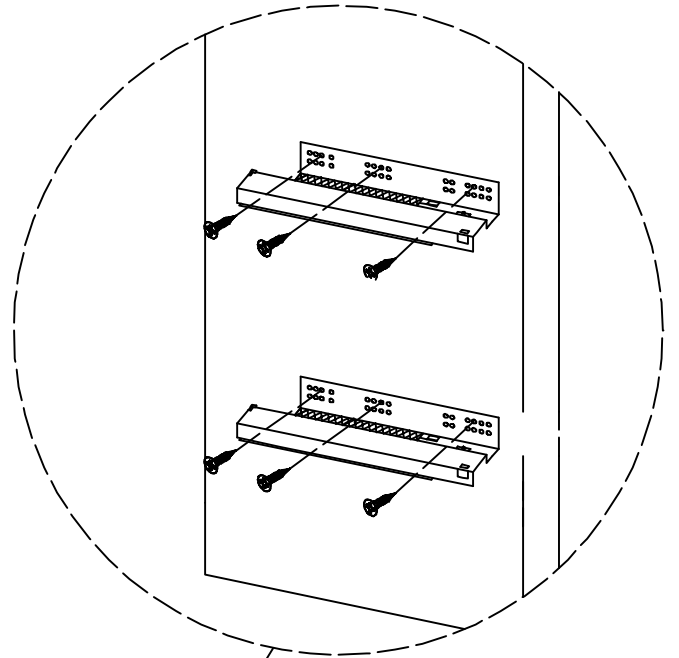
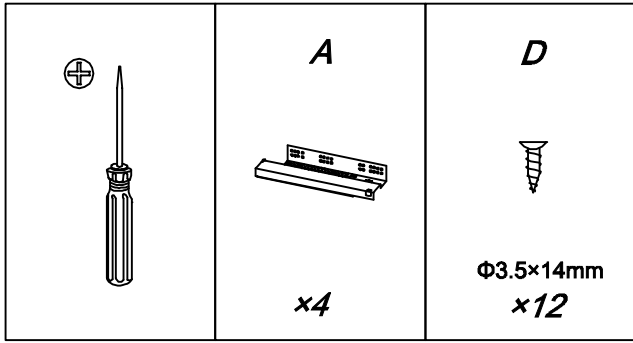


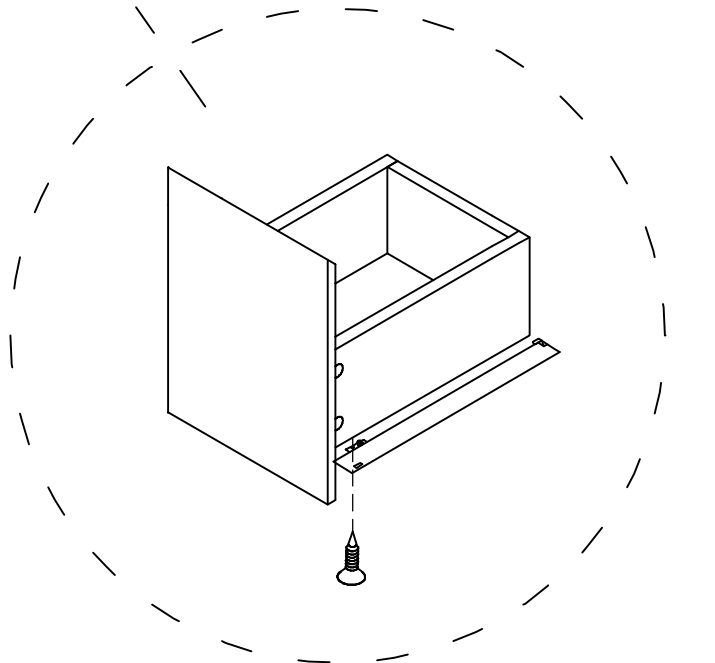
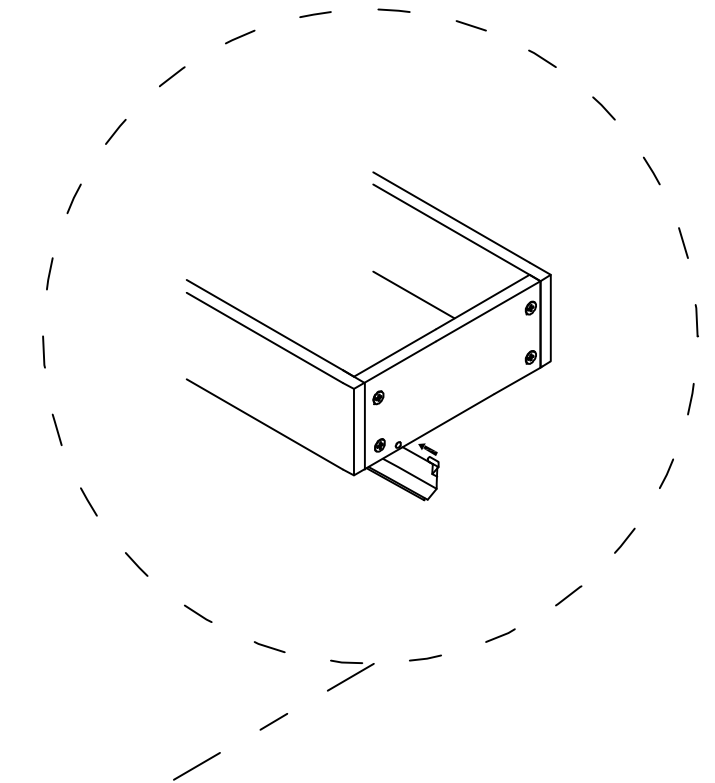
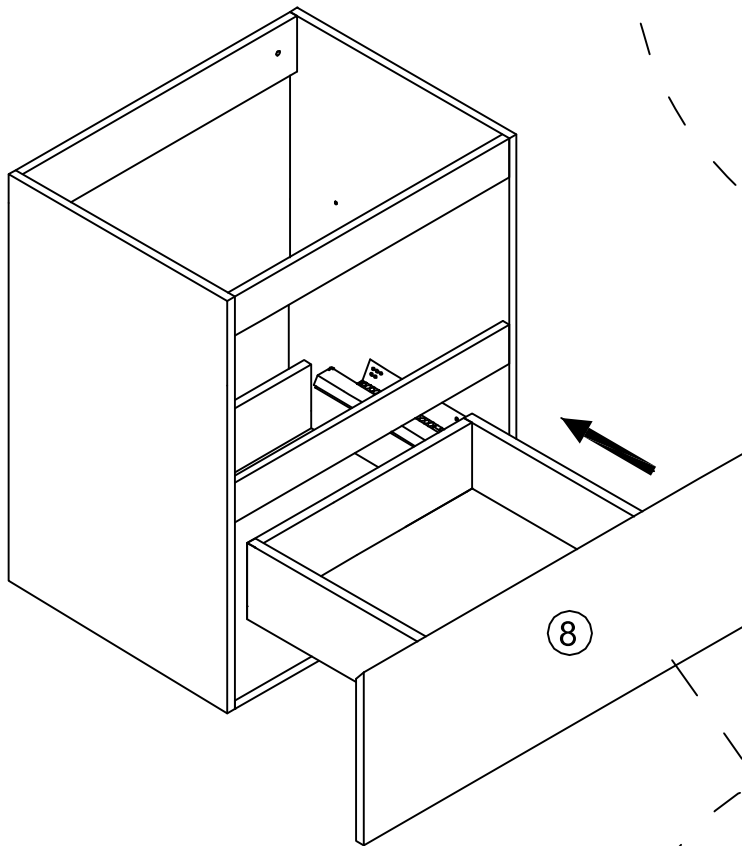
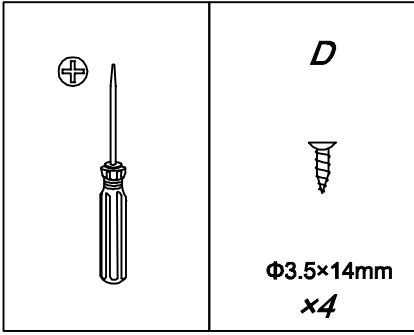


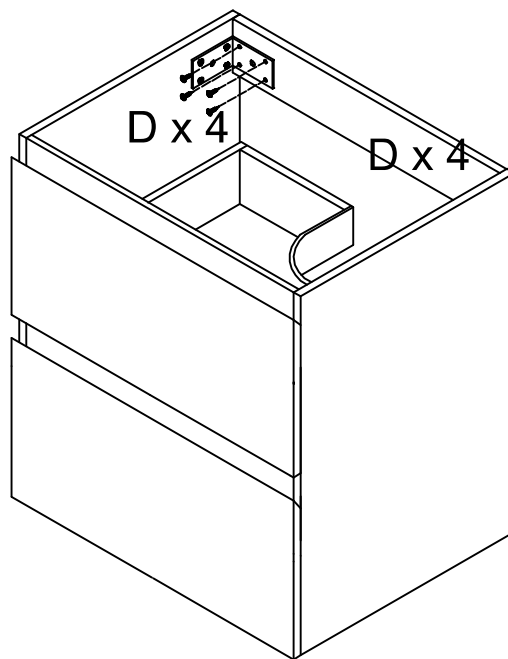
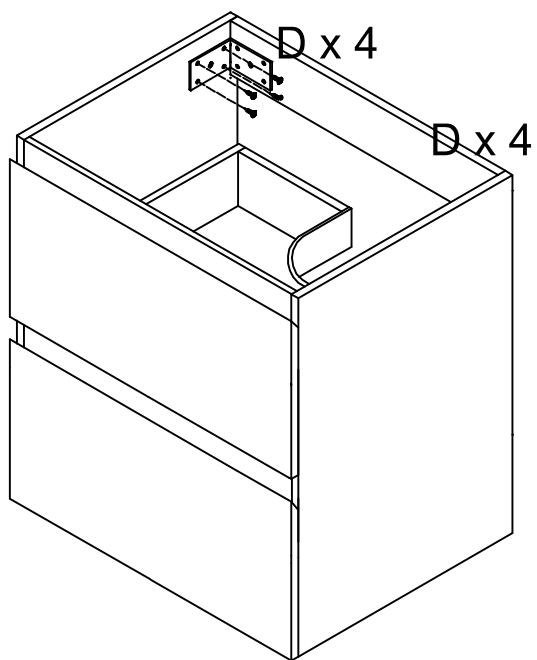
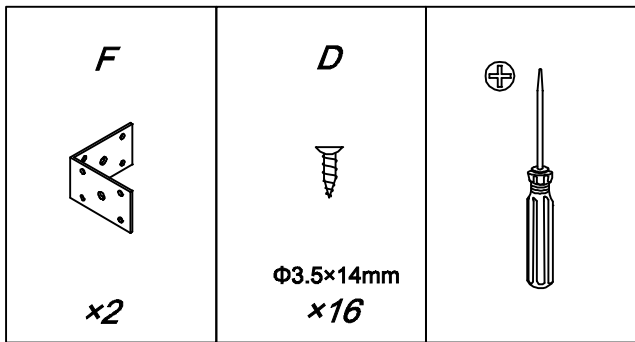


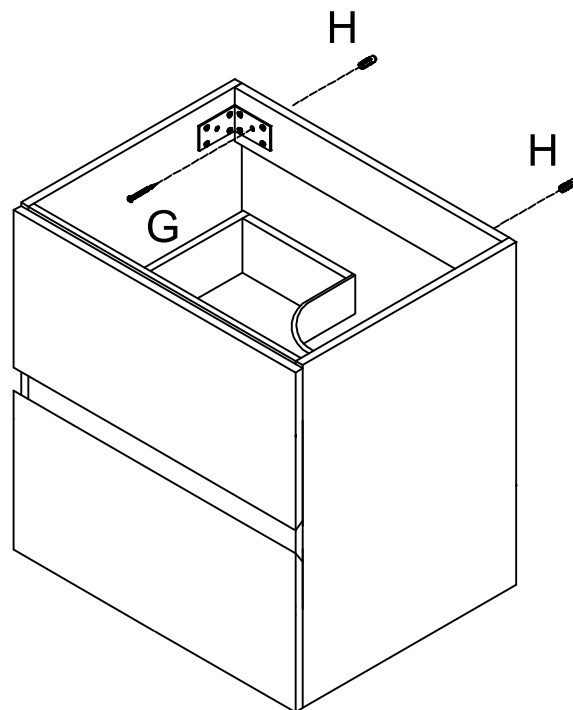
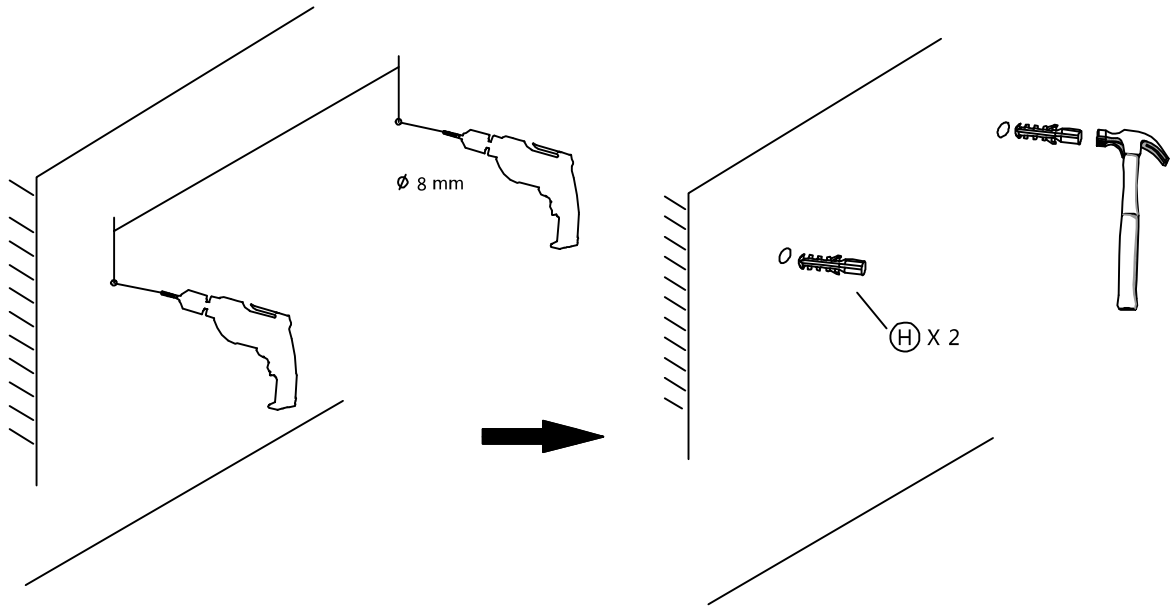
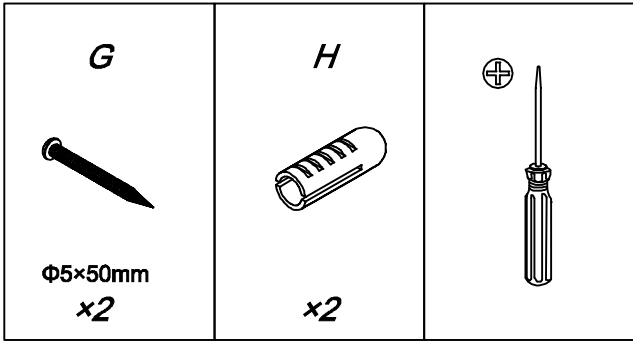


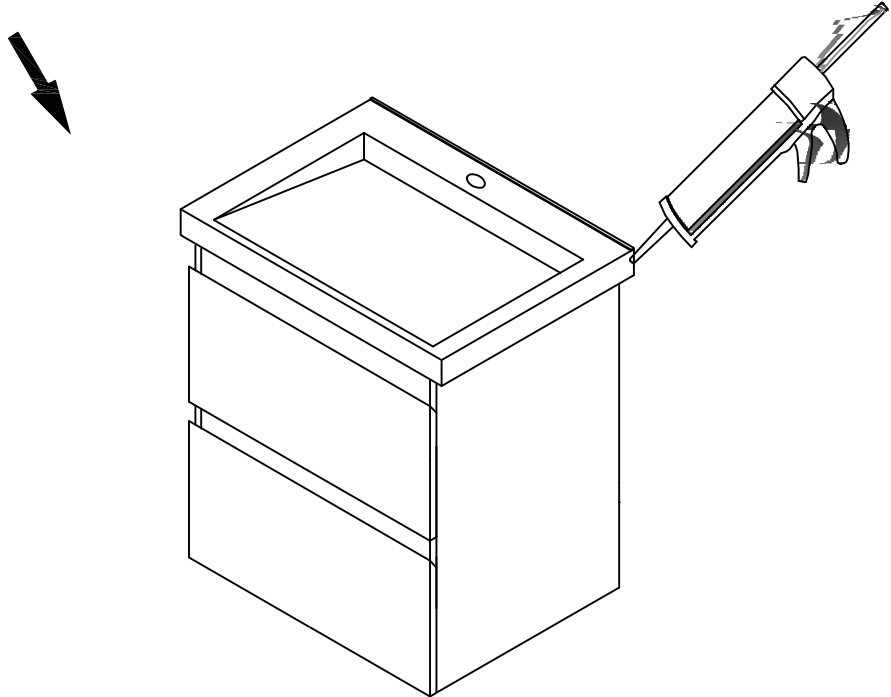
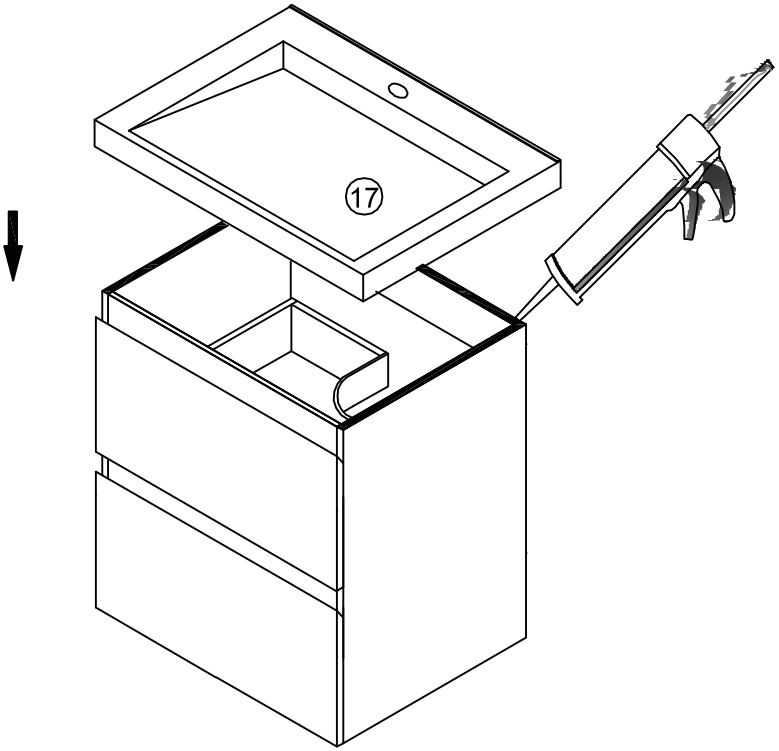


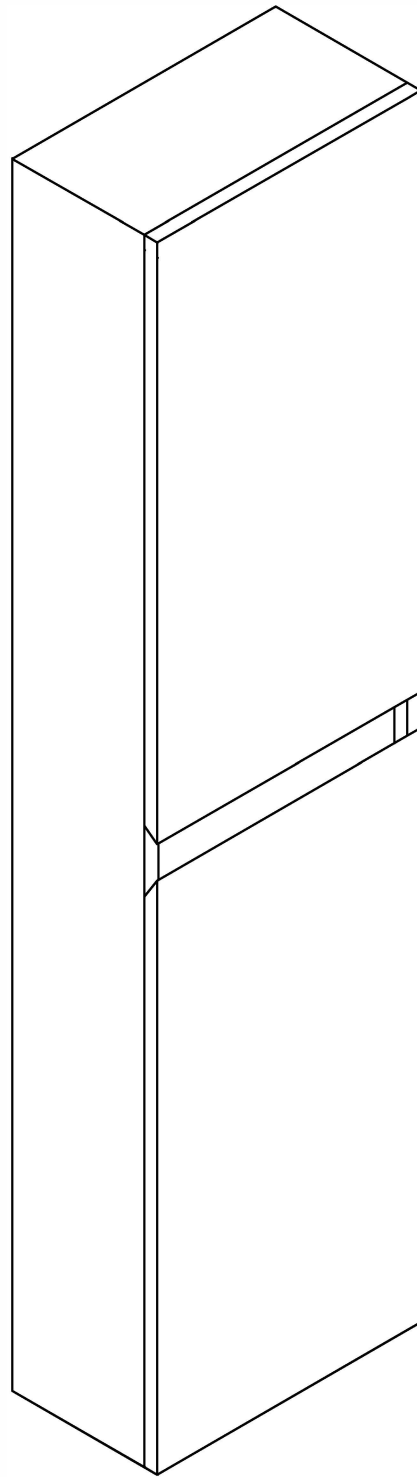




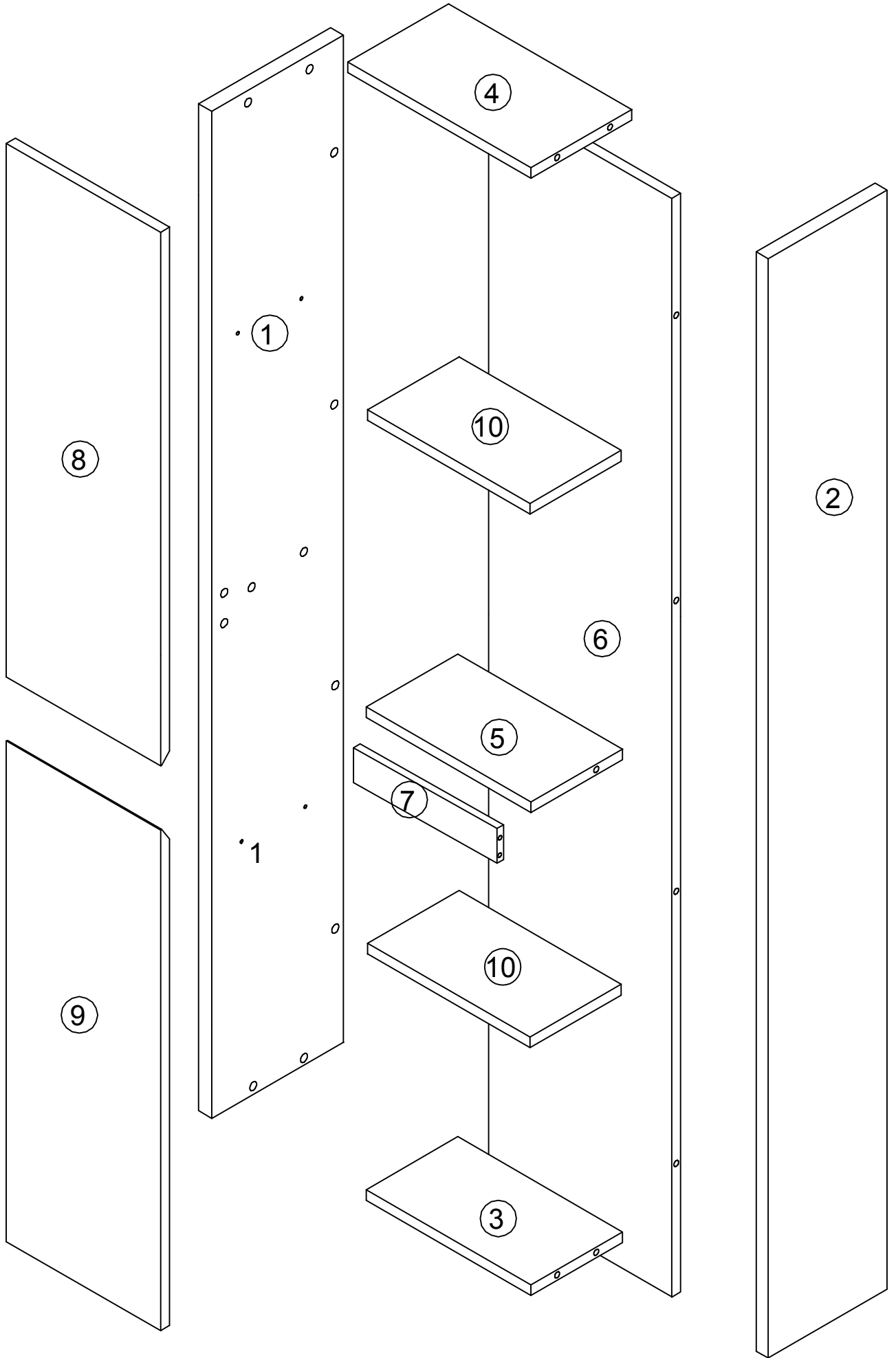









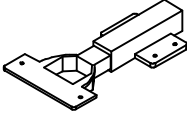









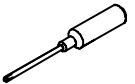
— INSTRUCTION MANUAL —

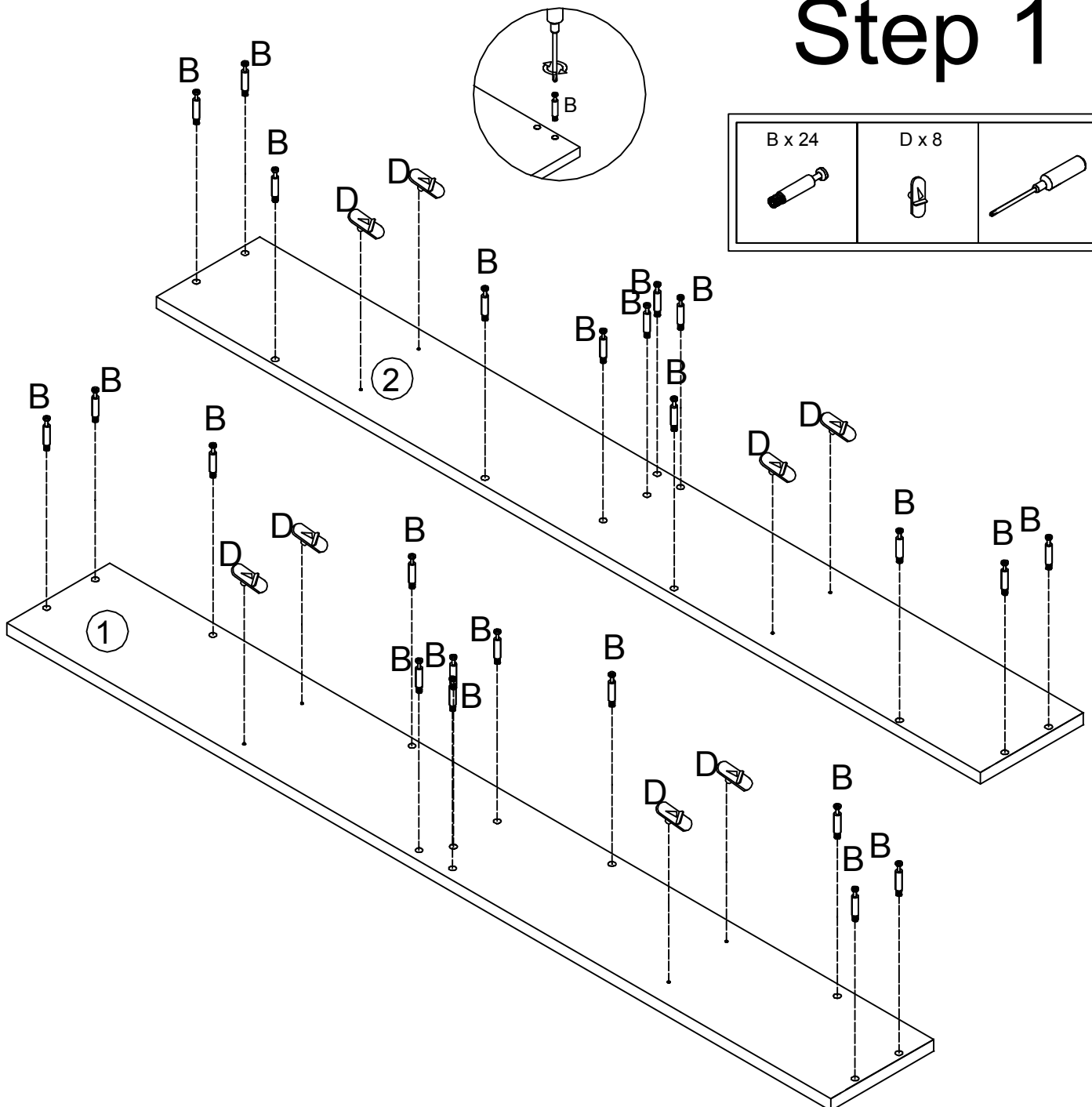


List of Hardware fittings

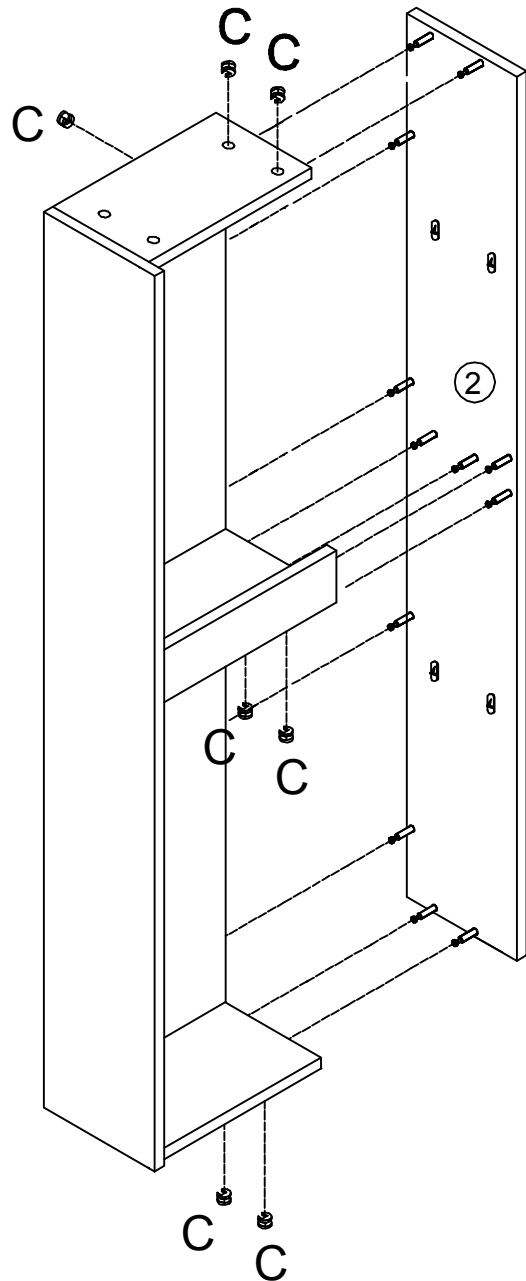
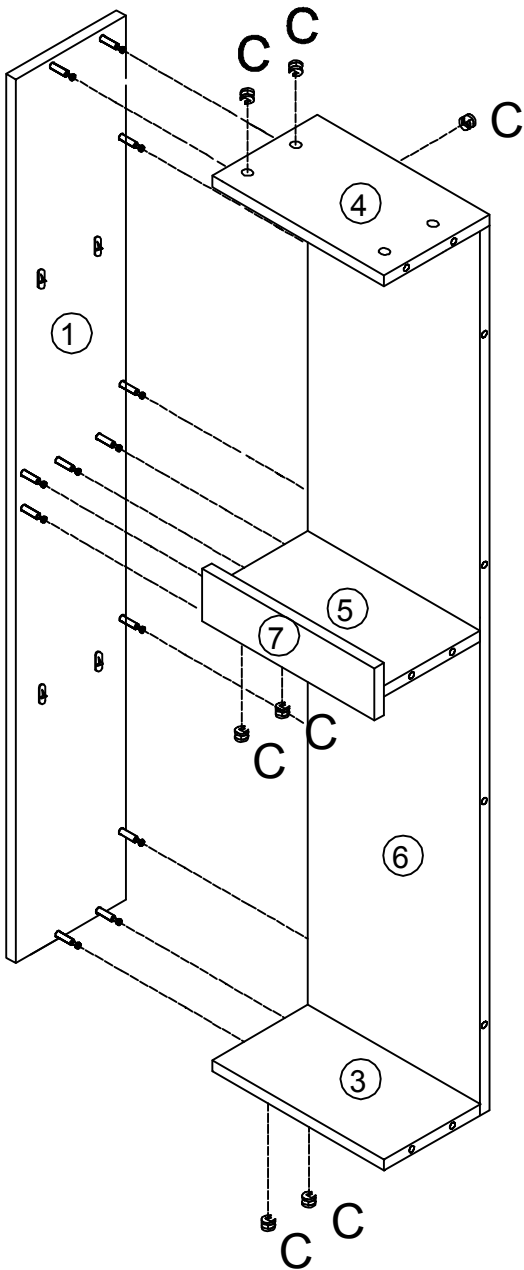
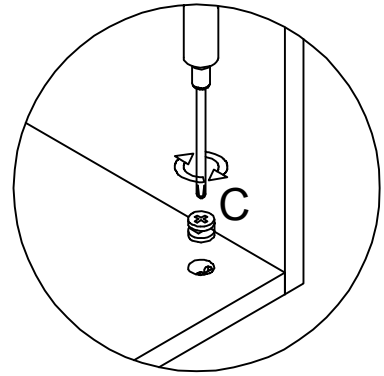
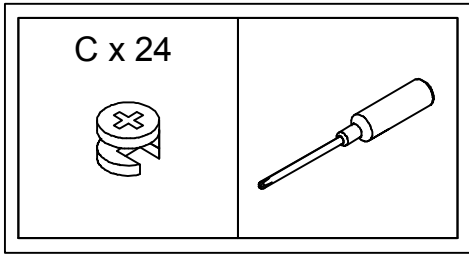
B x 24 	C x 24 	D x 8 	E x 2  50 mm	F x 2  8 mm
G x 4 	I x 24  14 mm	L x 2 	M x 2  Cap	

Step 1

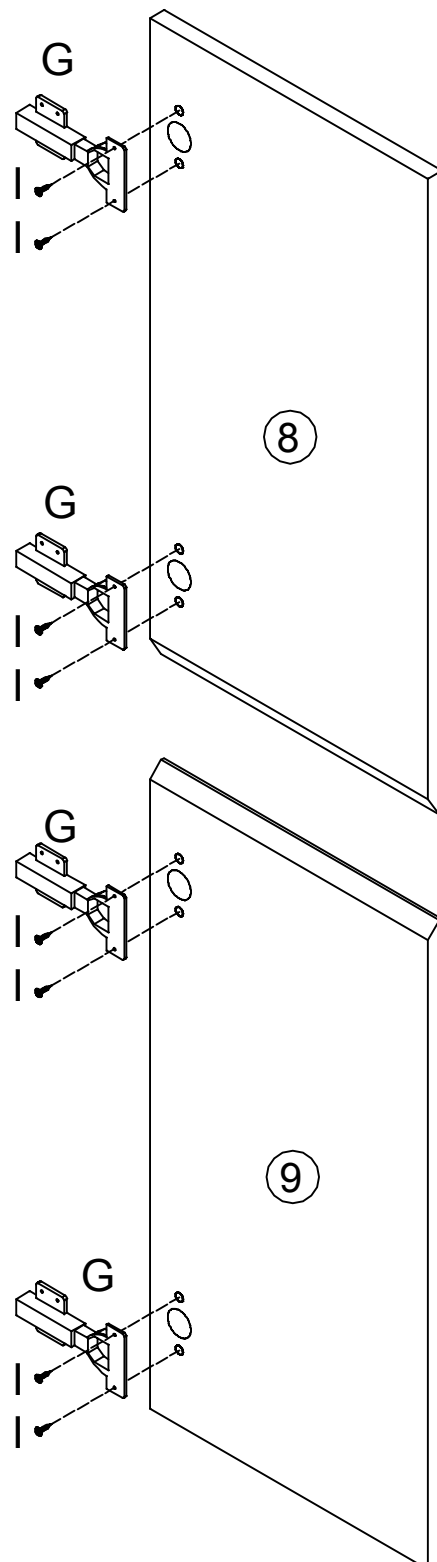
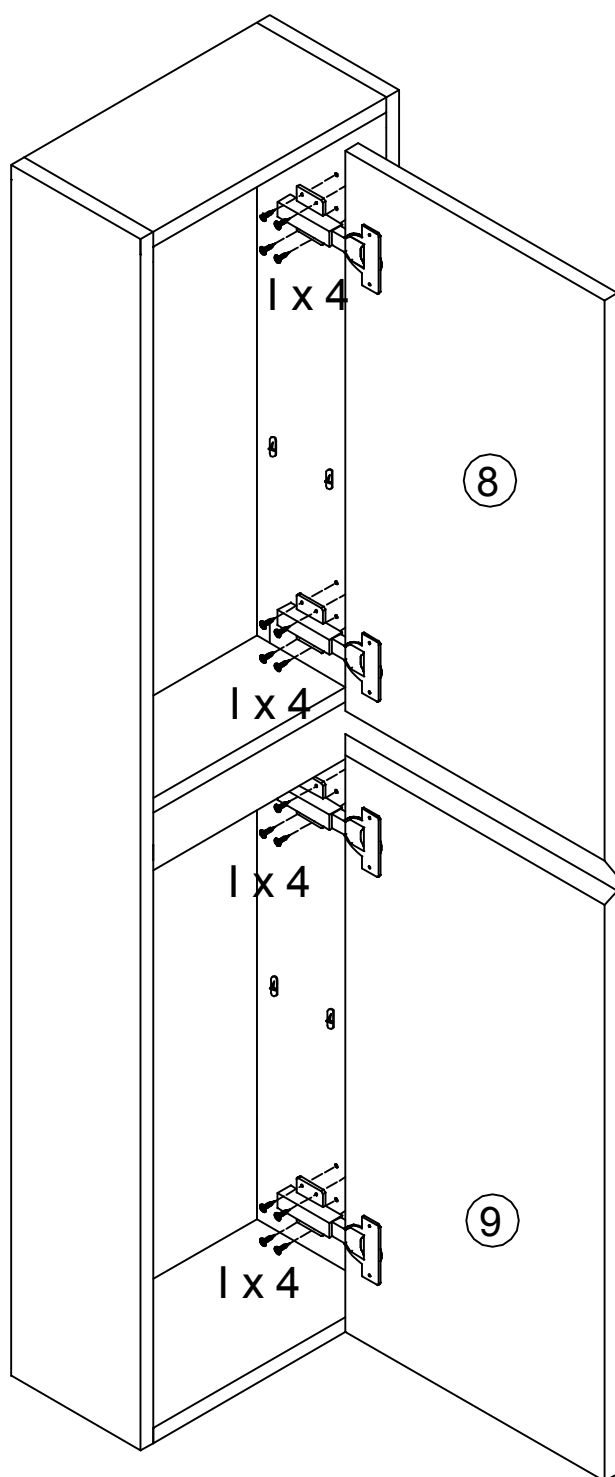
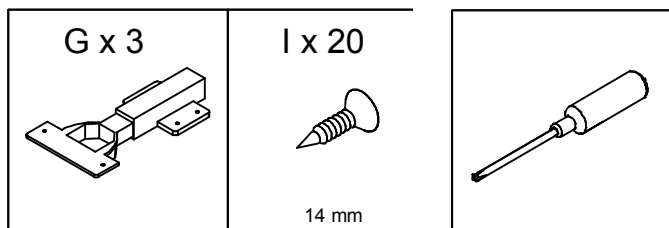
B x 24 	D x 8 	
--	---	--



Step 2



Step 3



Step 4

