



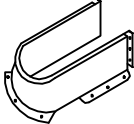



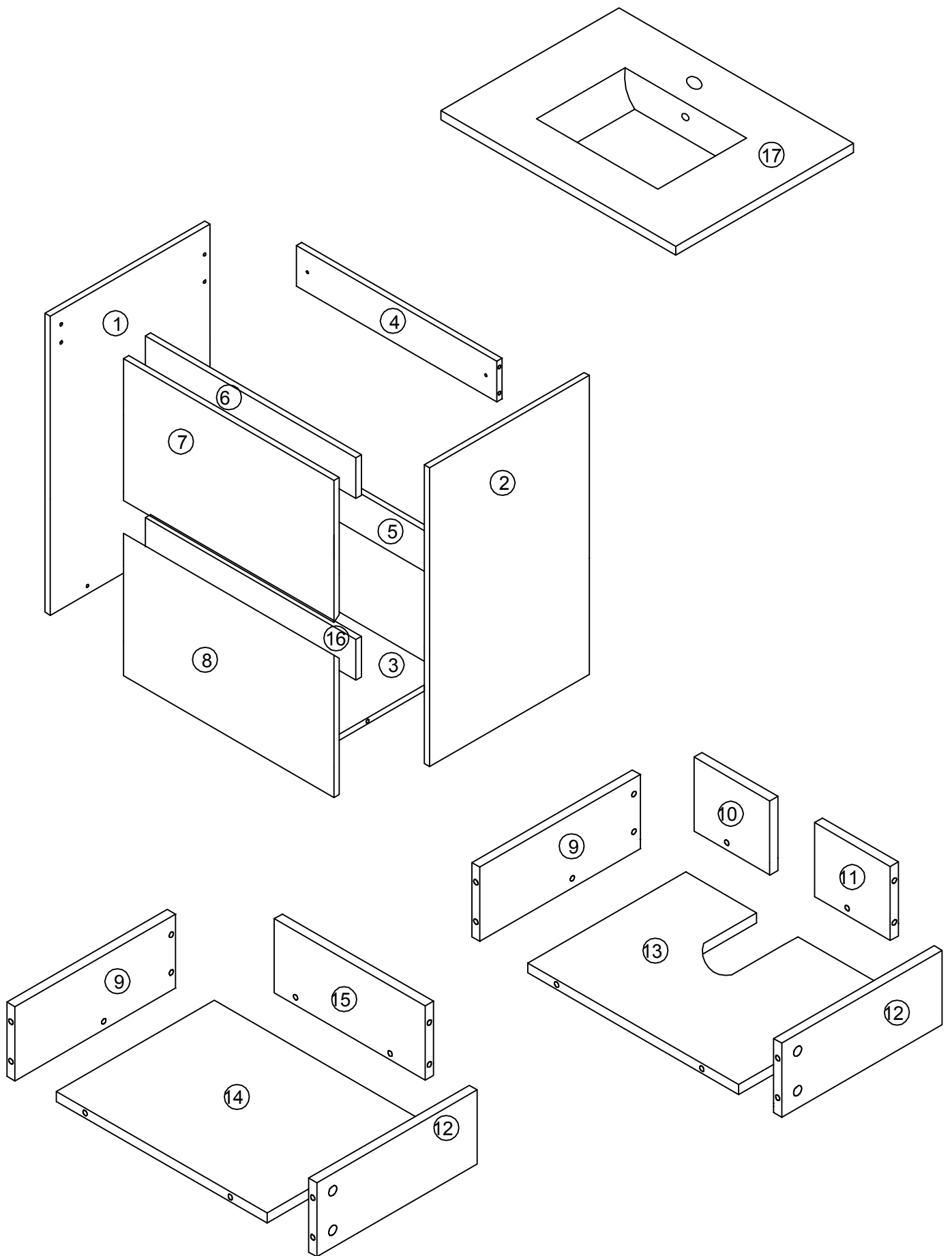
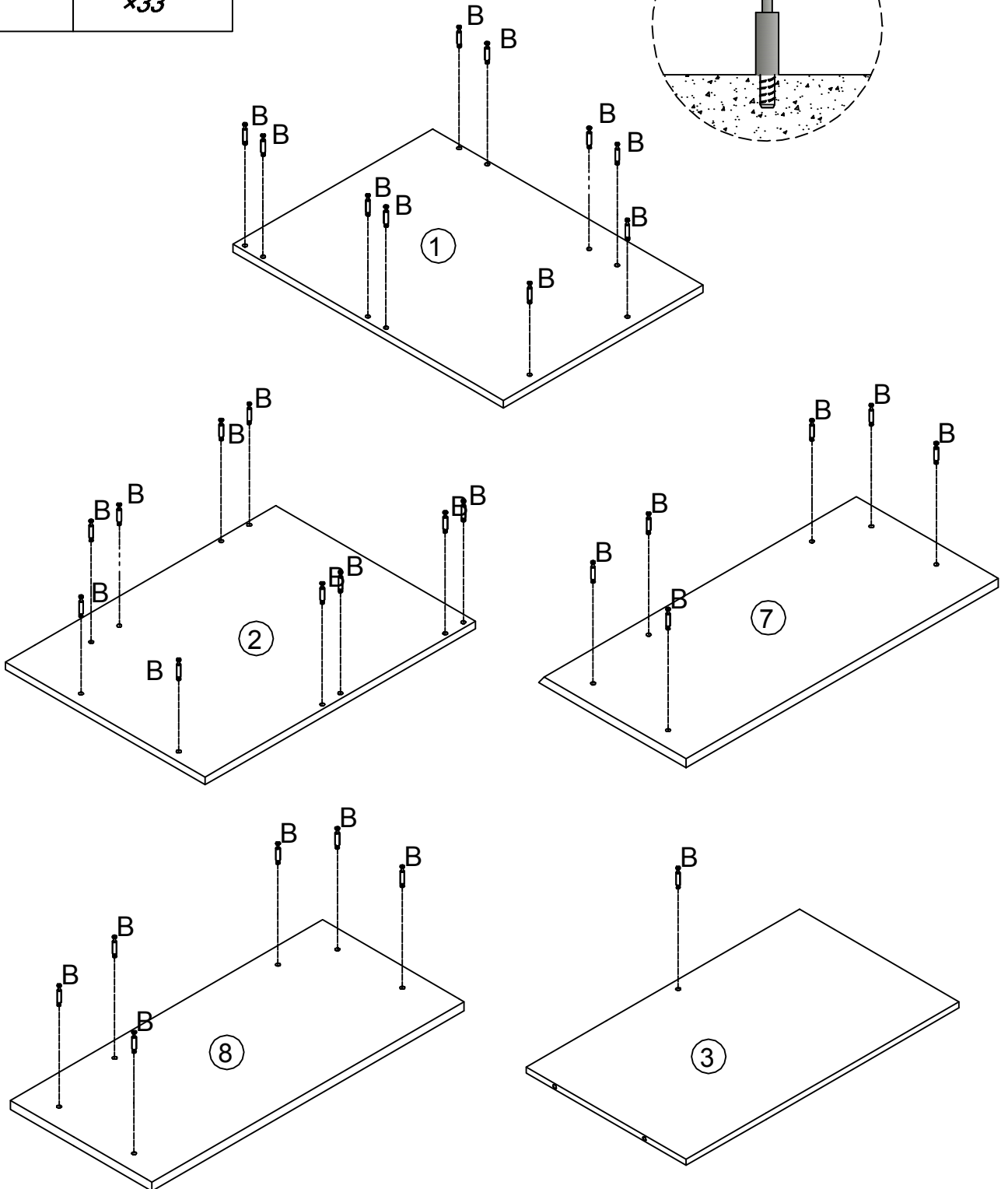
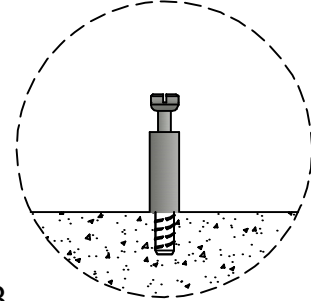
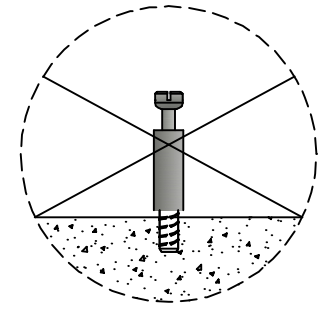
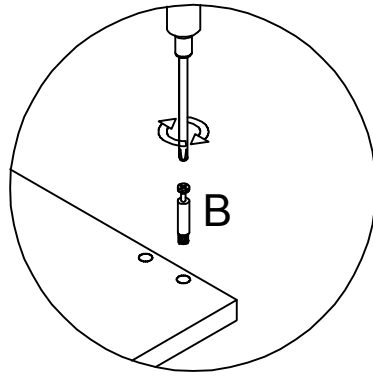
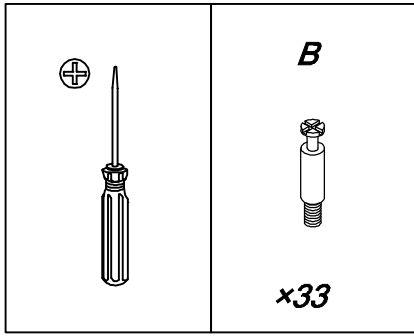
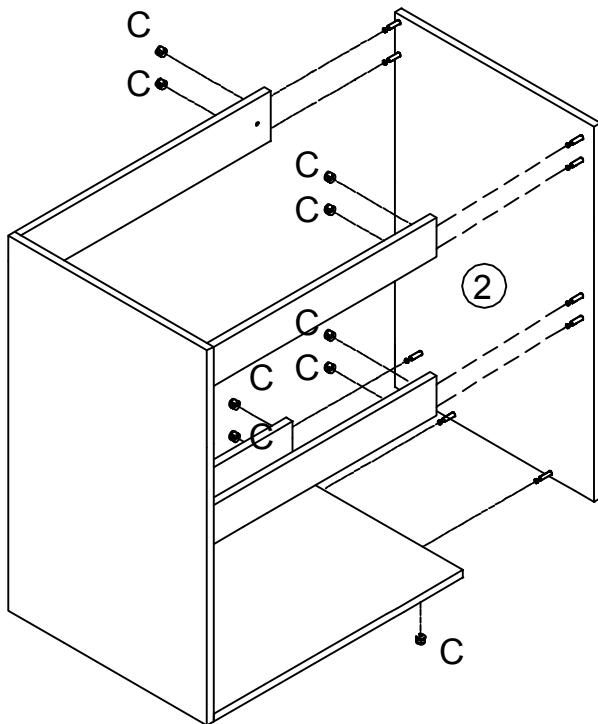
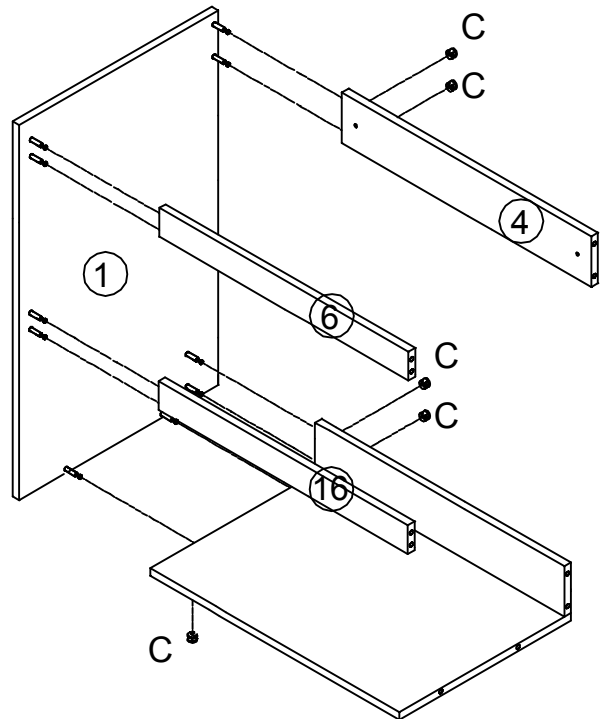
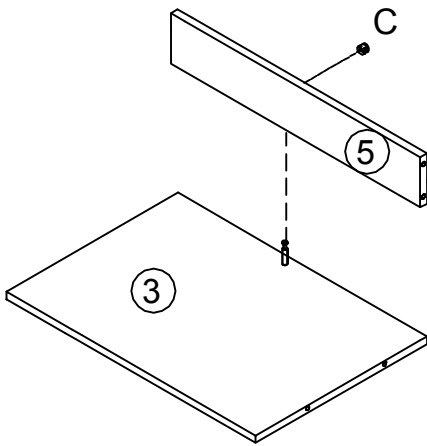
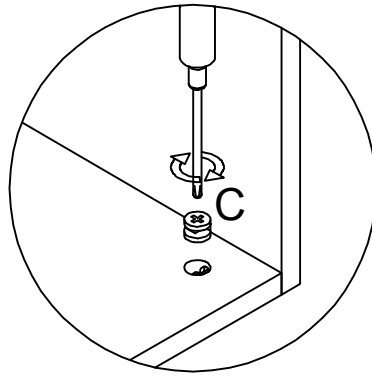
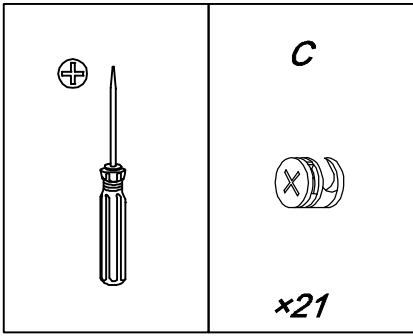
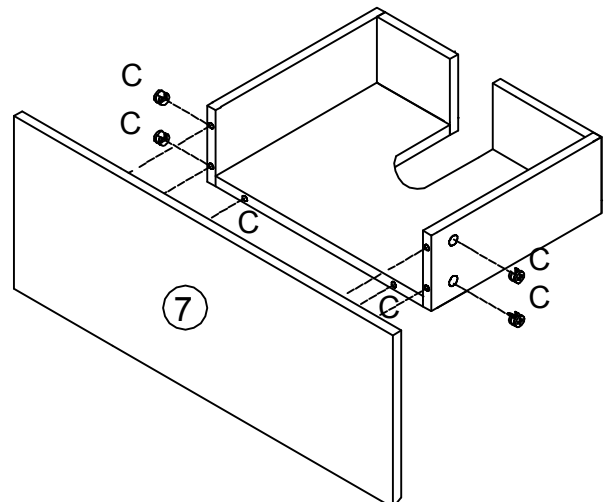
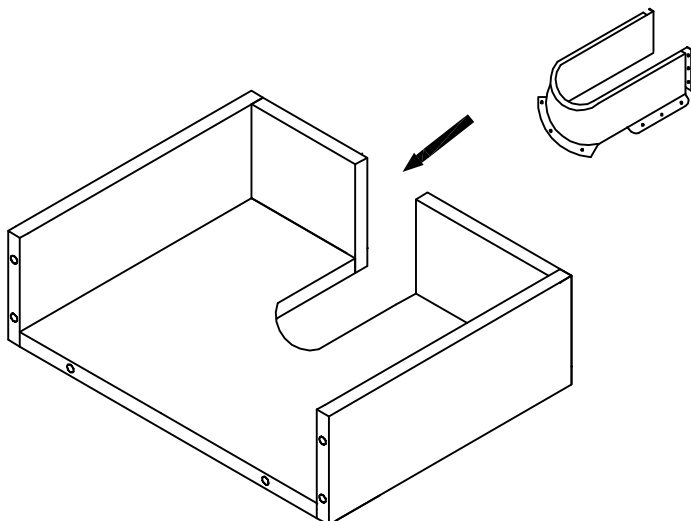
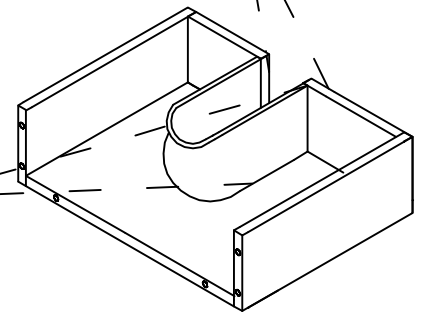
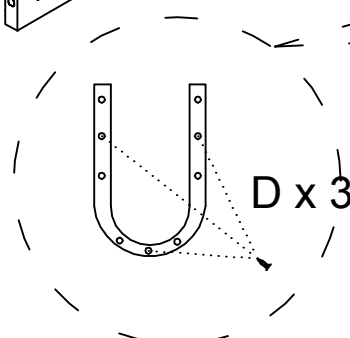
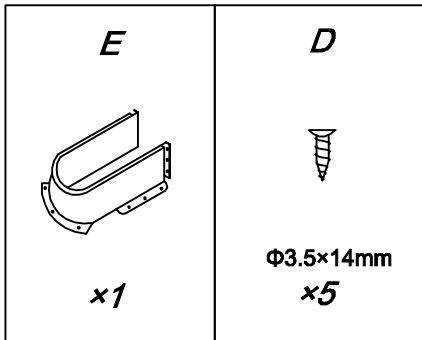
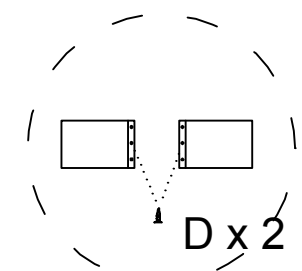
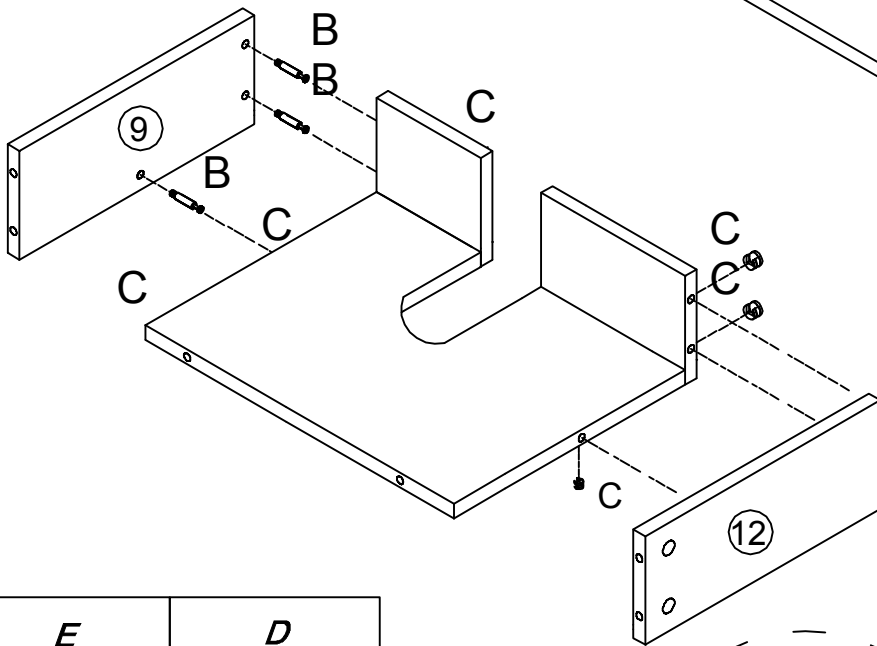
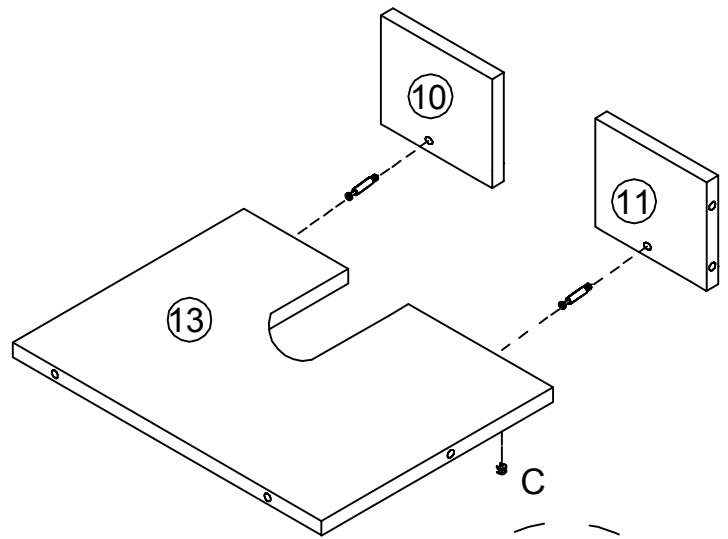
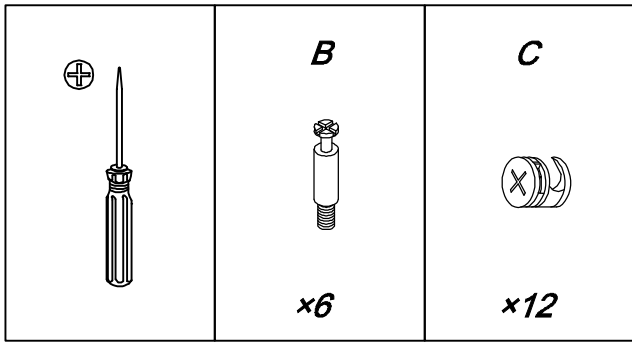


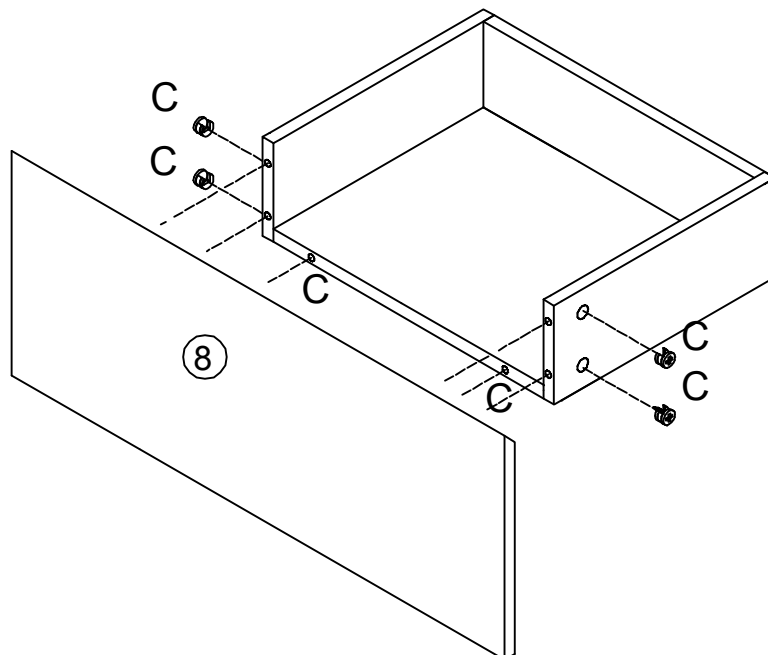
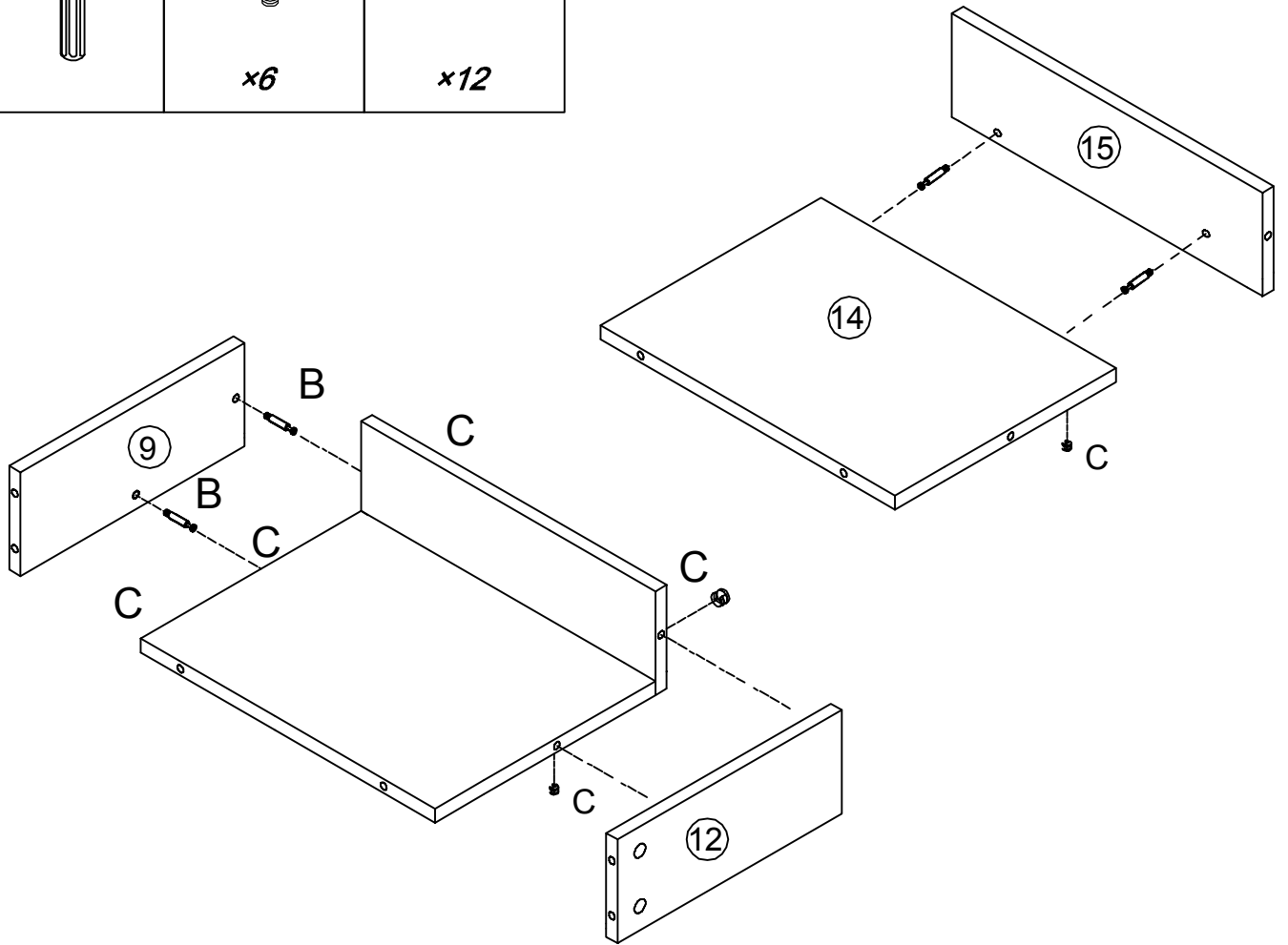
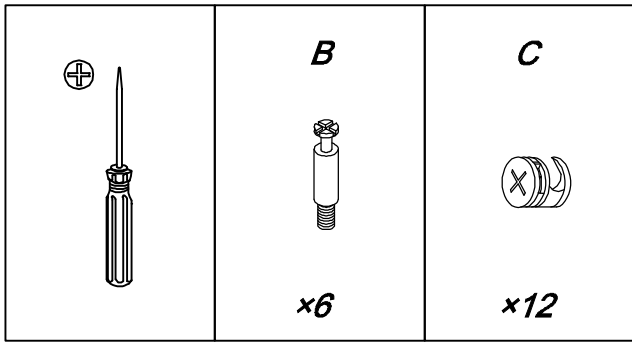
<p>A</p>  <p>x4</p>	<p>B</p>  <p>x49</p>	<p>C</p>  <p>x49</p>	<p>D</p>  <p>$\Phi 3.5 \times 14\text{mm}$ x37</p>
<p>E</p>  <p>x1</p>	<p>F</p>  <p>x2</p>	<p>G</p>  <p>$\Phi 5 \times 50\text{mm}$ x2</p>	<p>H</p>  <p>x2</p>

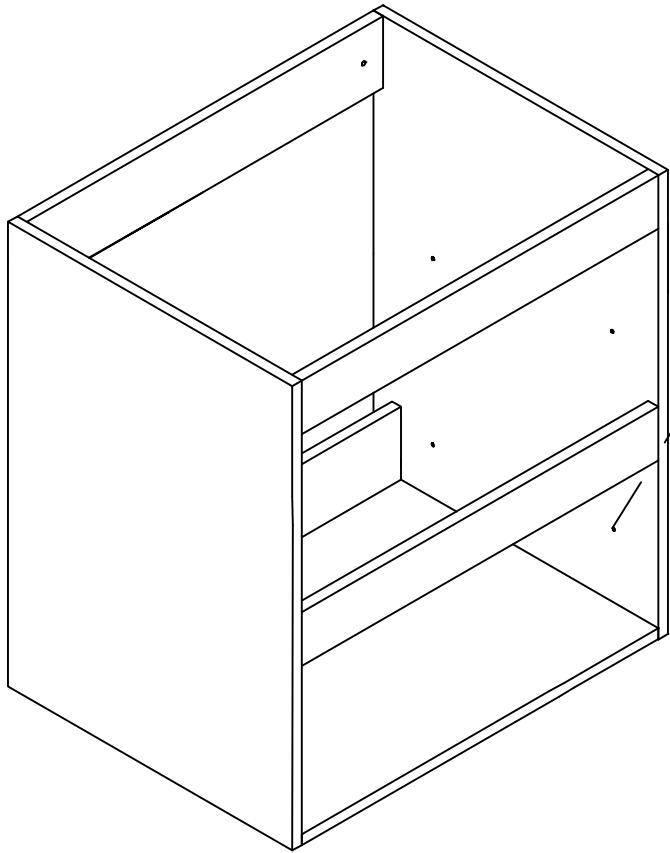
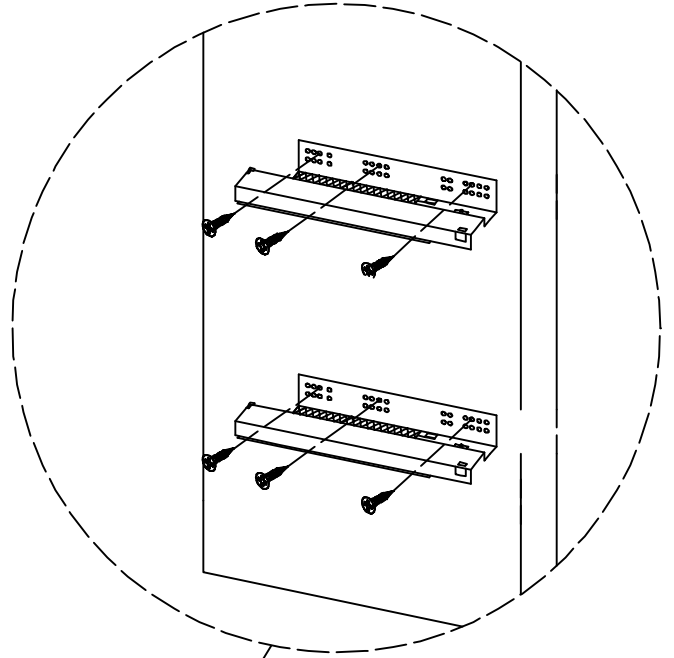
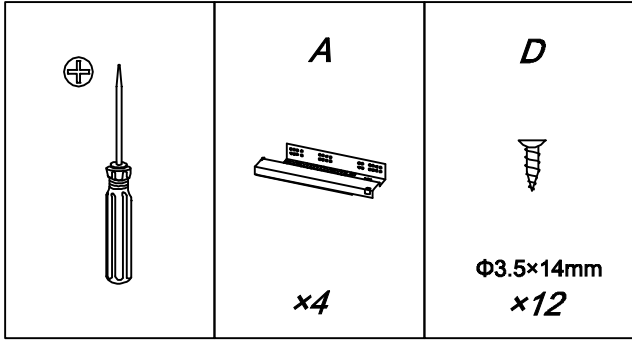


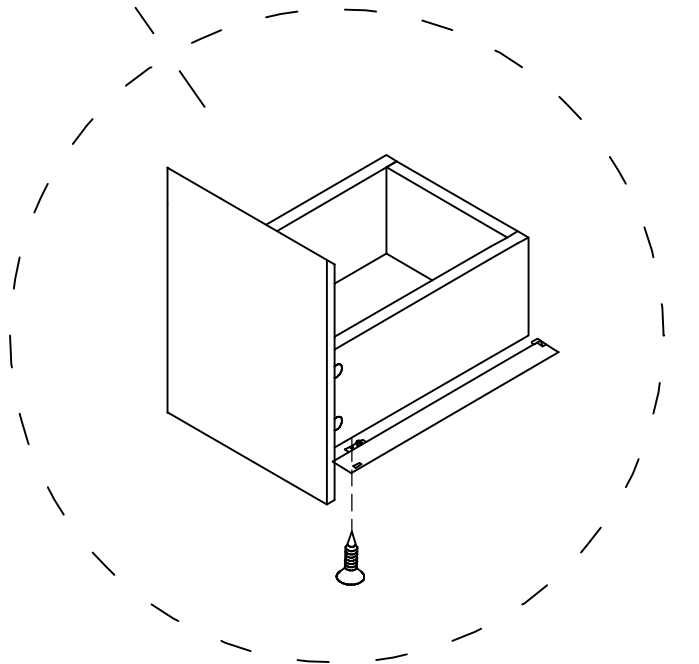
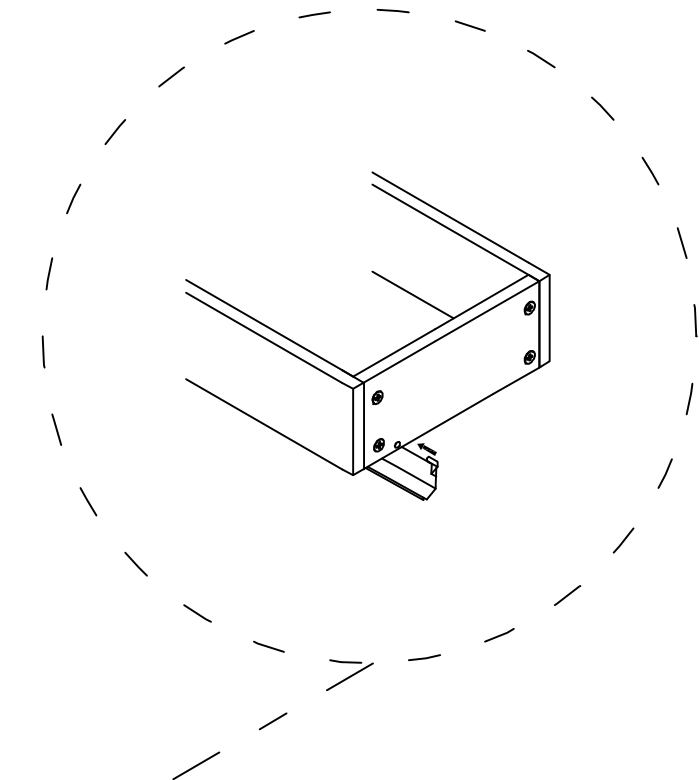
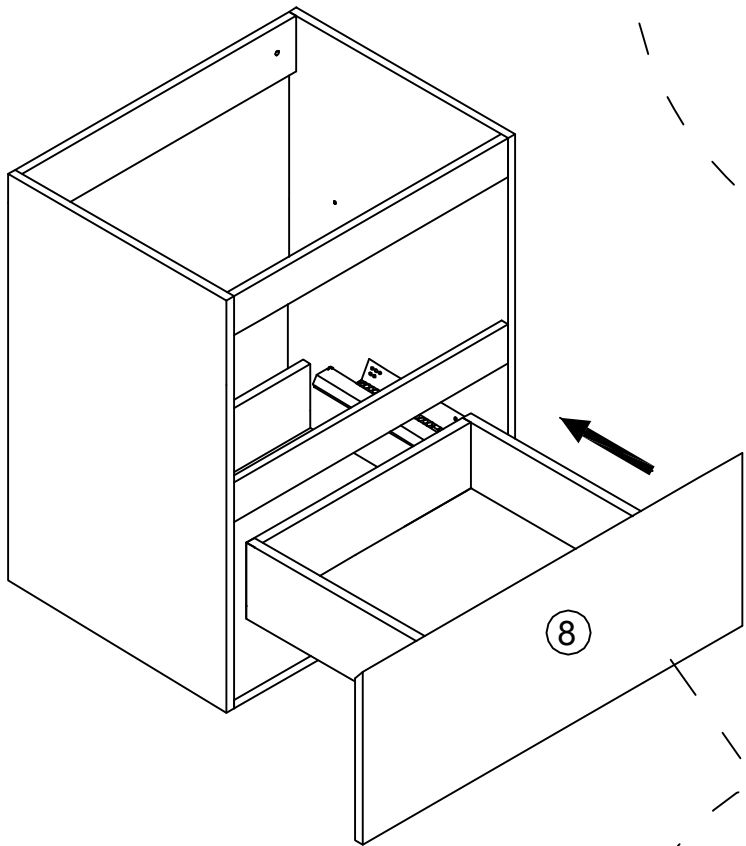
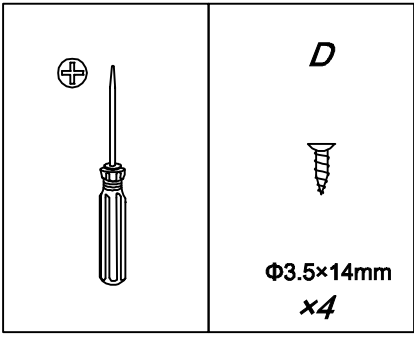


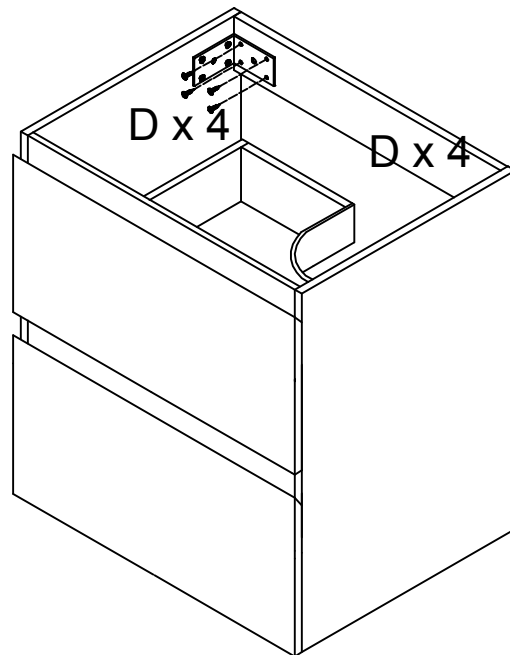
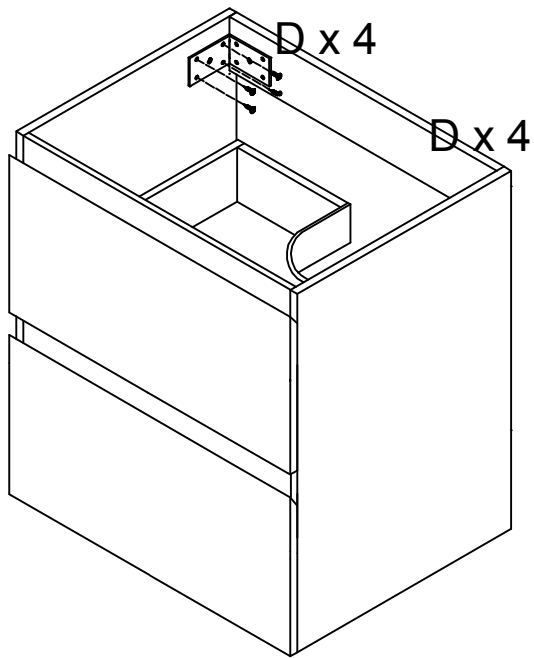
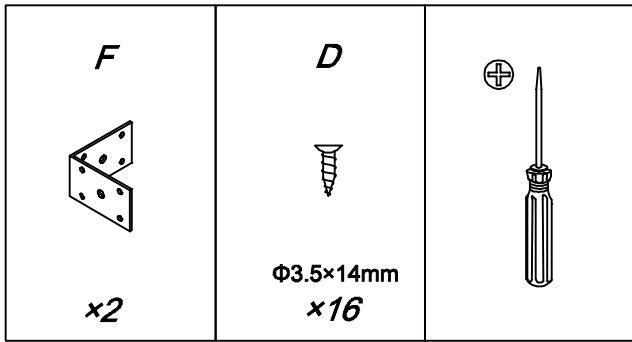


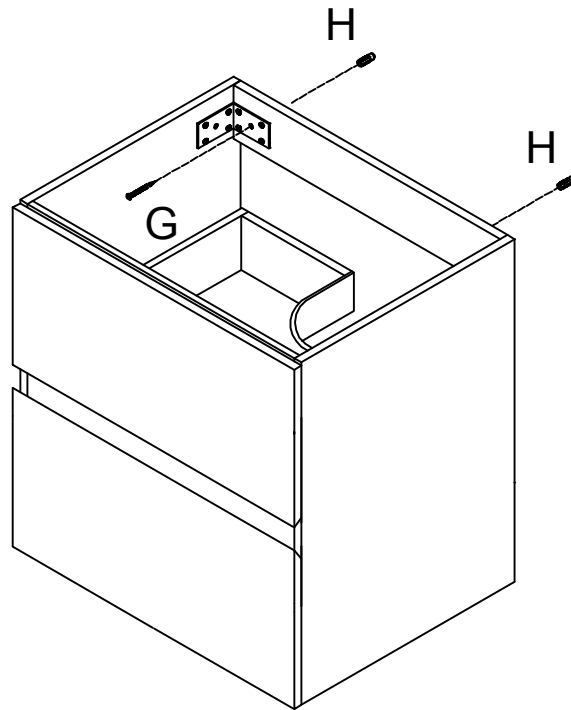
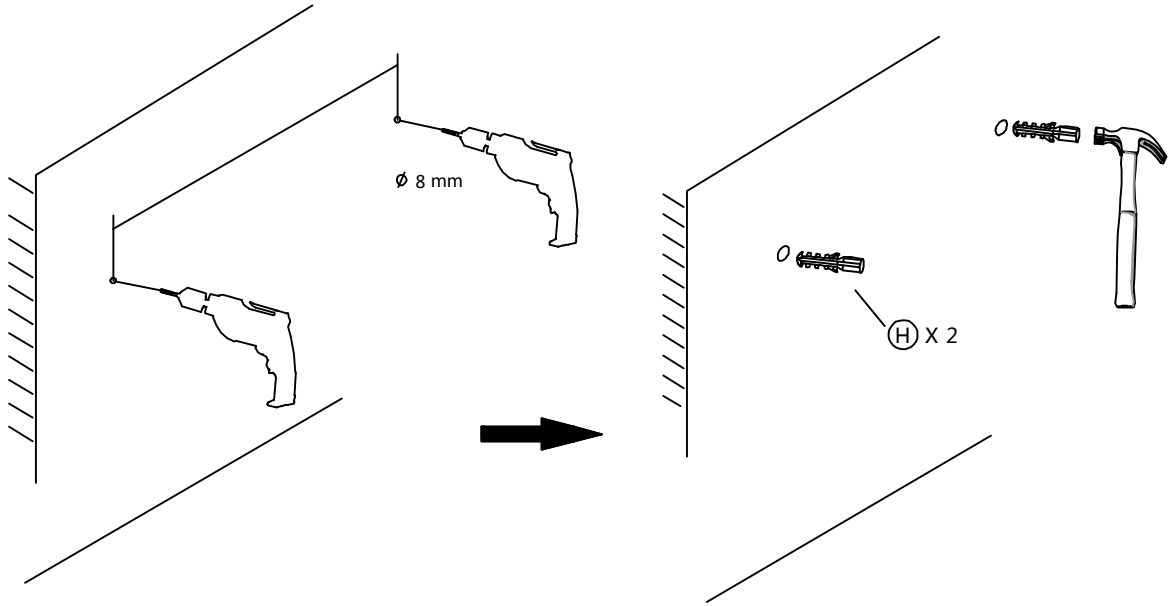
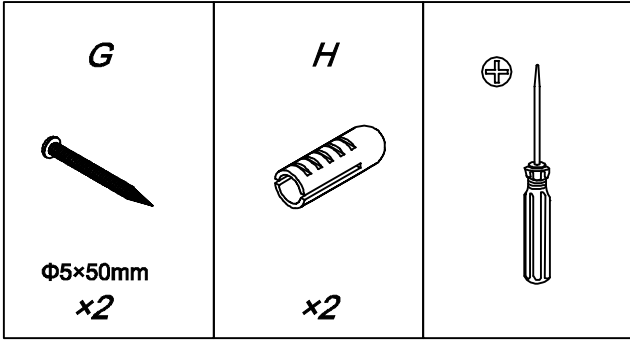


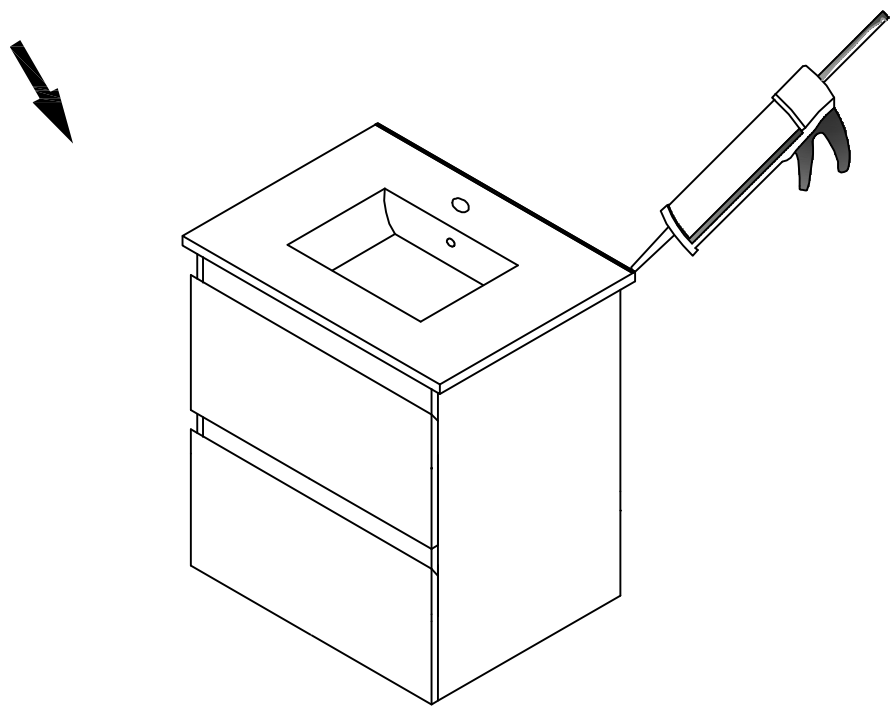
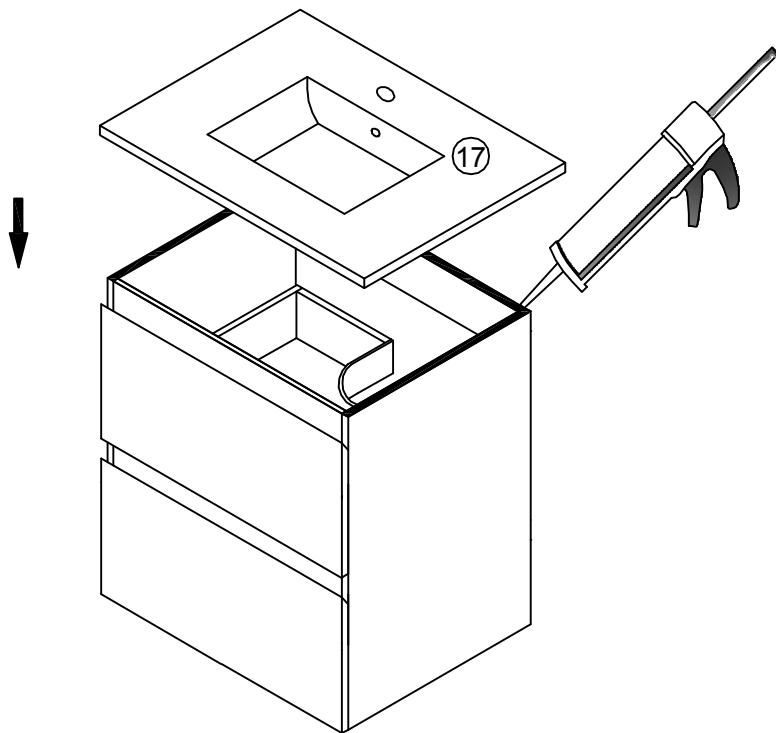


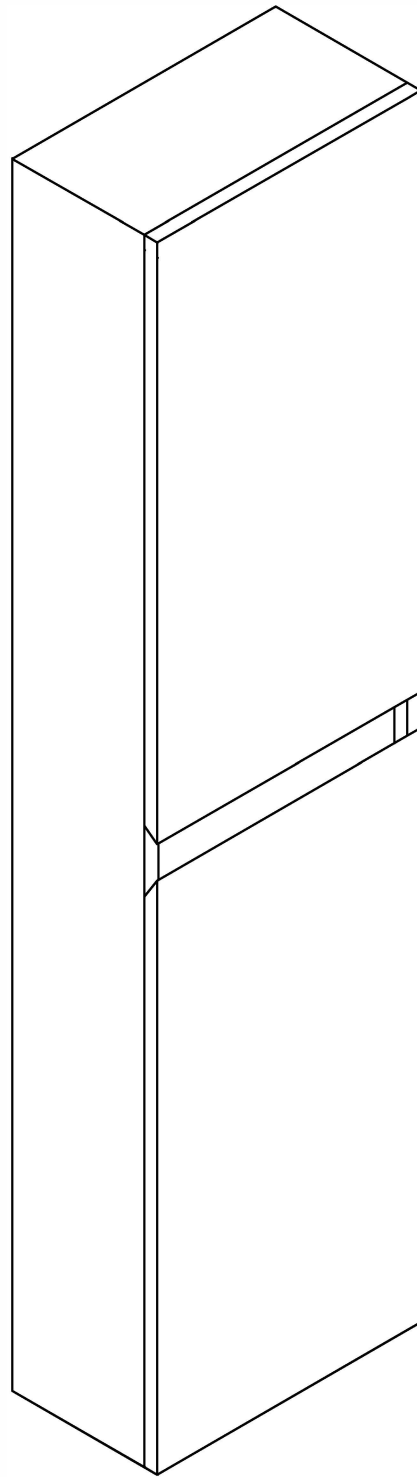




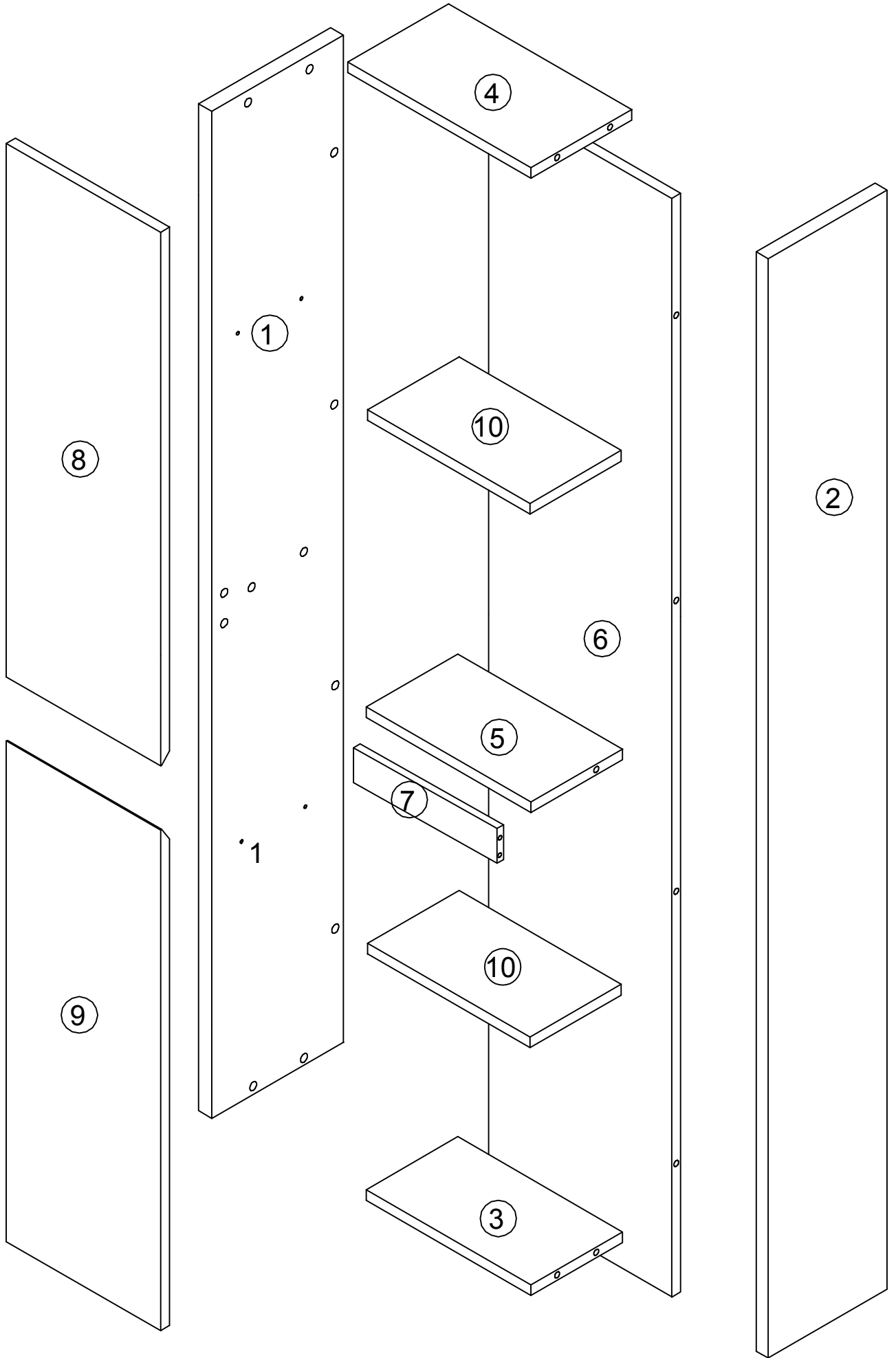









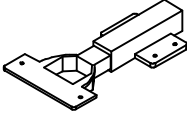









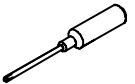
— INSTRUCTION MANUAL —

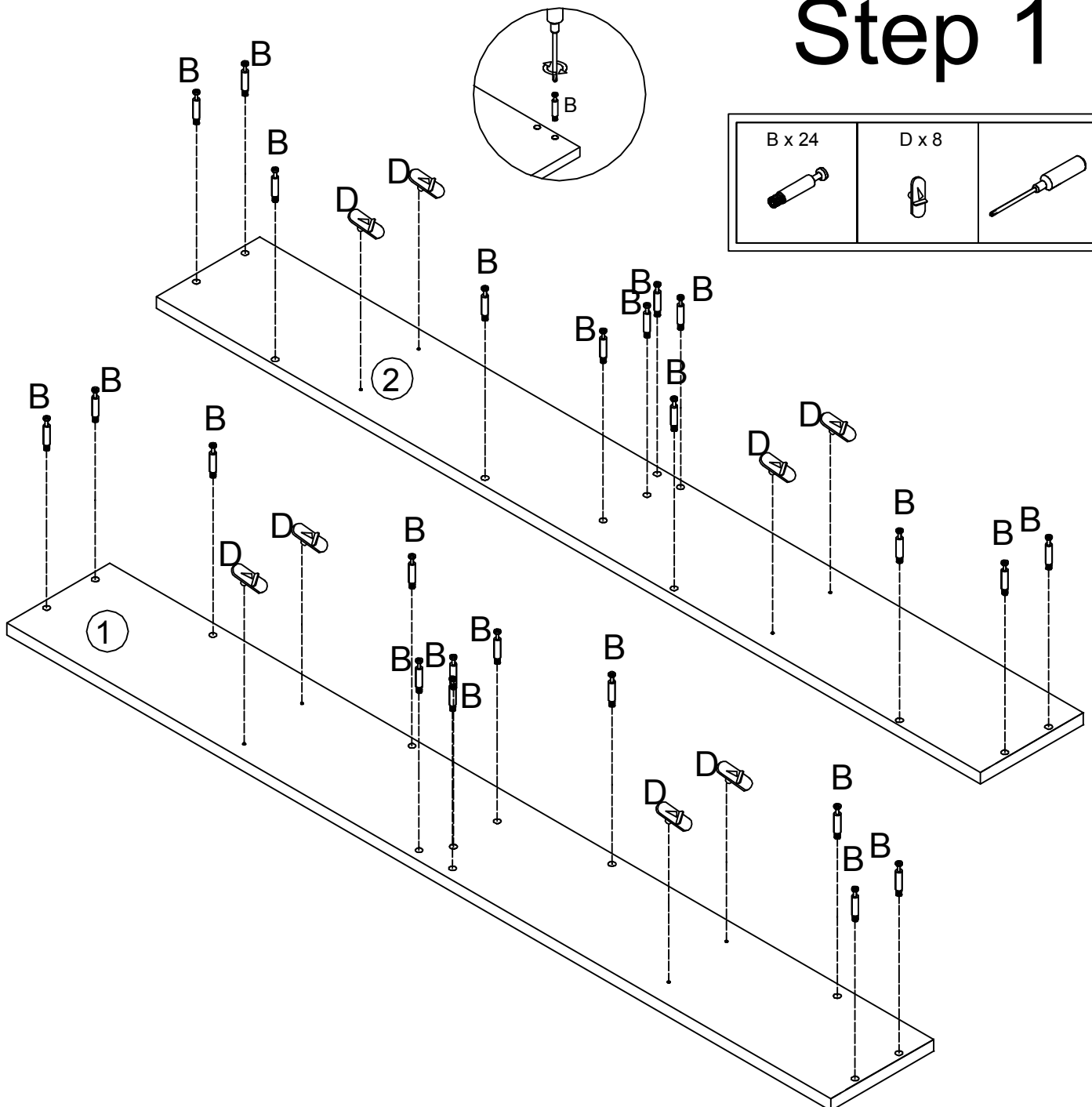


List of Hardware fittings

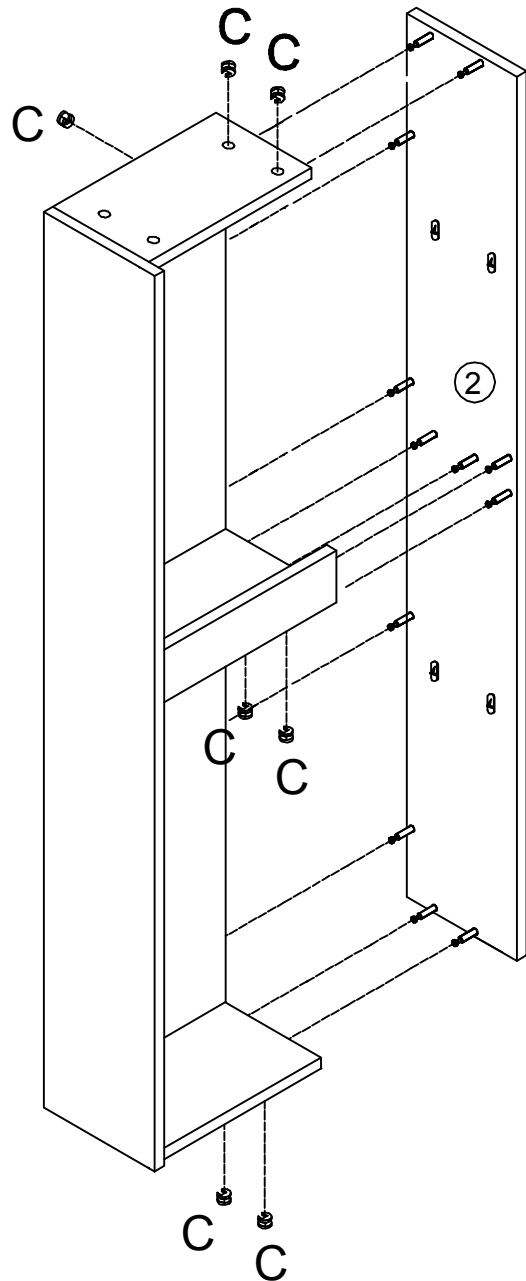
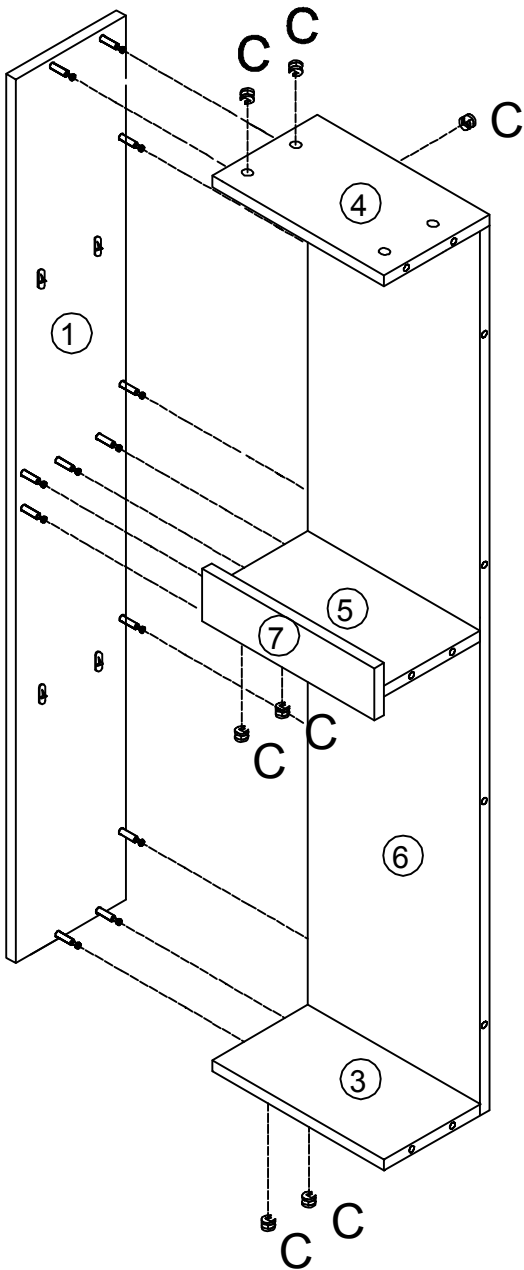
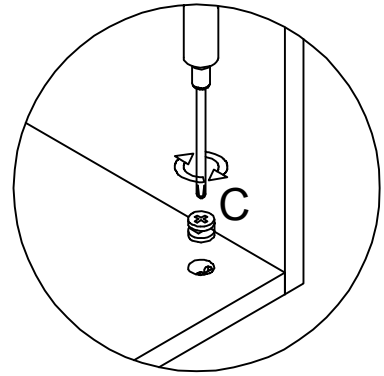
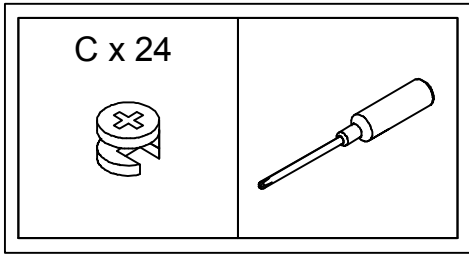
B x 24 	C x 24 	D x 8 	E x 2  50 mm	F x 2  8 mm
G x 4 	I x 24  14 mm	L x 2 	M x 2  Cap	

Step 1

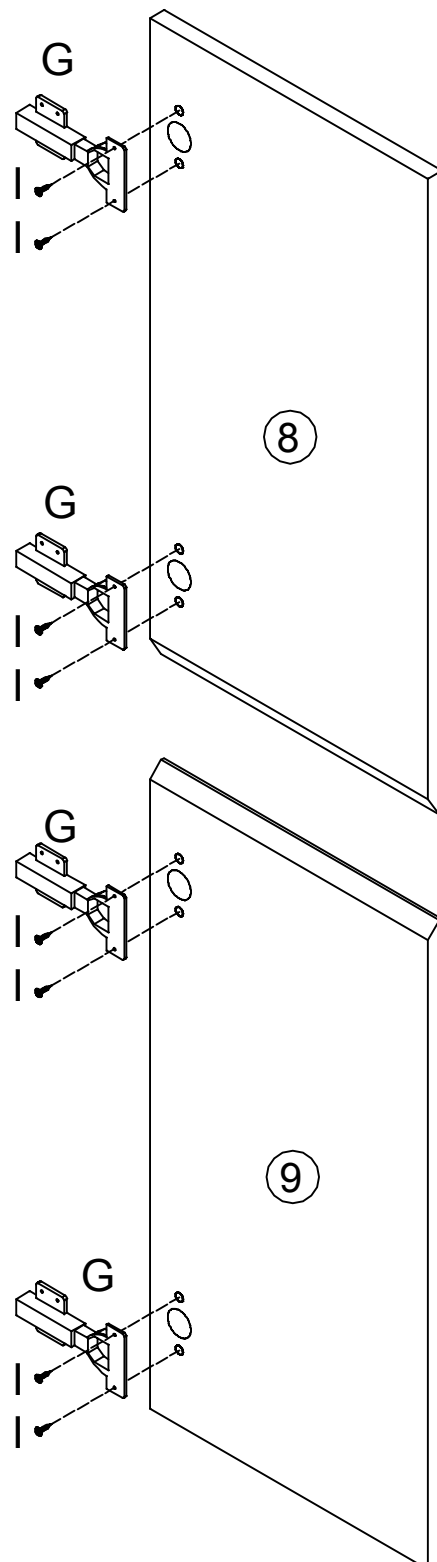
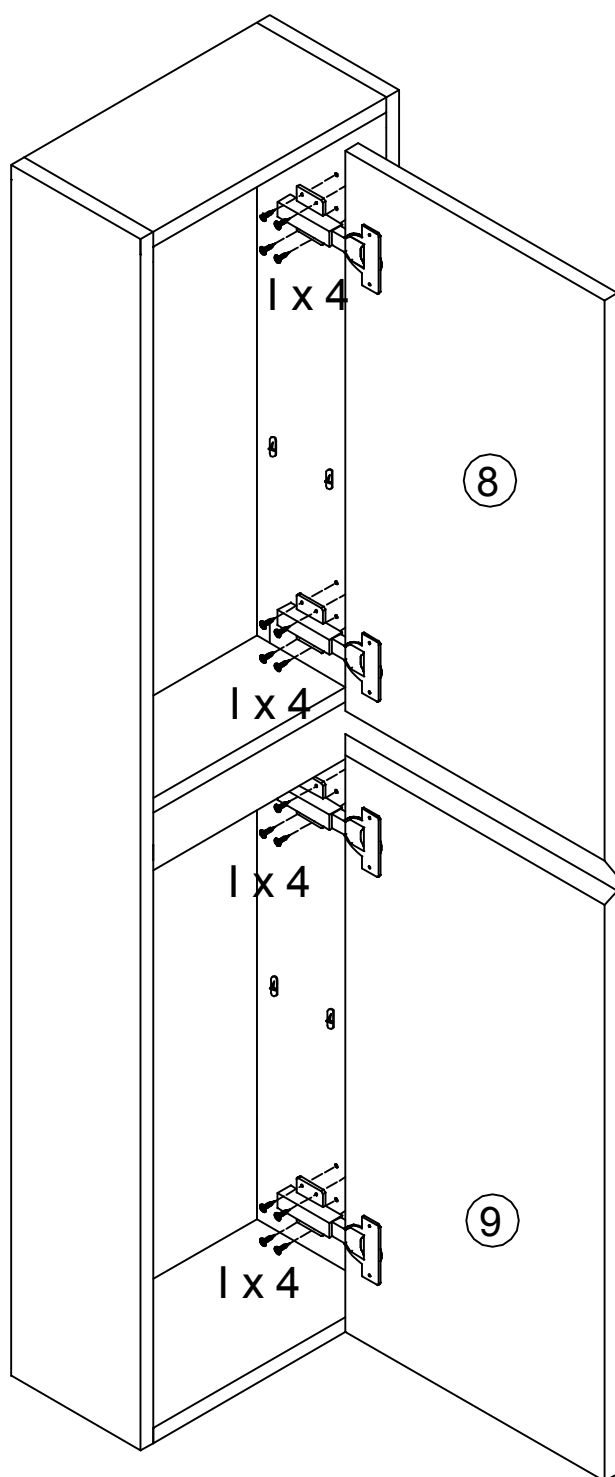
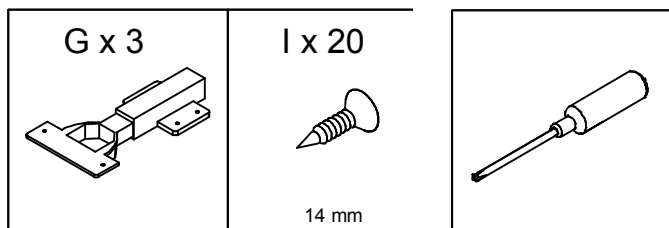
B x 24 	D x 8 	
--	---	--



Step 2



Step 3



Step 4

