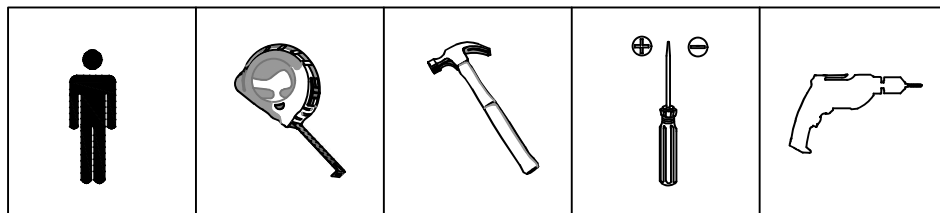
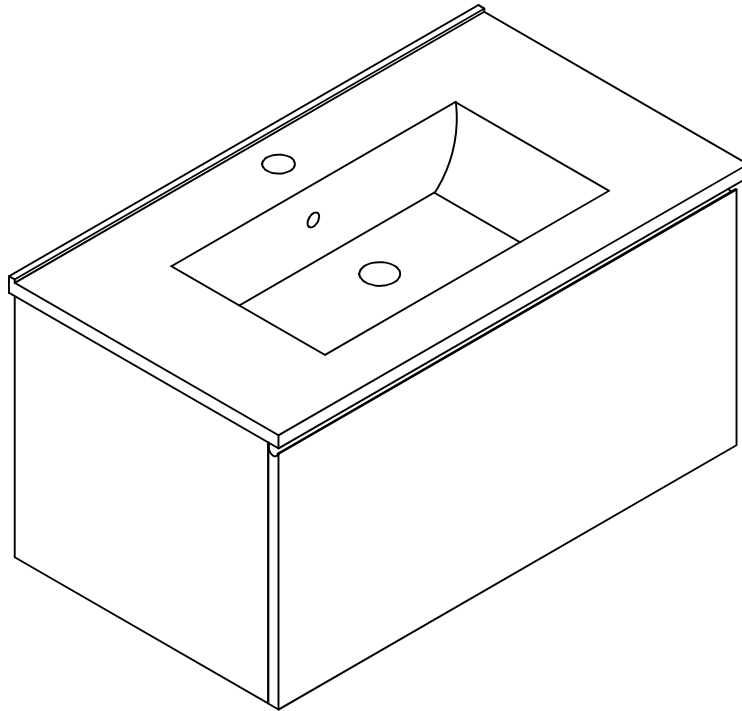
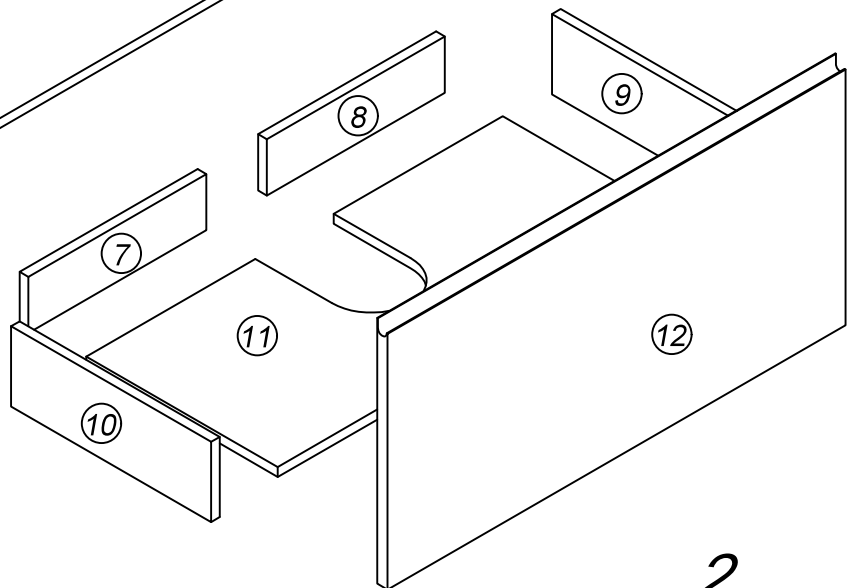
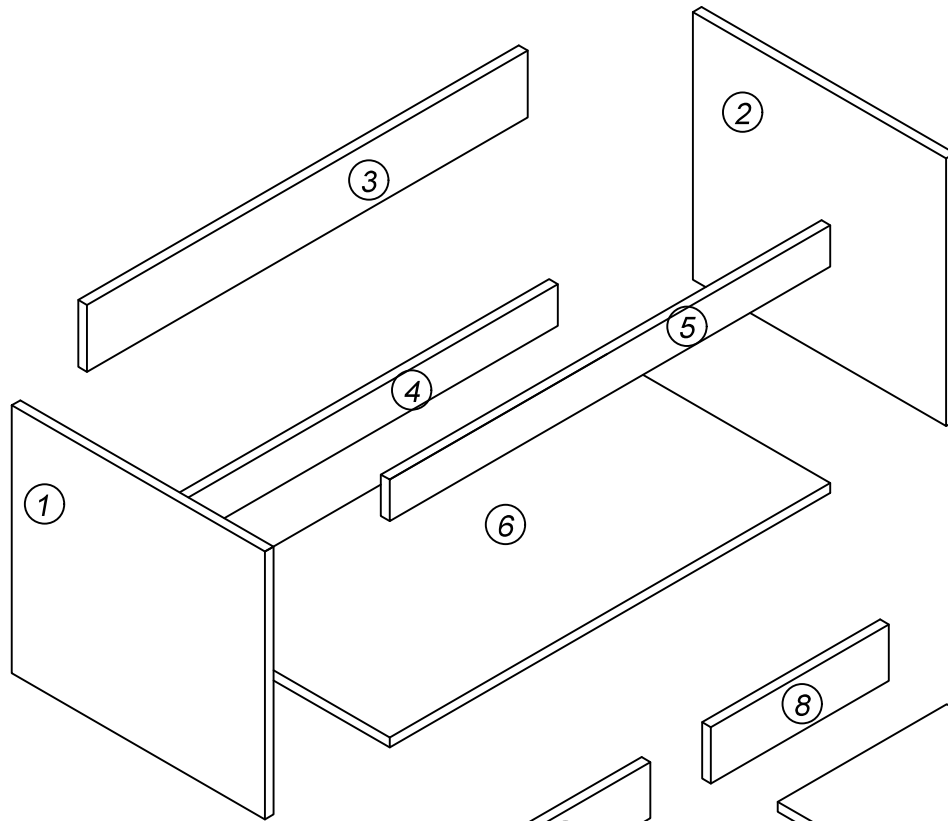
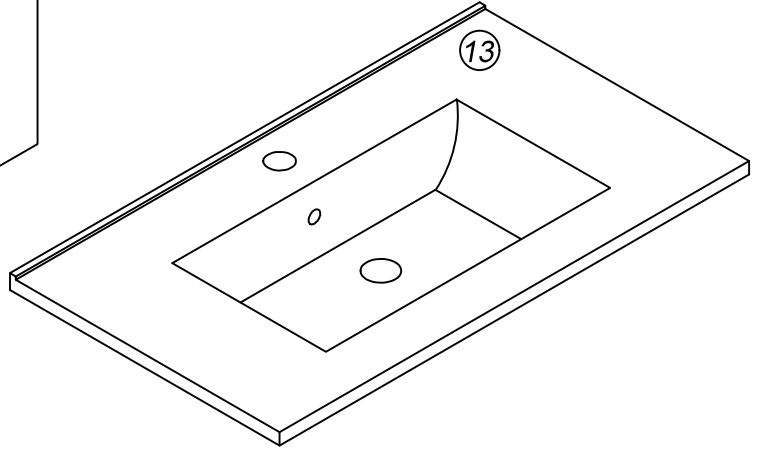
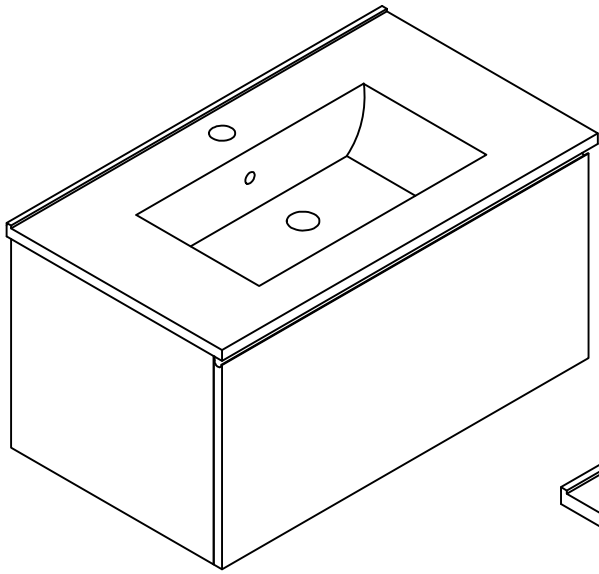
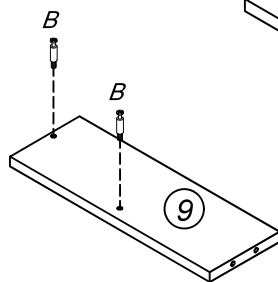
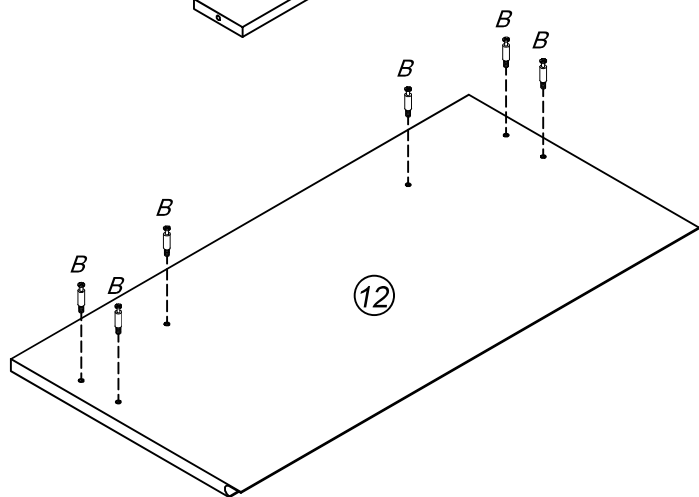
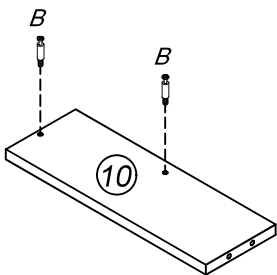
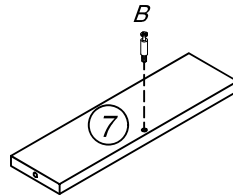
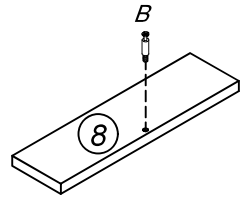
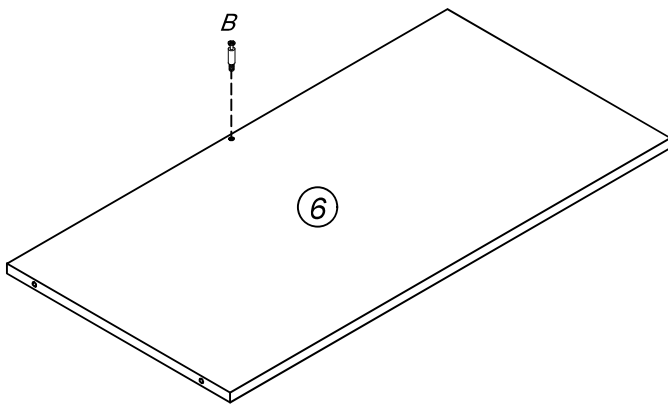
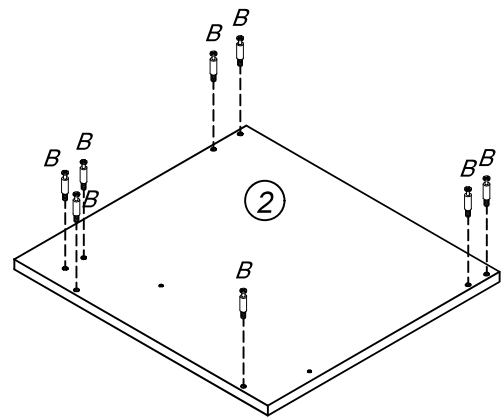
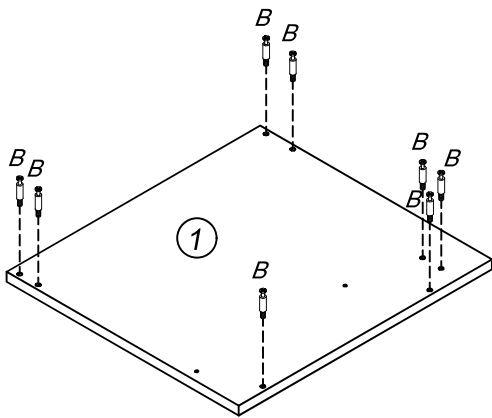
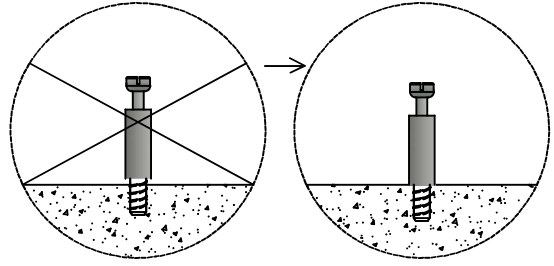
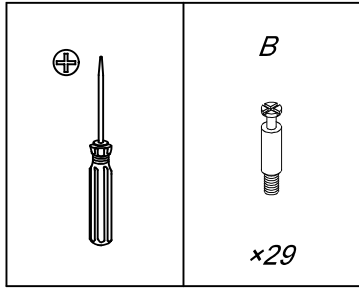


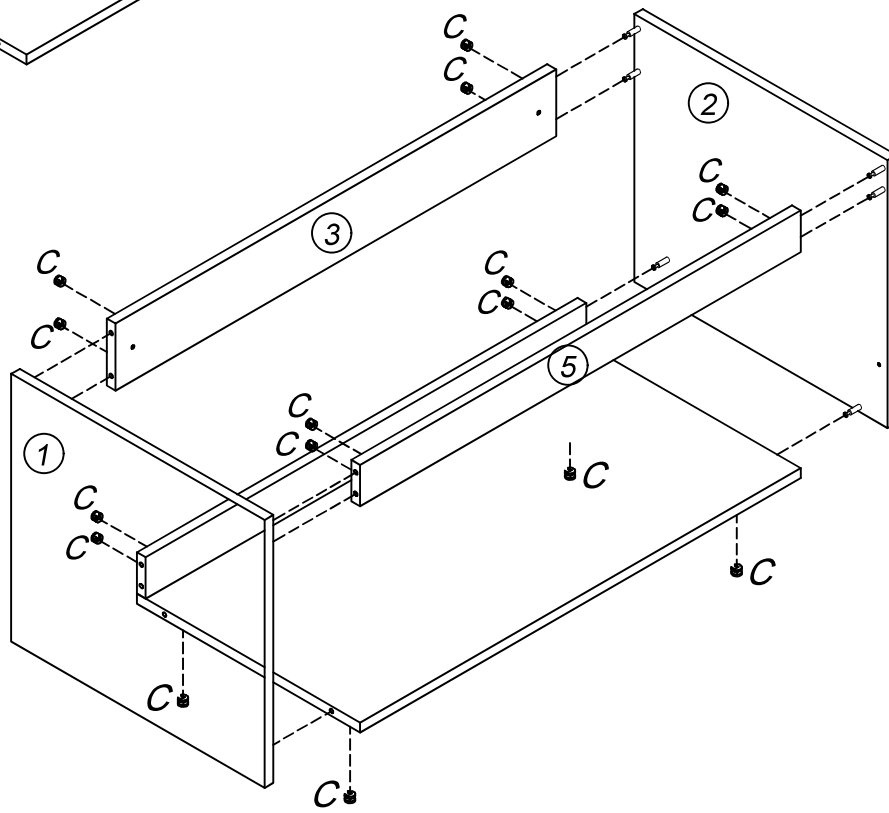
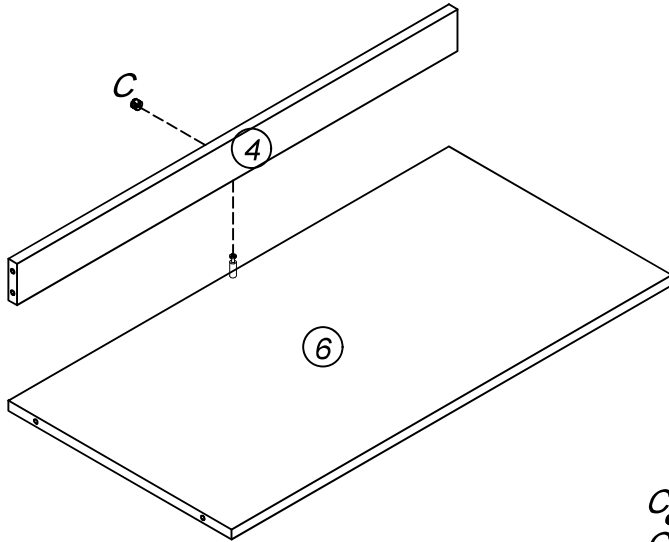
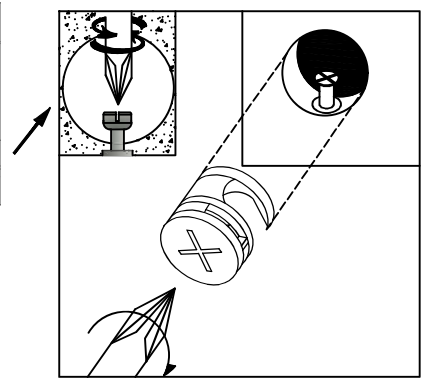
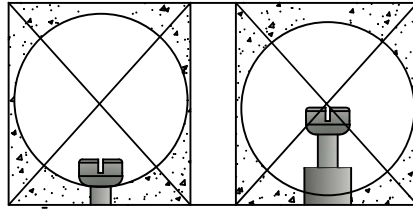
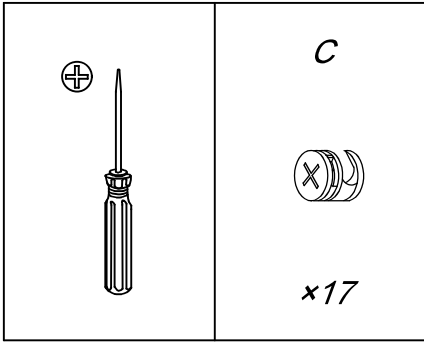
———— INSTRUCTION MANUAL ————

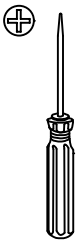
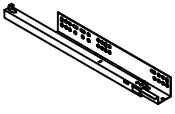



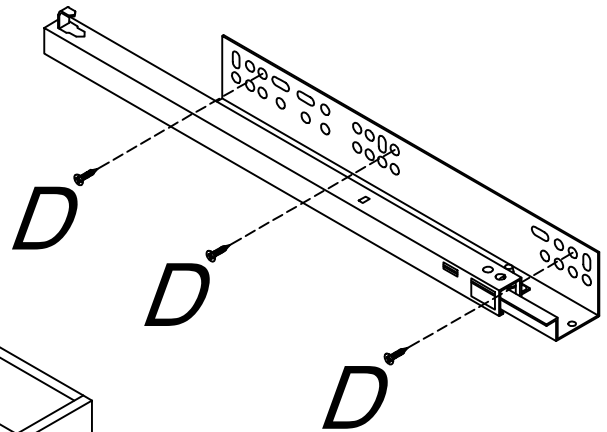
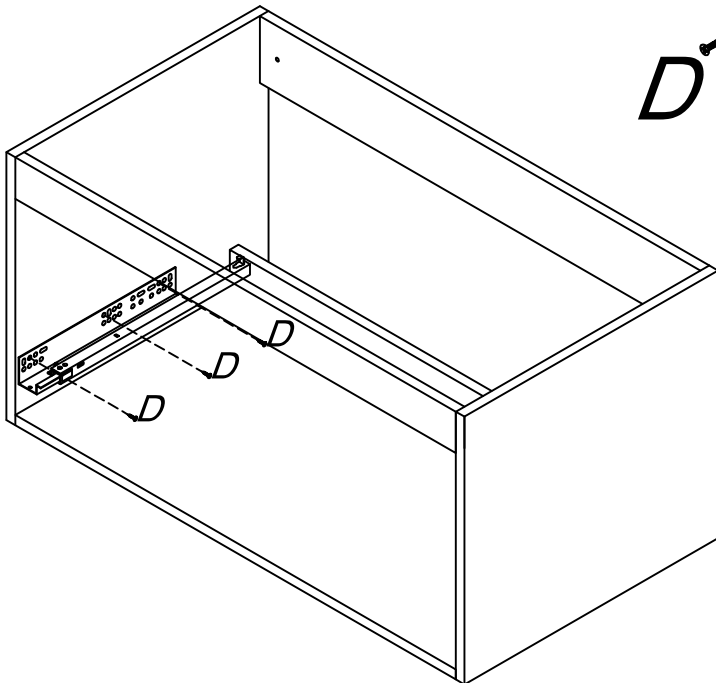
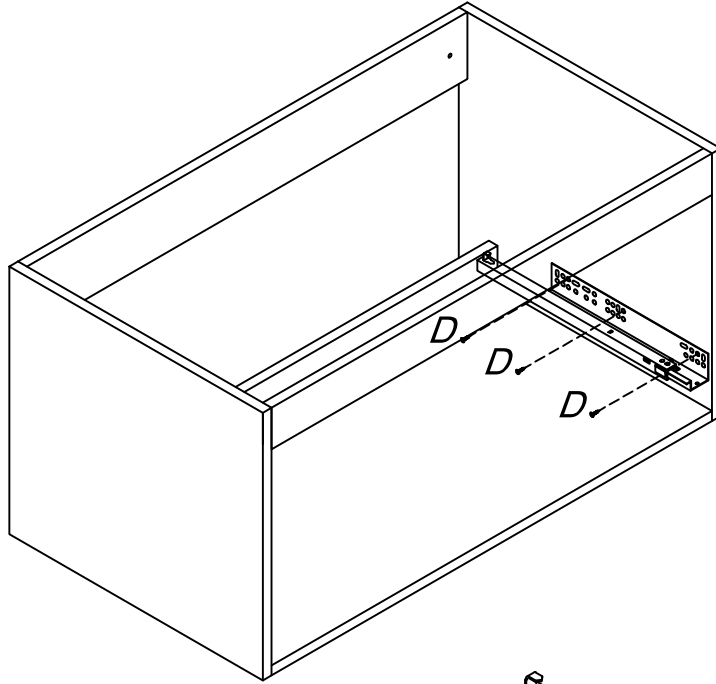
<i>A</i>  x2	<i>B</i>  x29	<i>C</i>  x29	<i>D</i>  Φ3.5×14mm x25	<i>E</i>  Φ3.5×20mm x2
<i>F</i>  x1	<i>G</i>  x2	<i>H</i>  Φ8mm x2	<i>I</i>  Φ5×50mm x2	

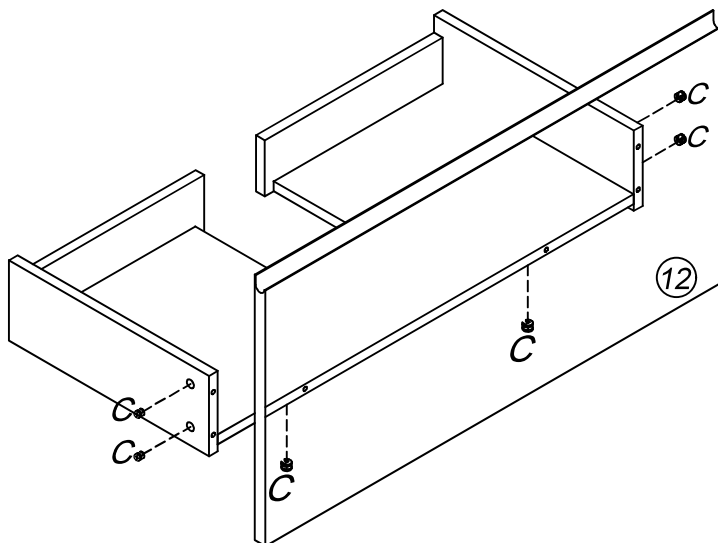
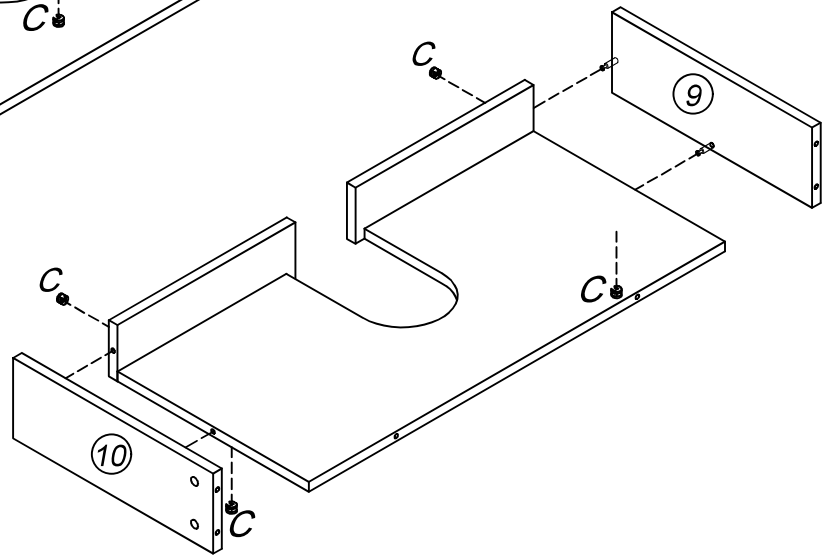
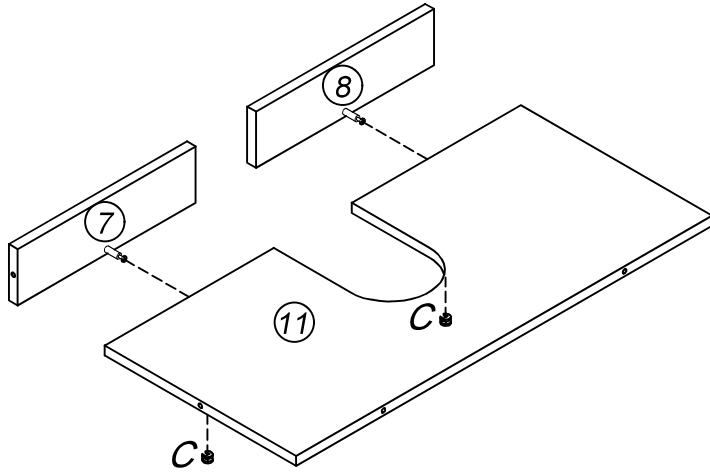
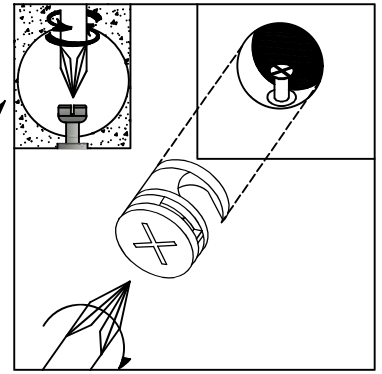
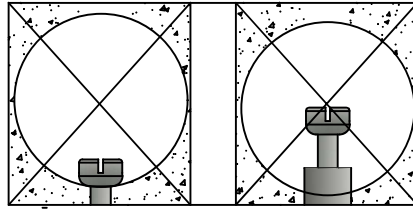
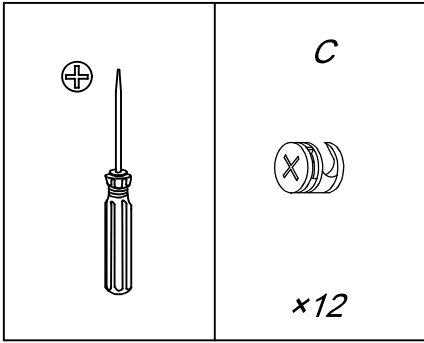





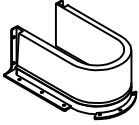


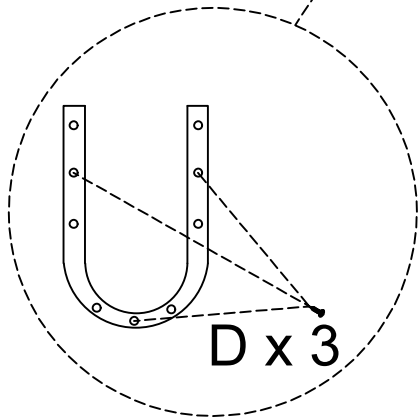
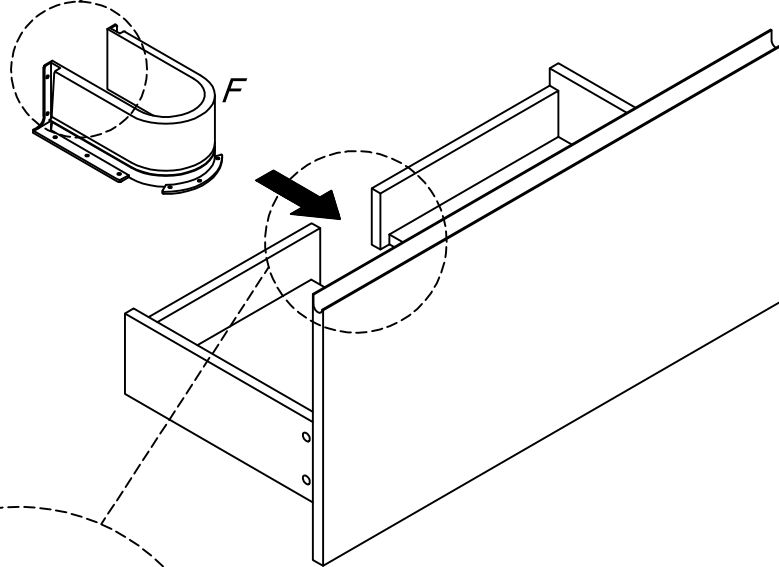
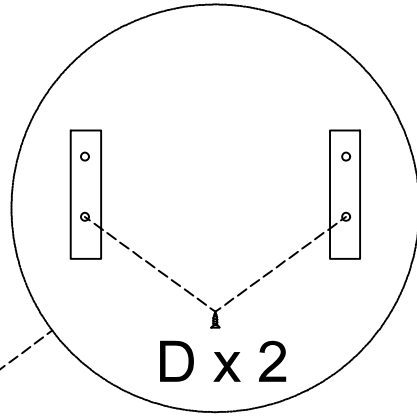


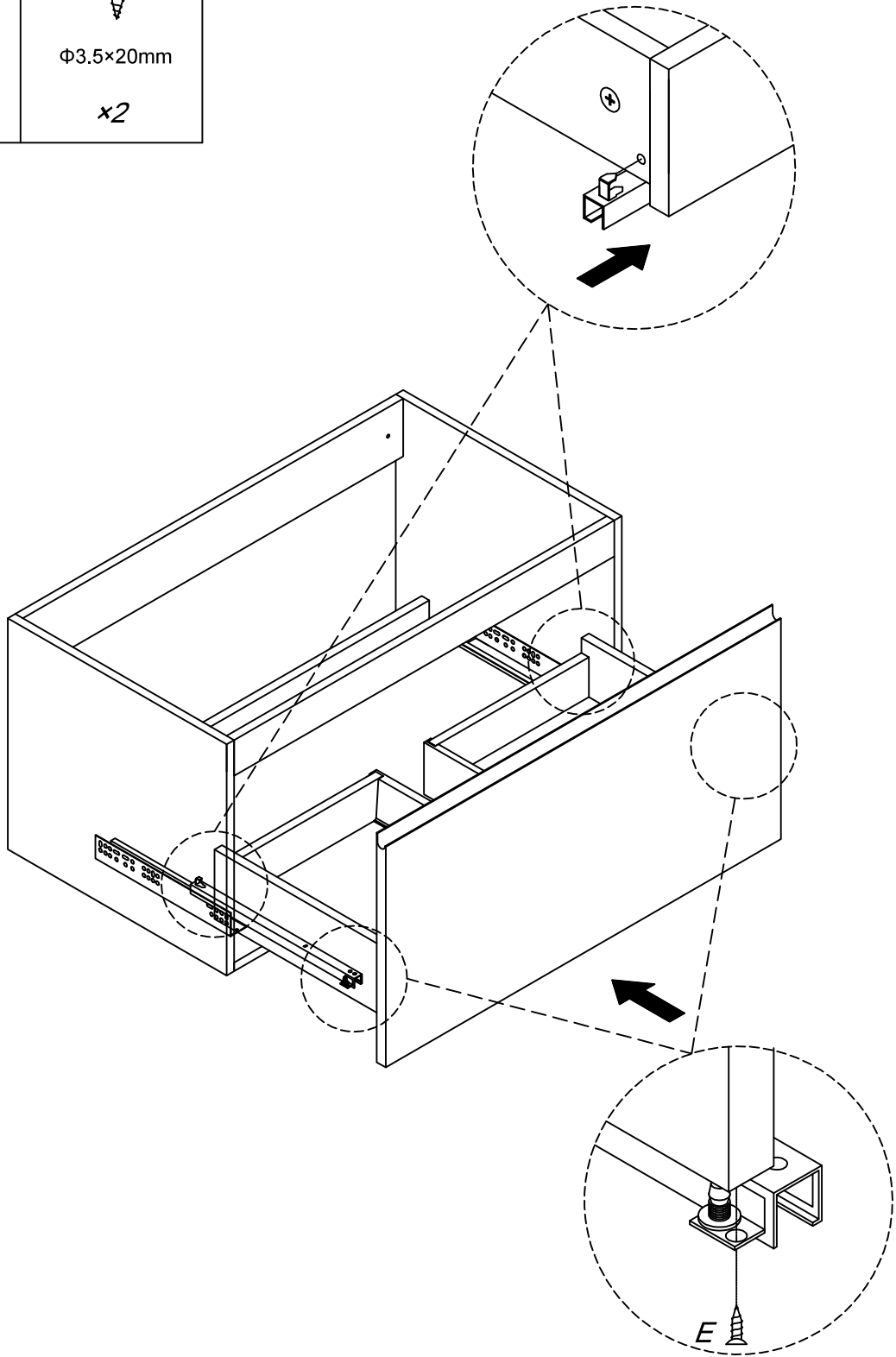
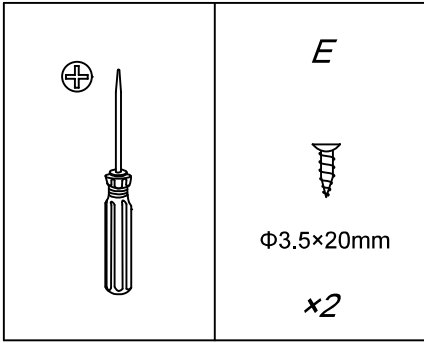
	<p>A</p>  <p>x2</p>	<p>D</p>  <p>Φ3.5×14mm</p> <p>x6</p>
---	--	---



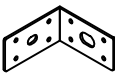


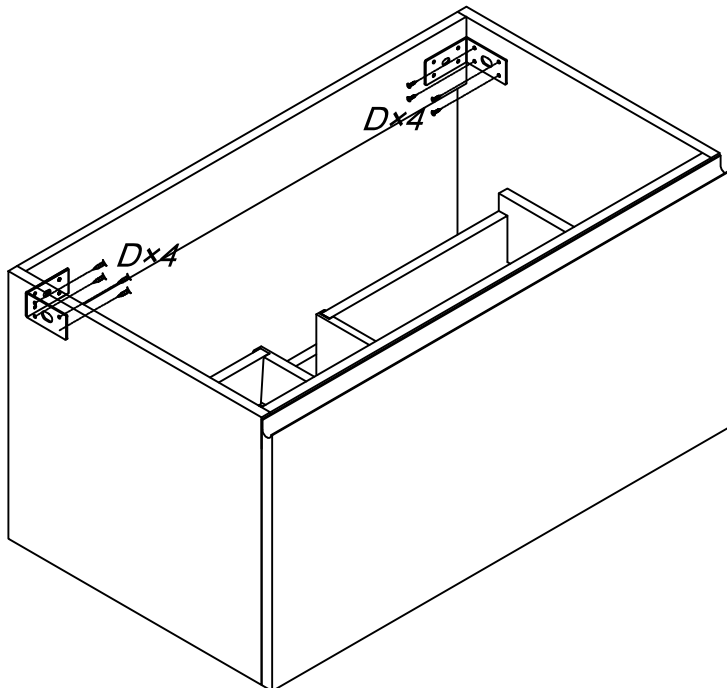
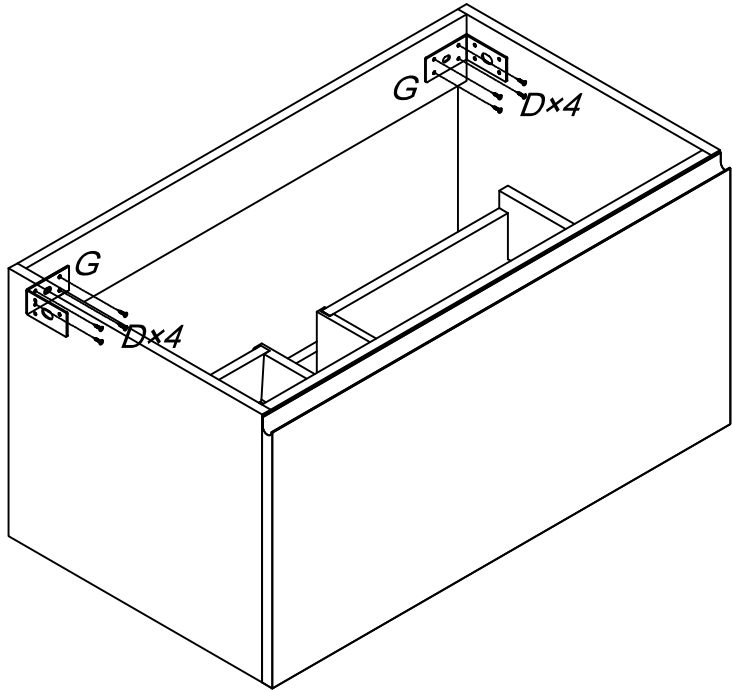


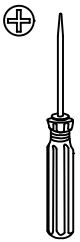


 	<p><i>D</i></p>  <p>Φ3.5×14mm</p> <p><i>x5</i></p>	<p><i>F</i></p>  <p><i>x1</i></p>
--	---	--

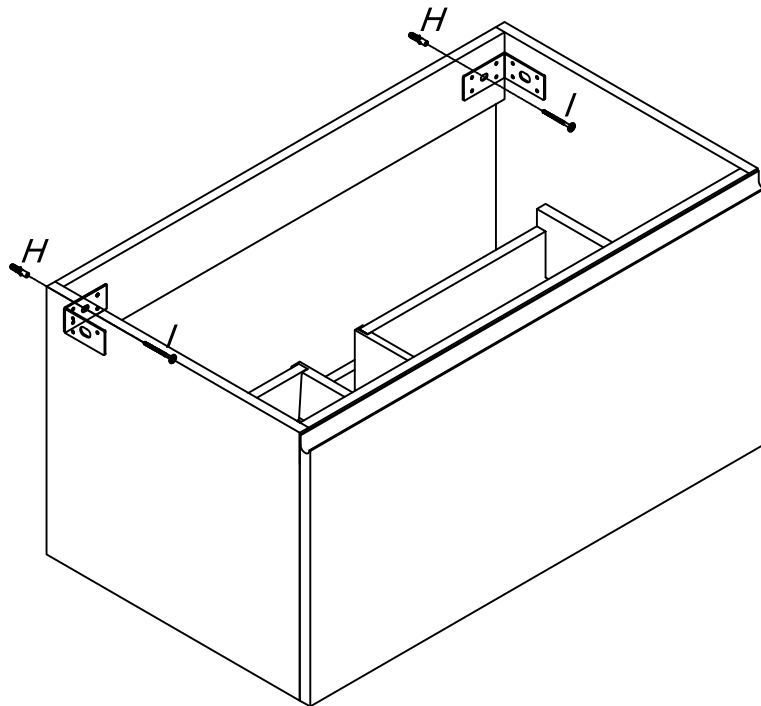
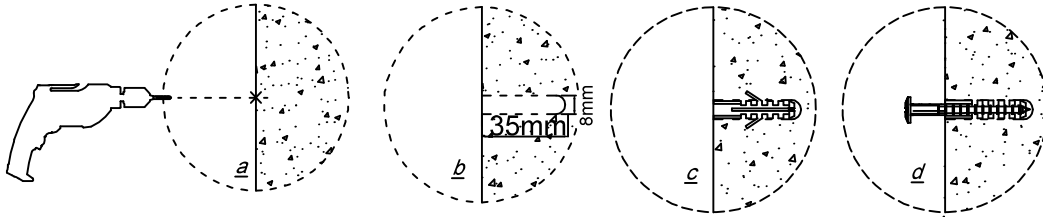


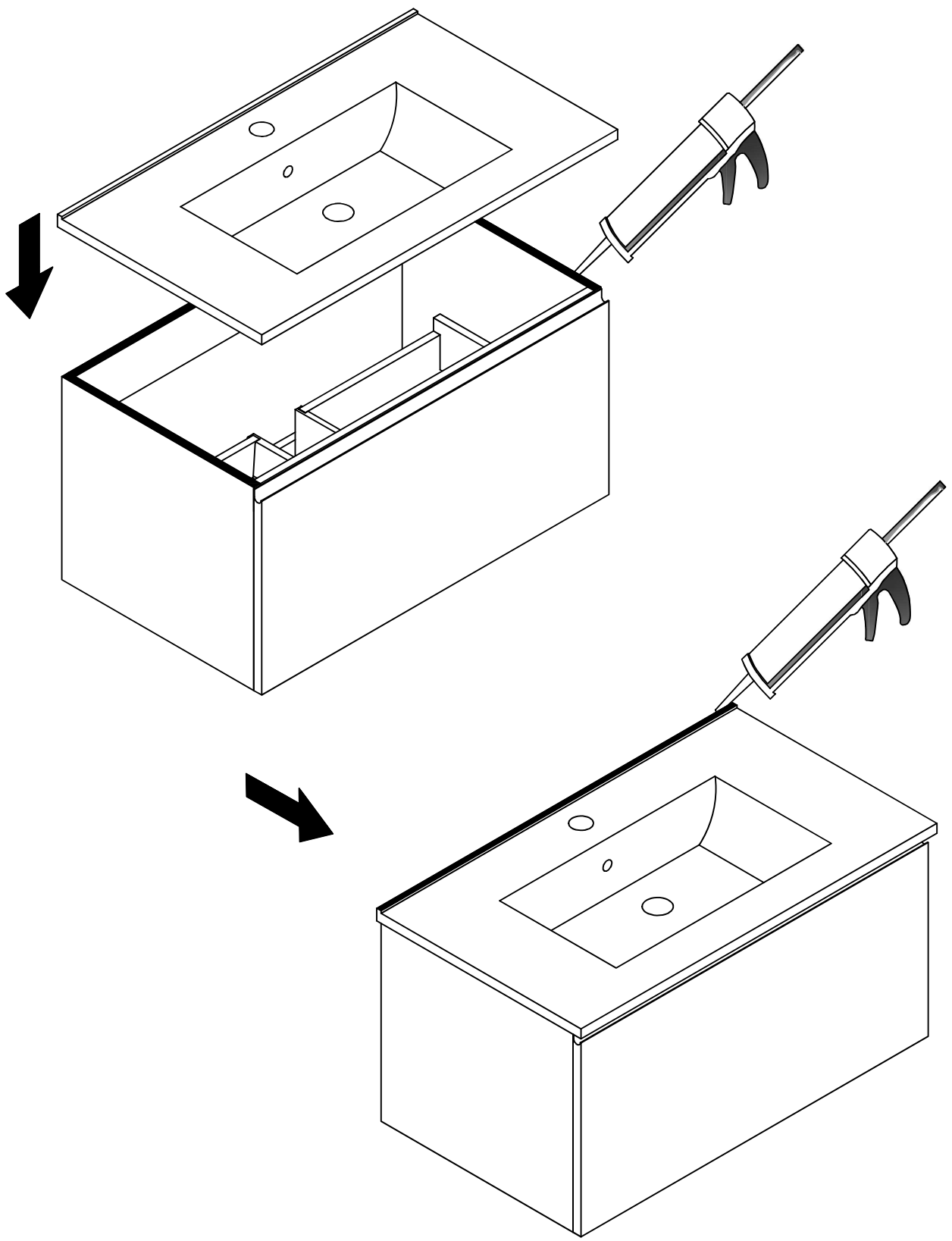


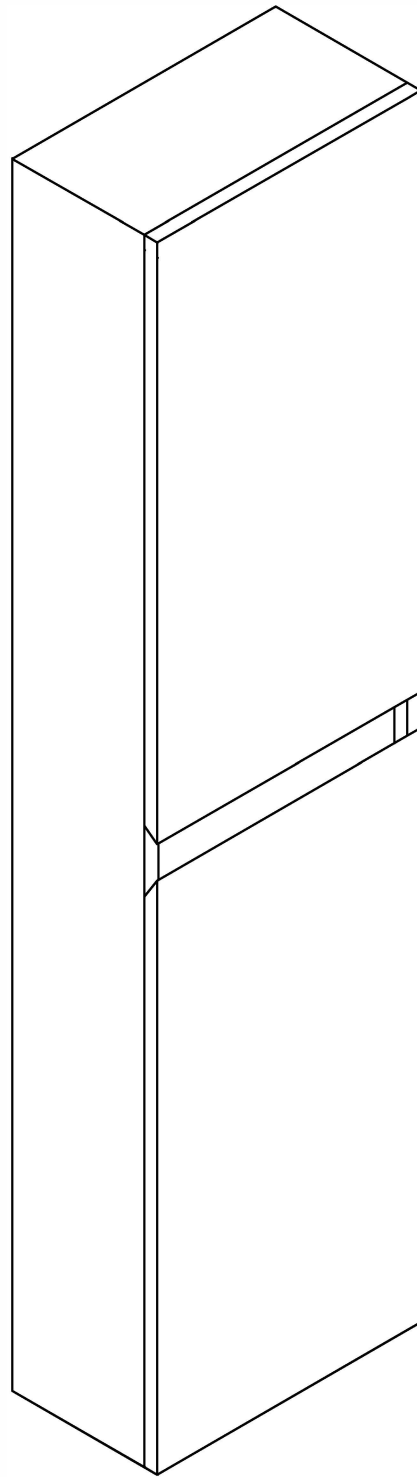
	<p><i>D</i></p>  <p><math>\Phi 3.5 \times 14 \text{mm}</math></p> <p><i>x16</i></p>	<p><i>G</i></p>  <p><i>x2</i></p>
---	--	--



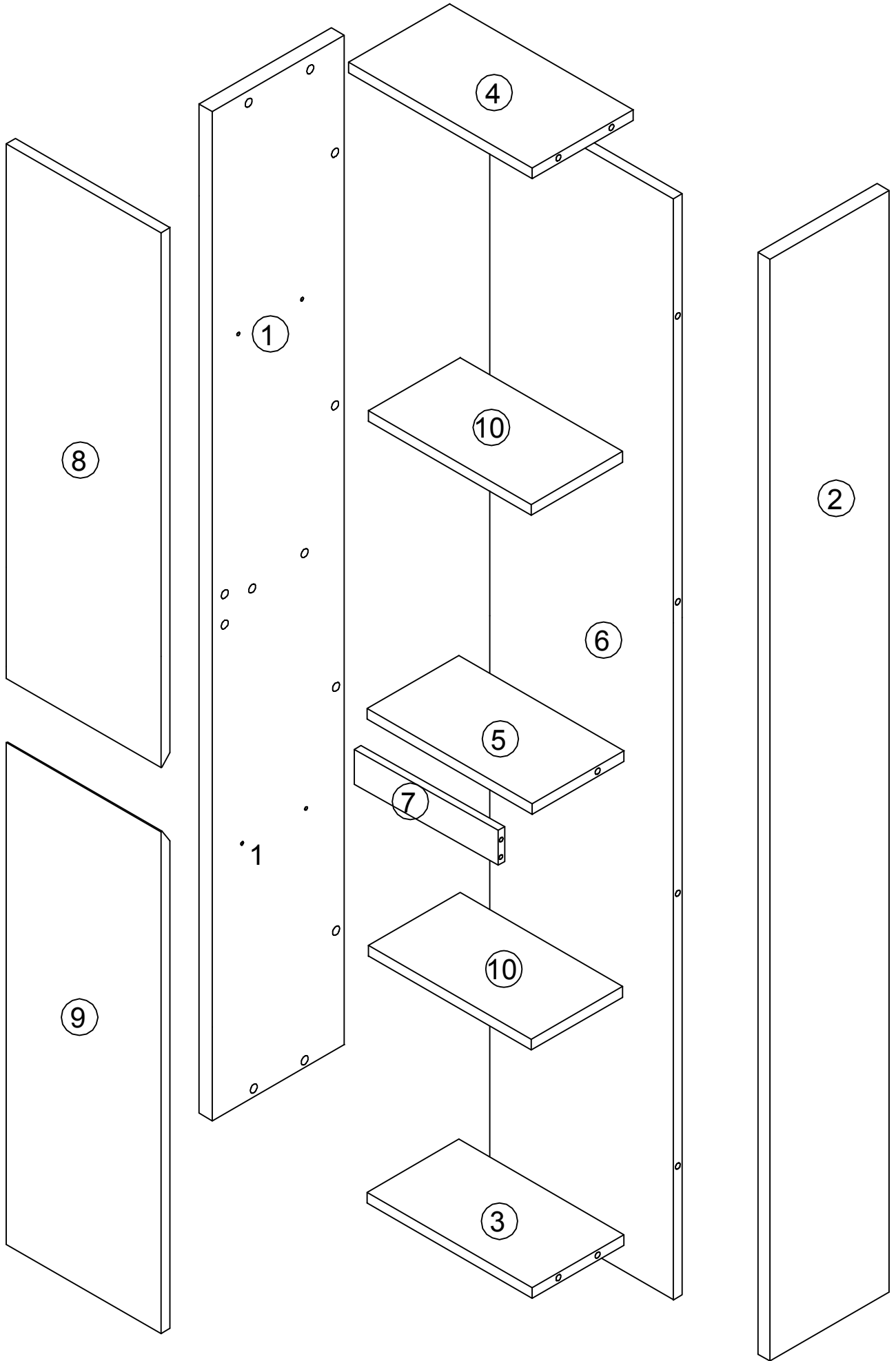
	<p><i>H</i></p>  <p>Φ8mm</p> <p><i>x2</i></p>	<p><i>I</i></p>  <p>Φ5×50mm</p> <p><i>x2</i></p>
---	--	---








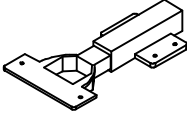










— INSTRUCTION MANUAL —

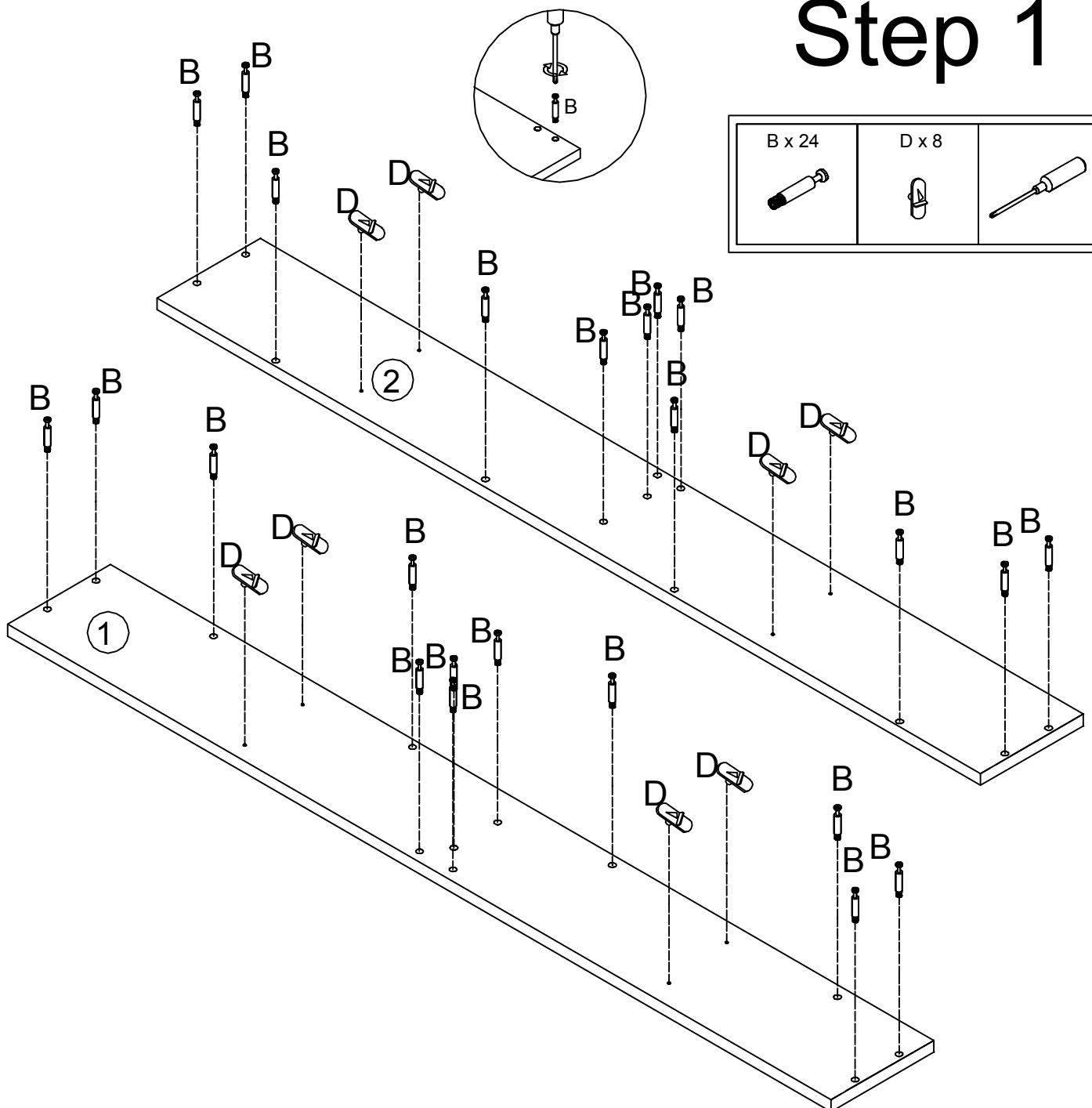


# List of Hardware fittings

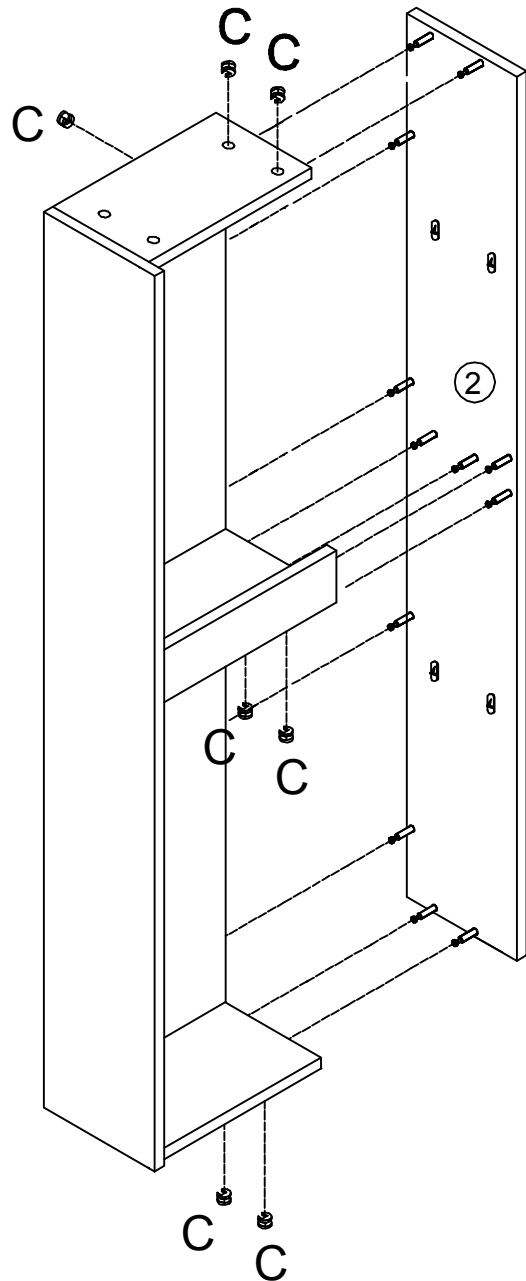
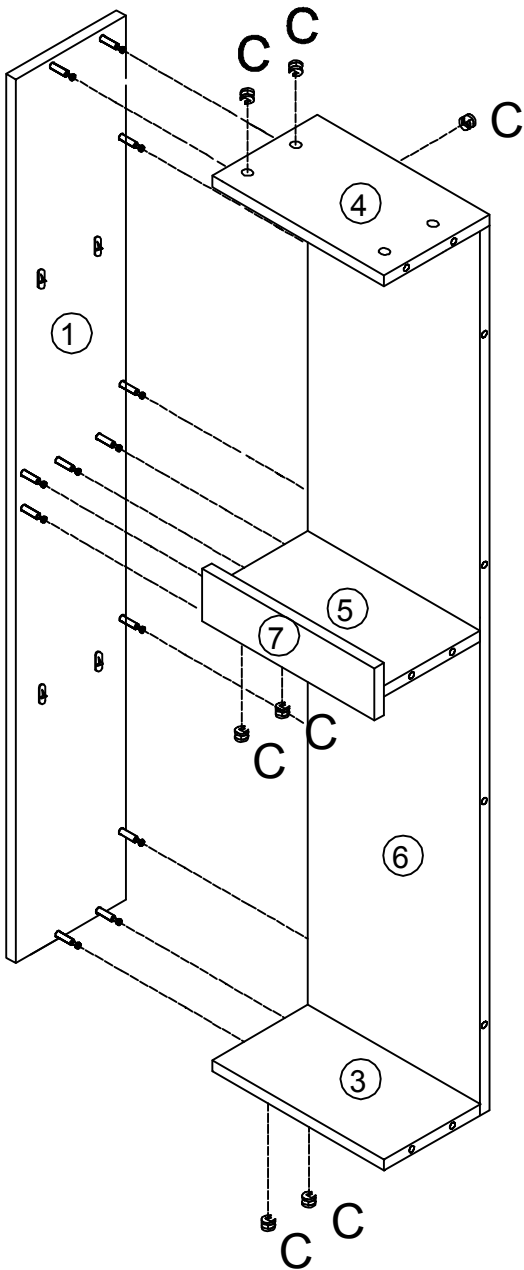
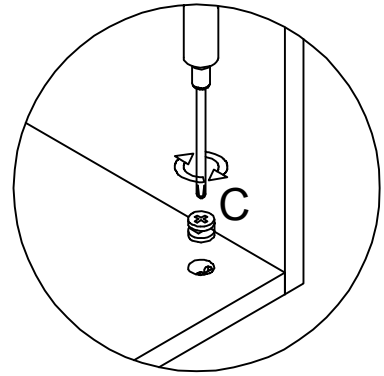
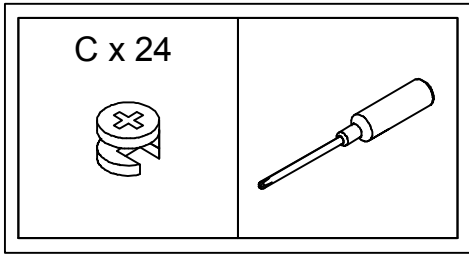
B x 24 	C x 24 	D x 8 	E x 2  50 mm	F x 2  8 mm
G x 4 	I x 24  14 mm	L x 2 	M x 2  Cap	

## Step 1

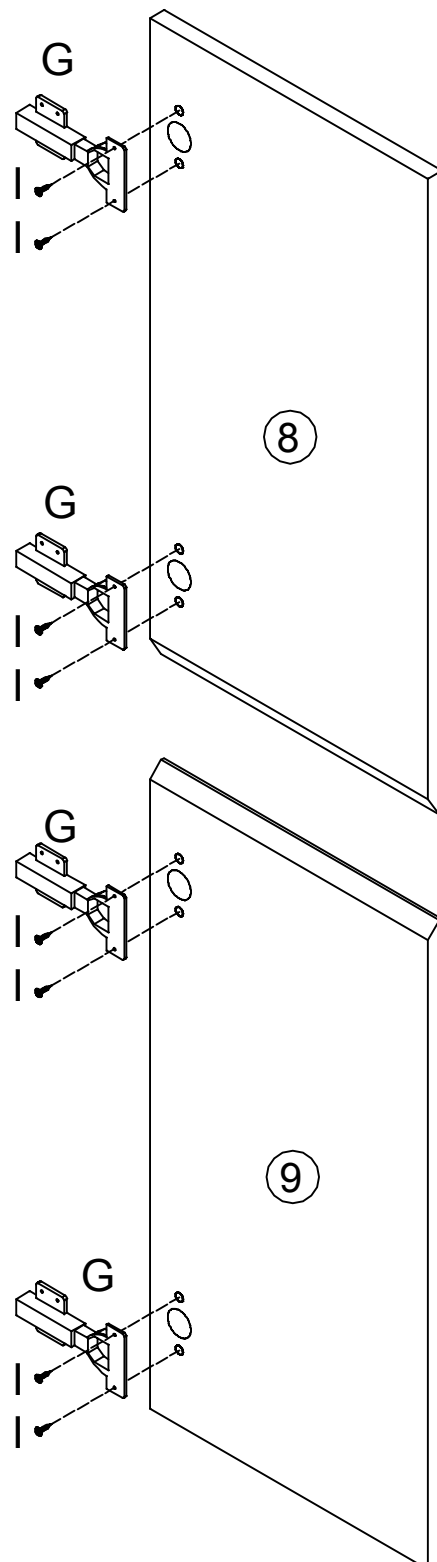
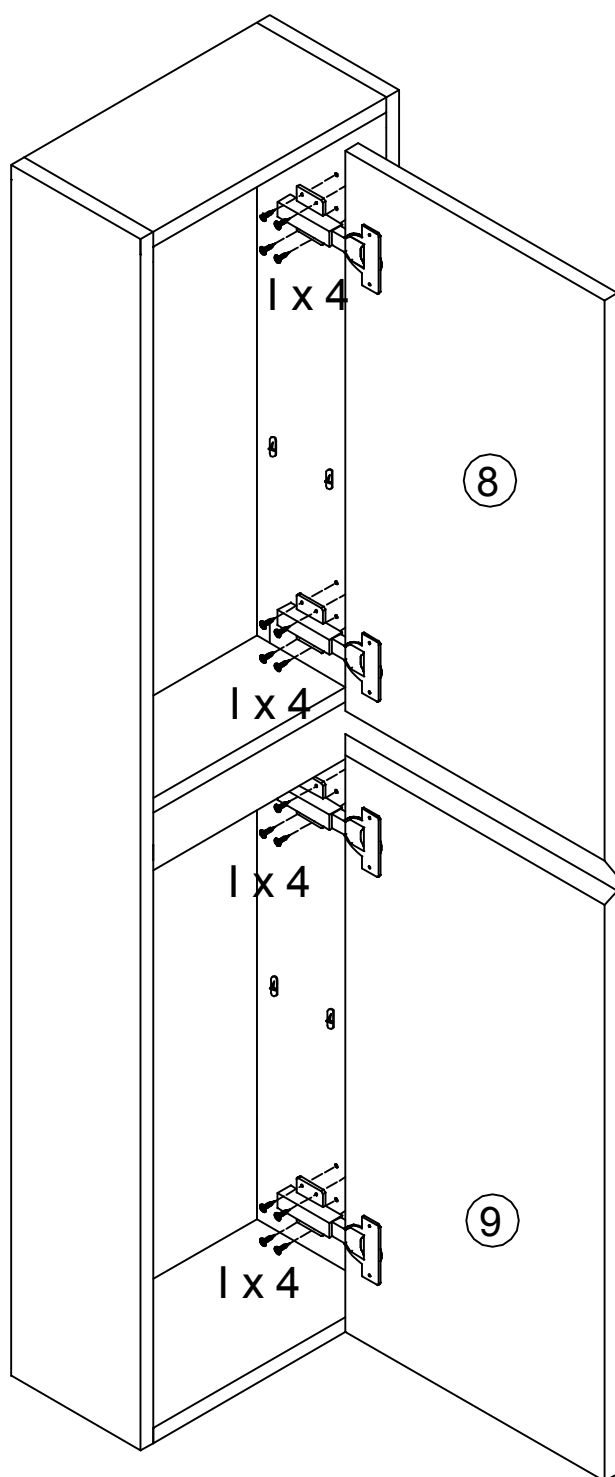
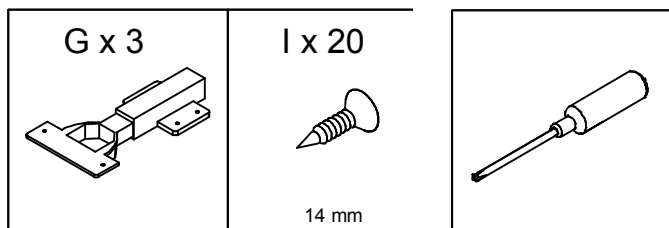
B x 24 	D x 8 	
--	---	--



# Step 2



# Step 3



# Step 4

