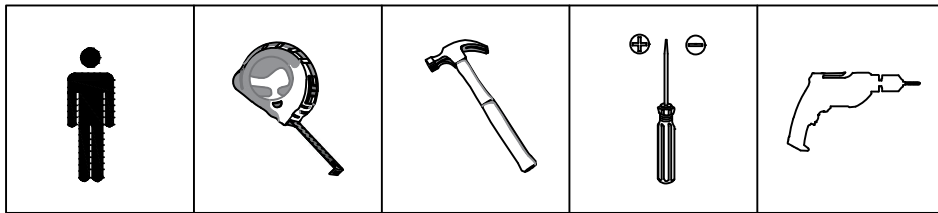
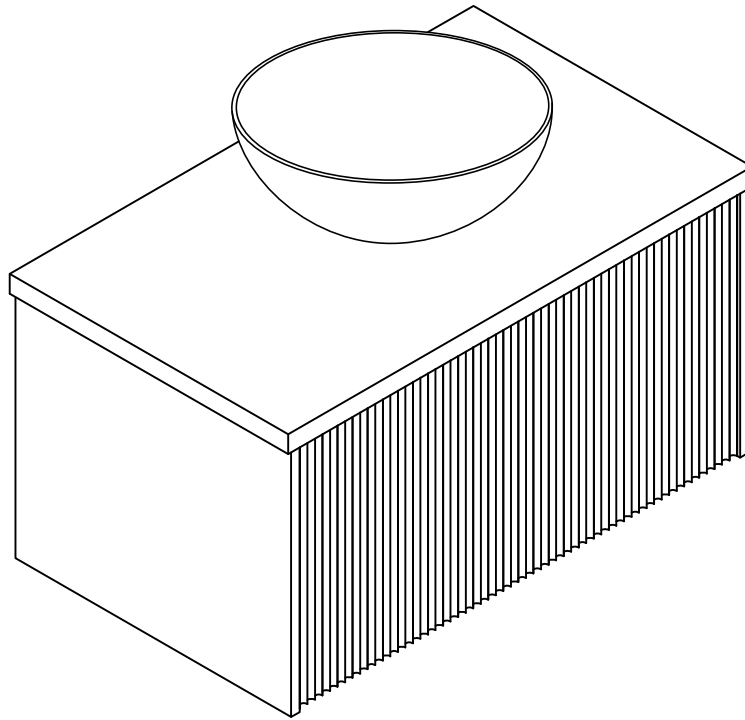
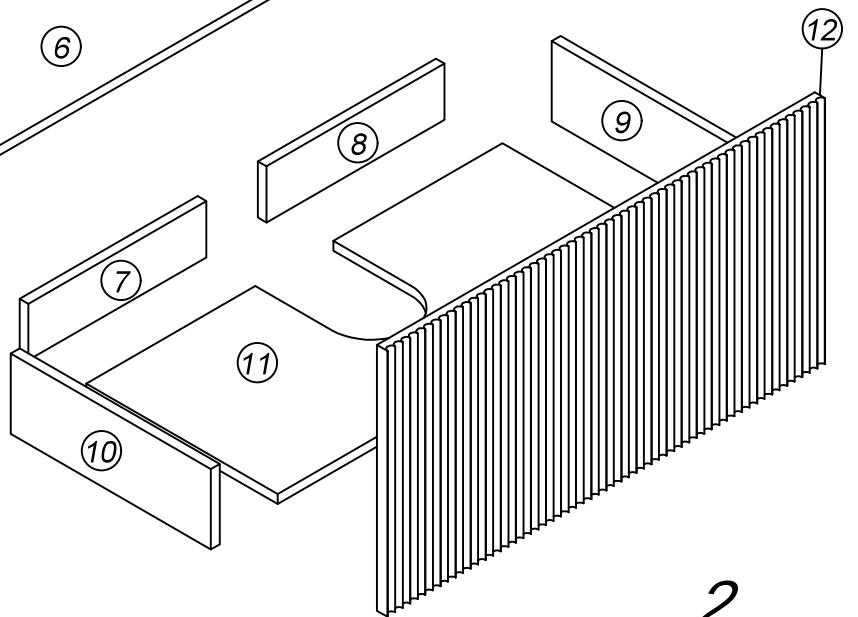
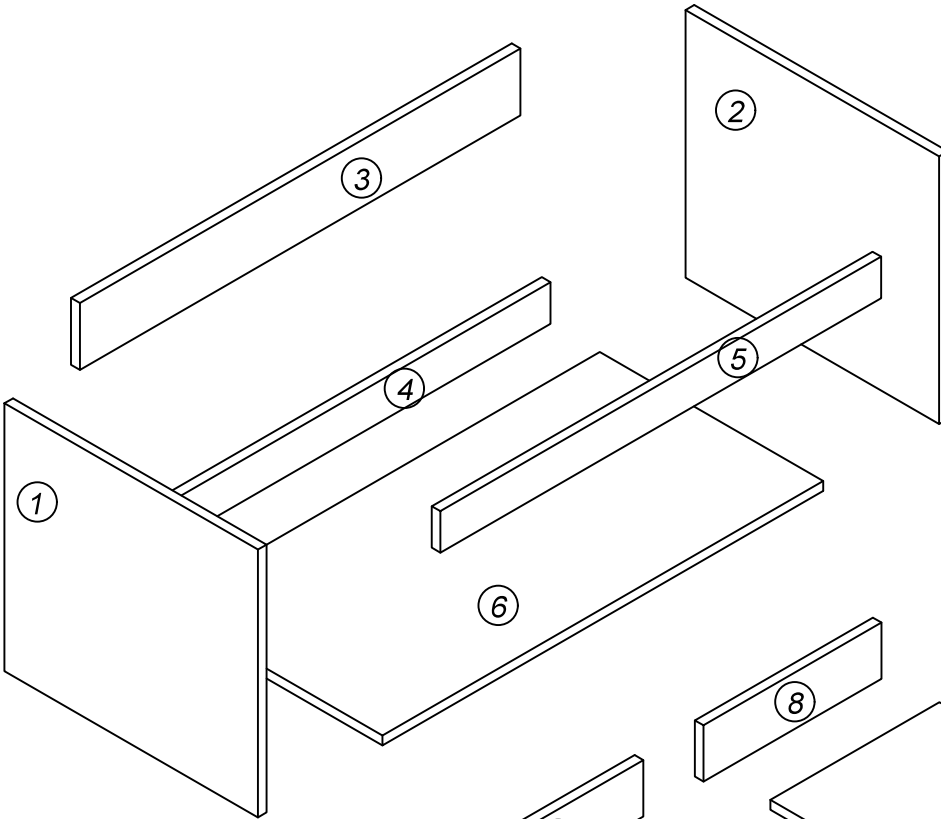
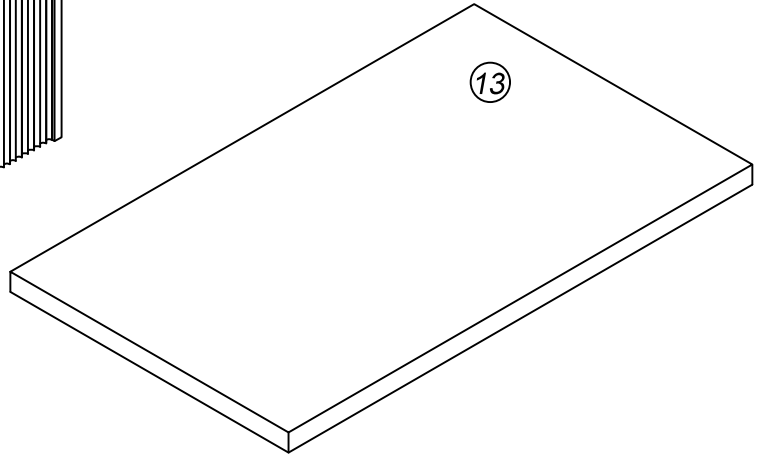
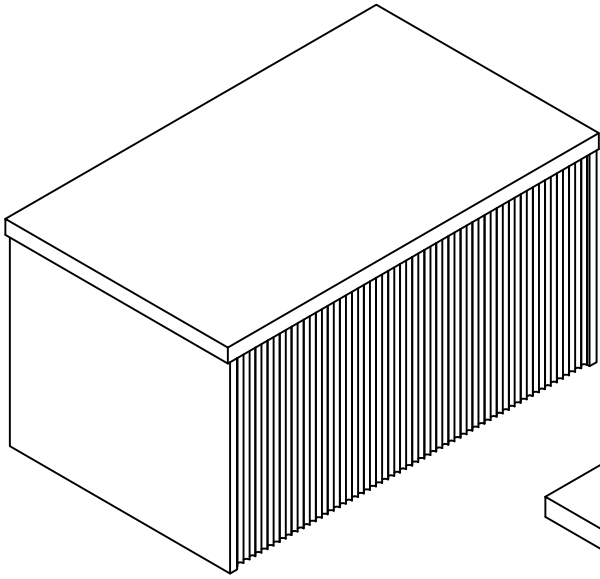


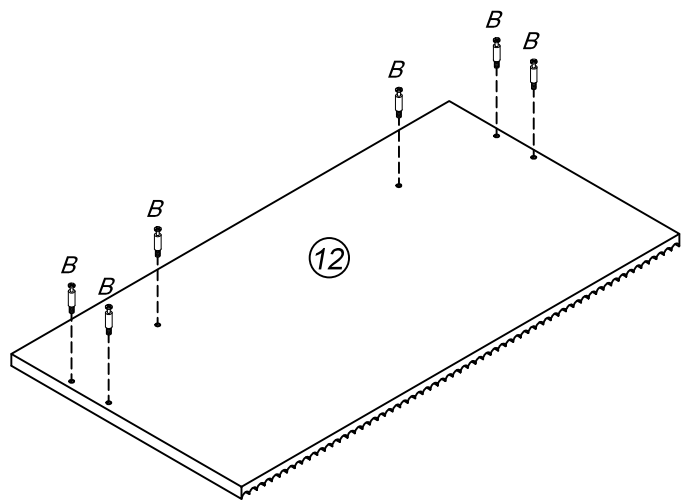
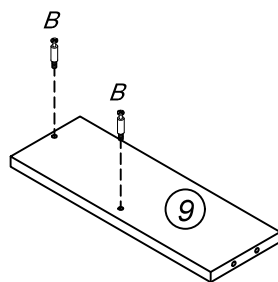
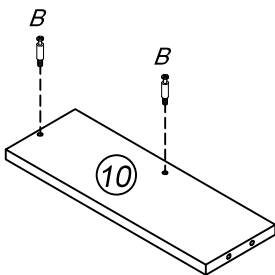
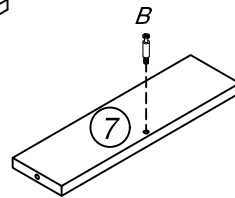
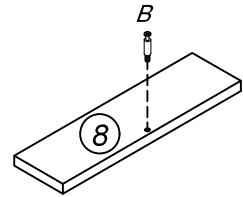
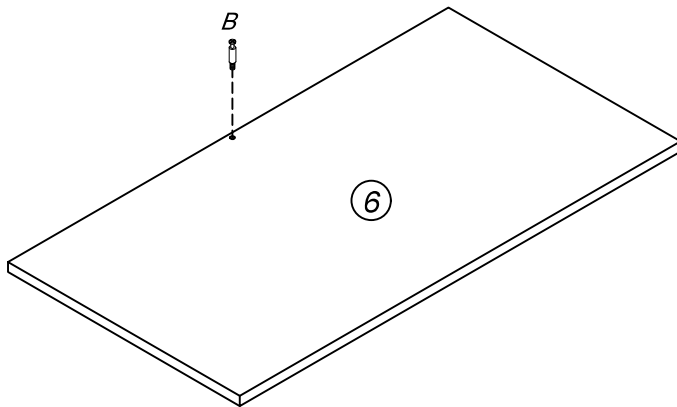
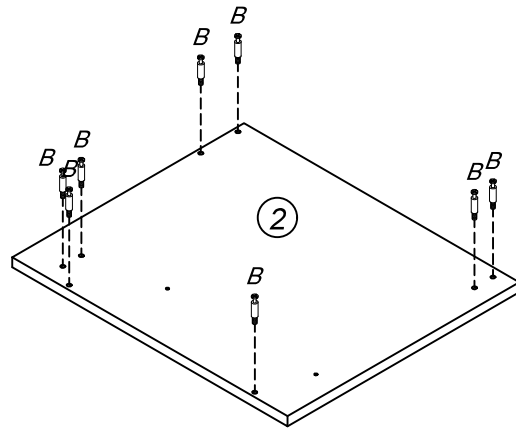
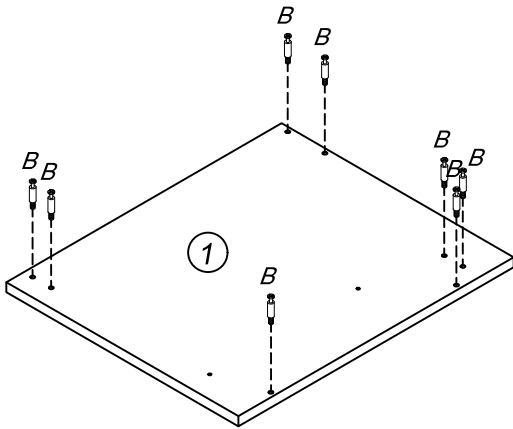
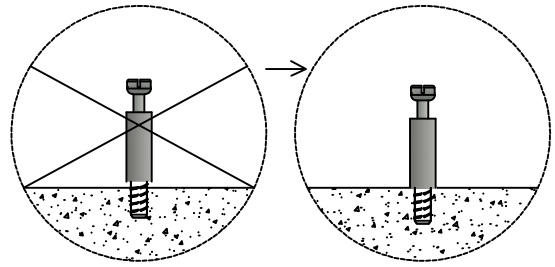
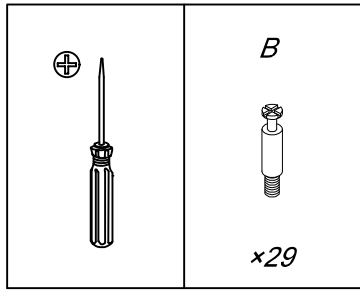
———— INSTRUCTION MANUAL ————

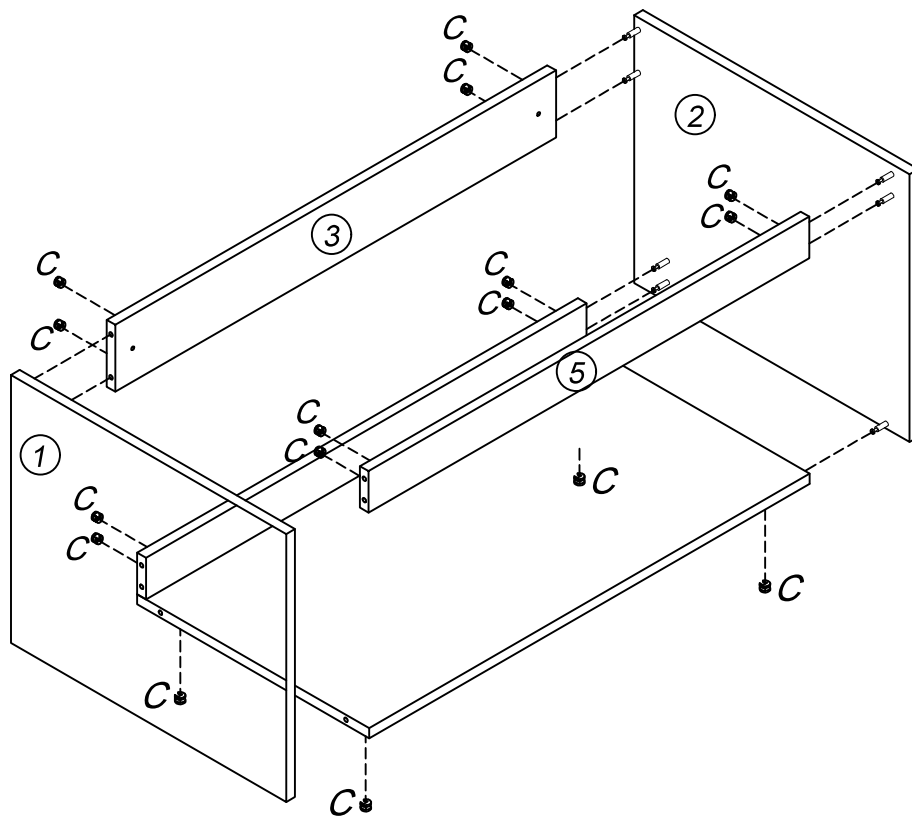
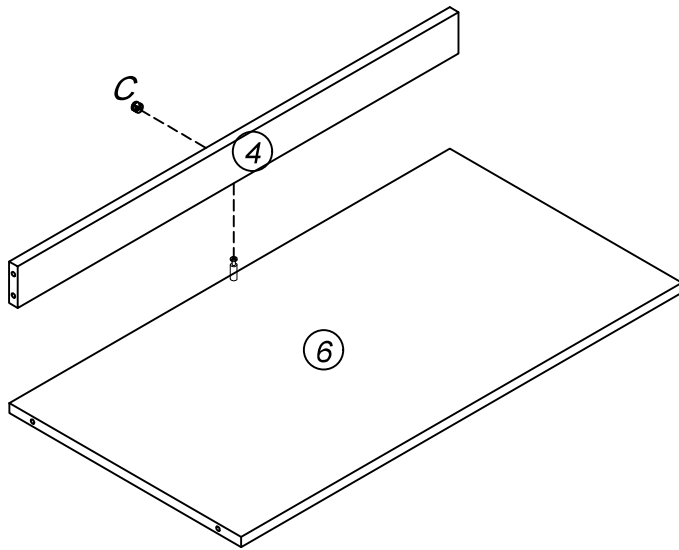
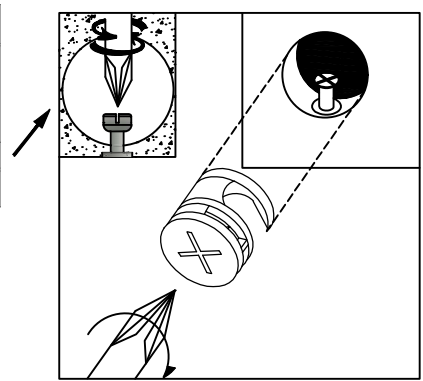
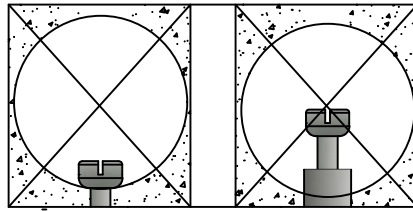
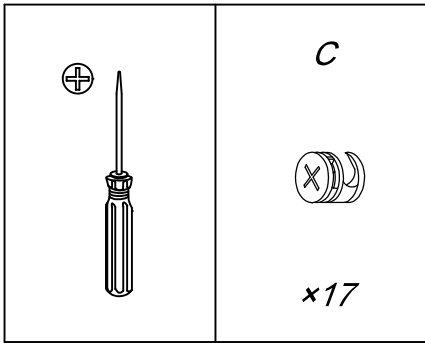



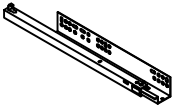

<i>A</i>	<i>B</i>	<i>C</i>	<i>D</i>	<i>E</i>
x2	x29	x29	Φ3.5×14mm x27	Φ3.5×20mm x2

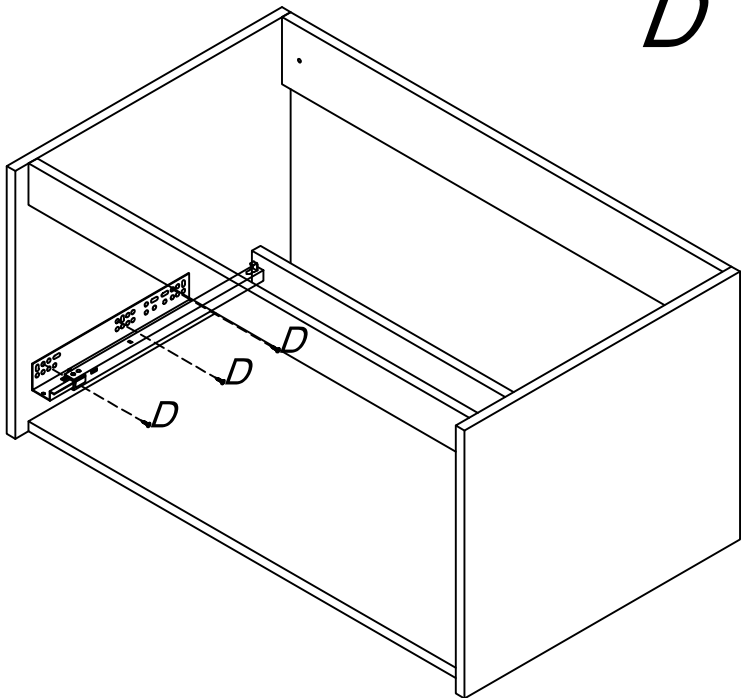
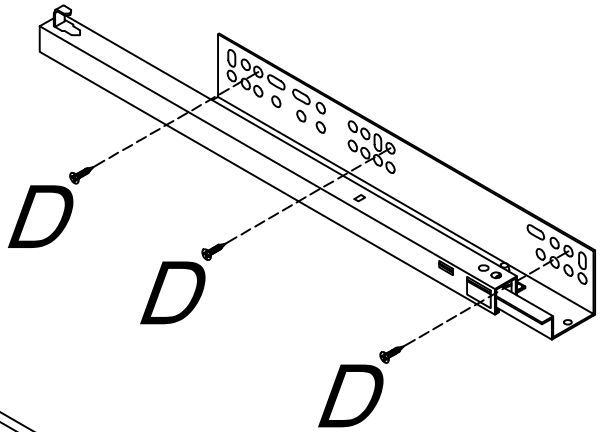
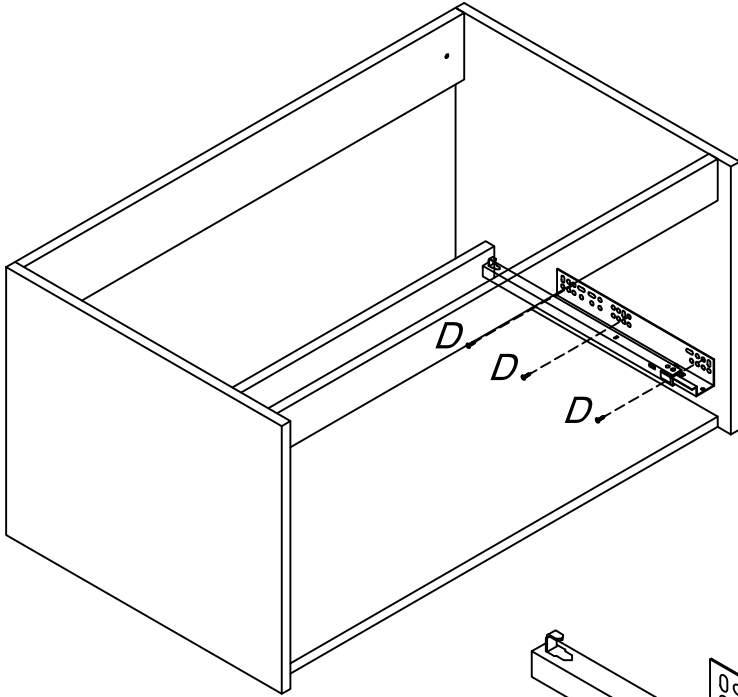
<i>F</i>	<i>G</i>	<i>H</i>	<i>I</i>
x1	x2	Φ8mm x2	Φ5×50mm x2

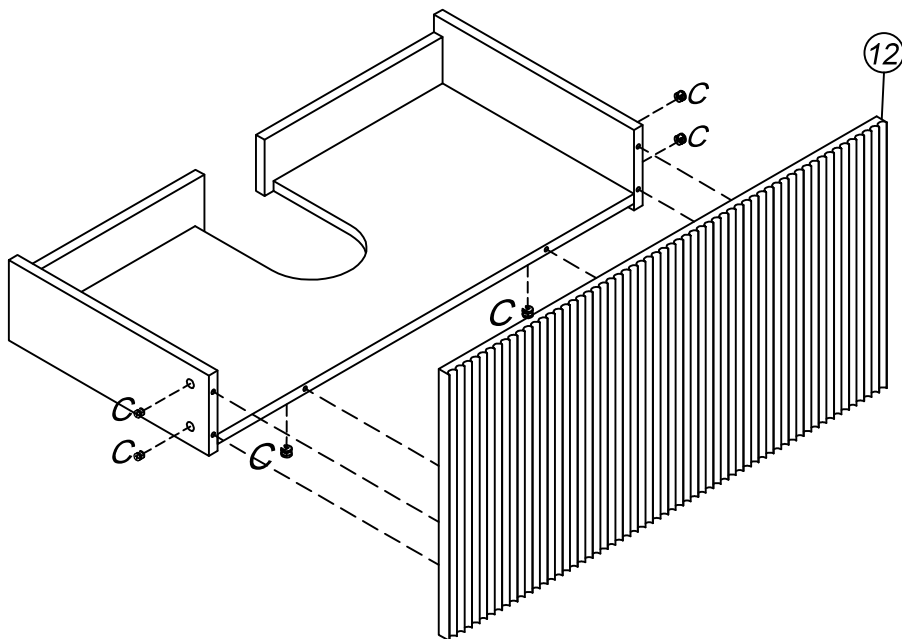
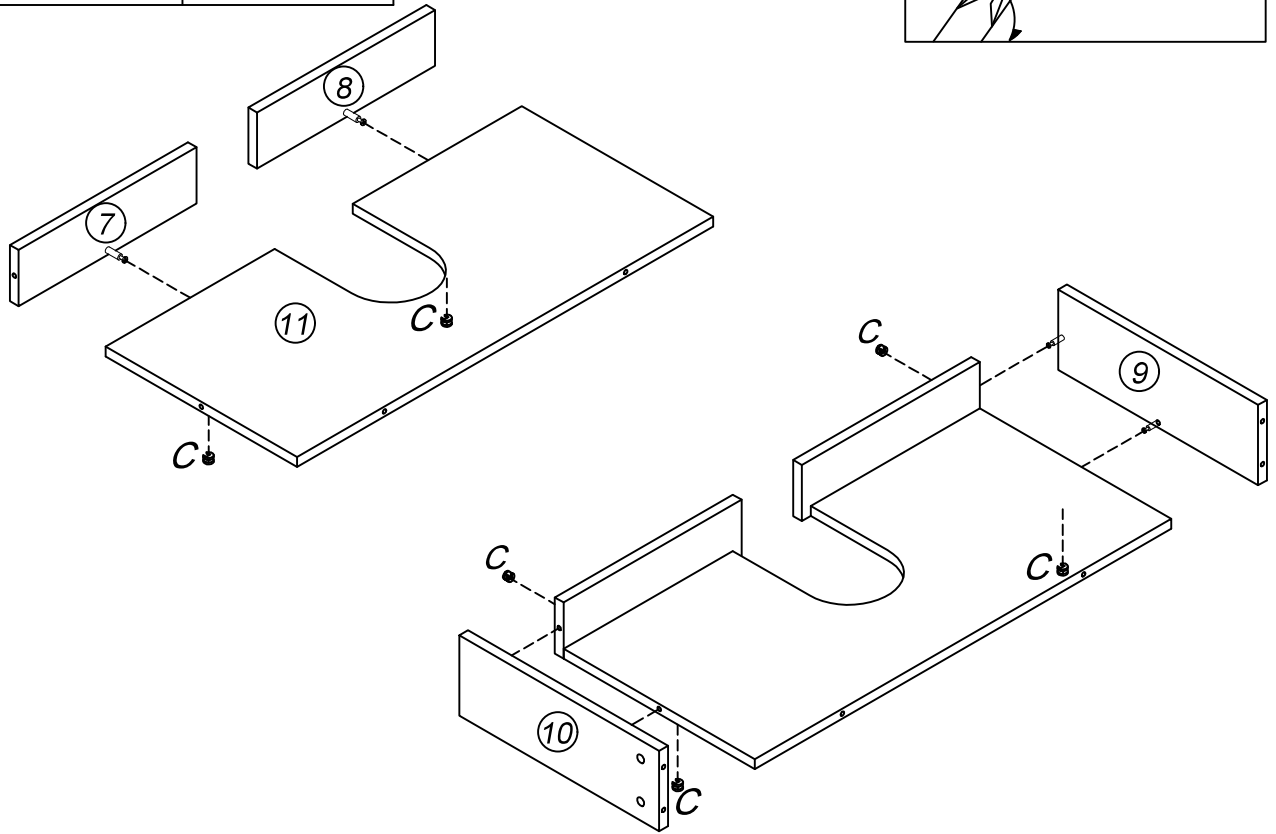
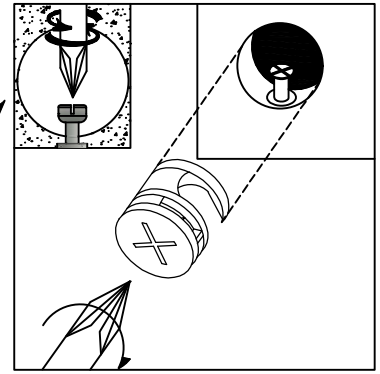
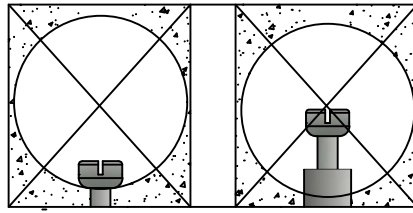
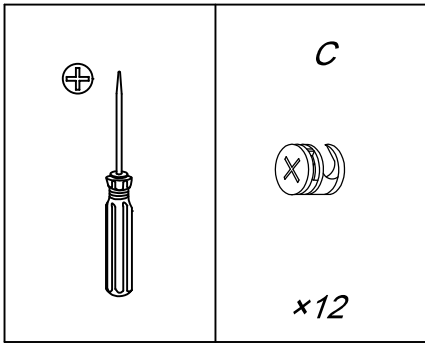





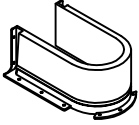


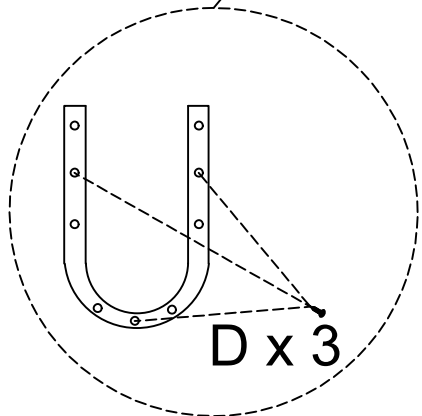
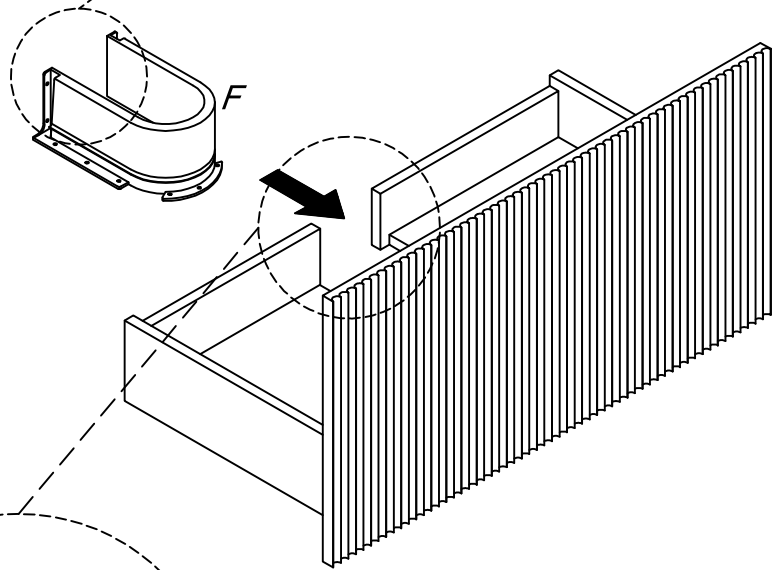
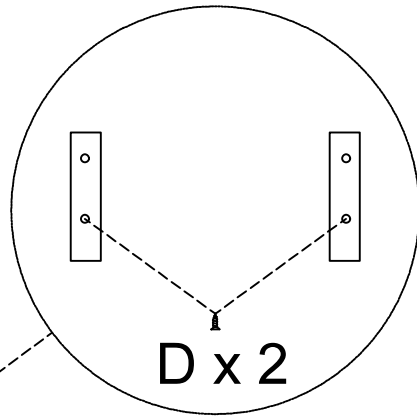


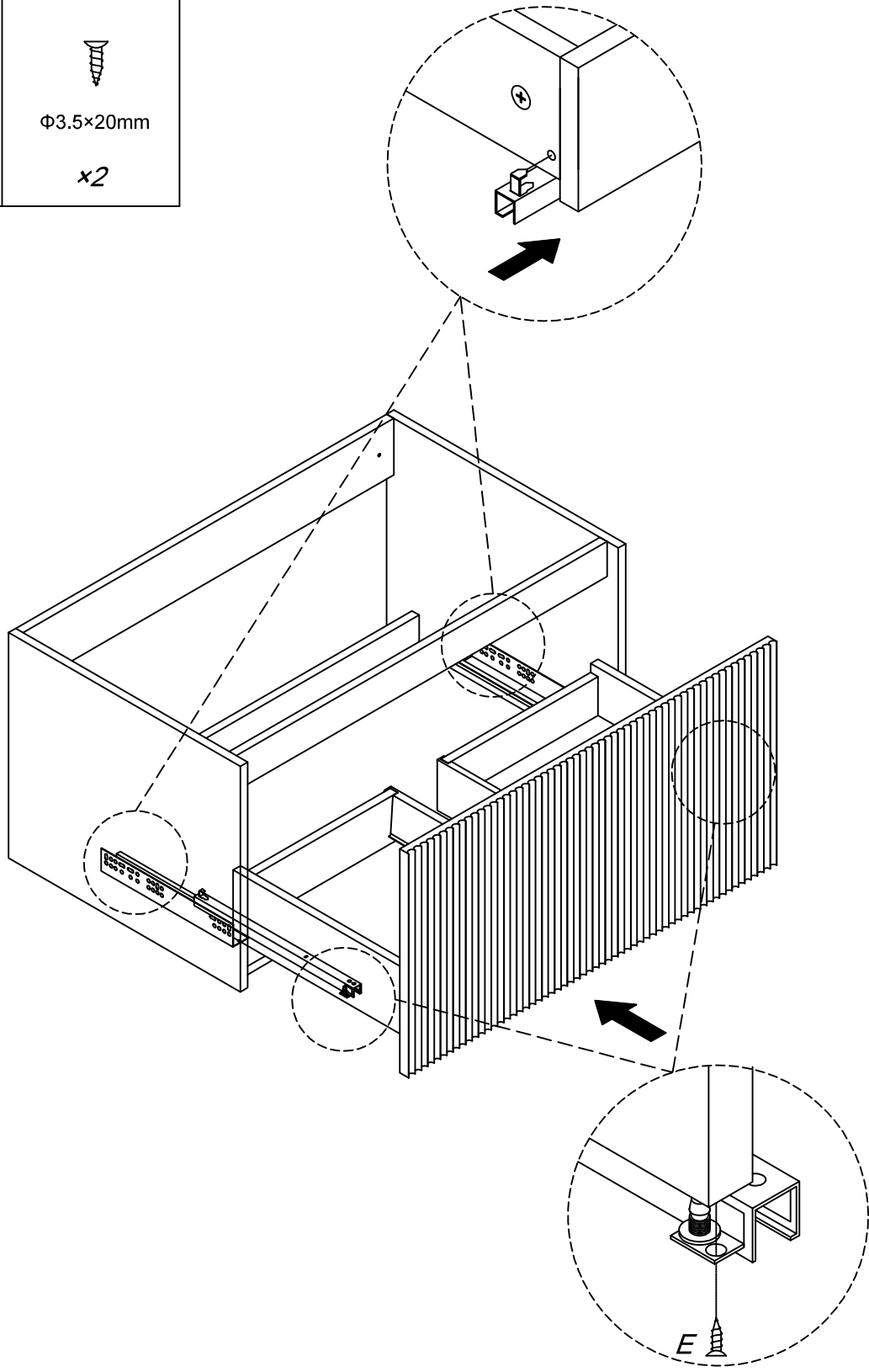
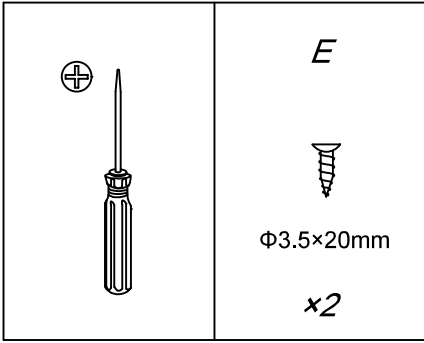
	<p>A</p>  <p>x2</p>	<p>D</p>  <p>Φ3.5×14mm</p> <p>x6</p>
---	--	---

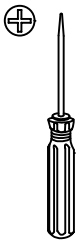




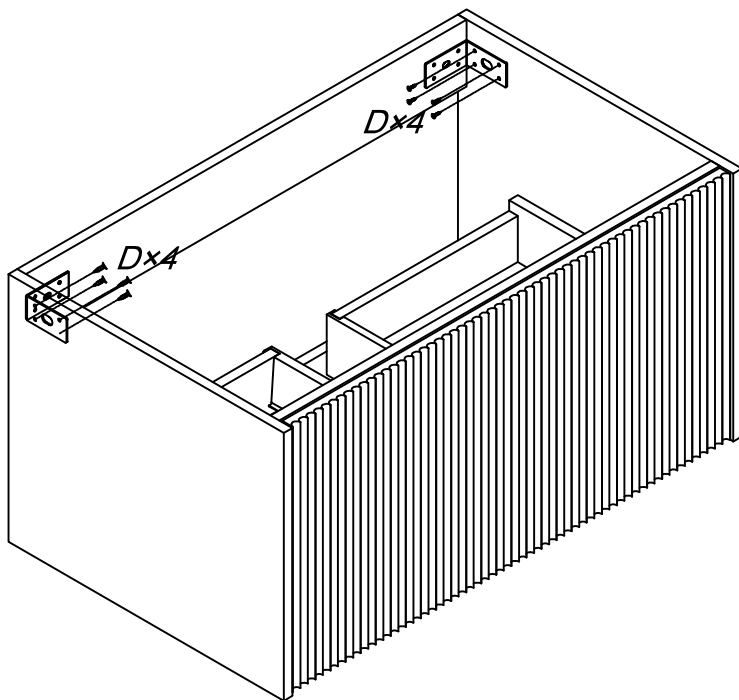
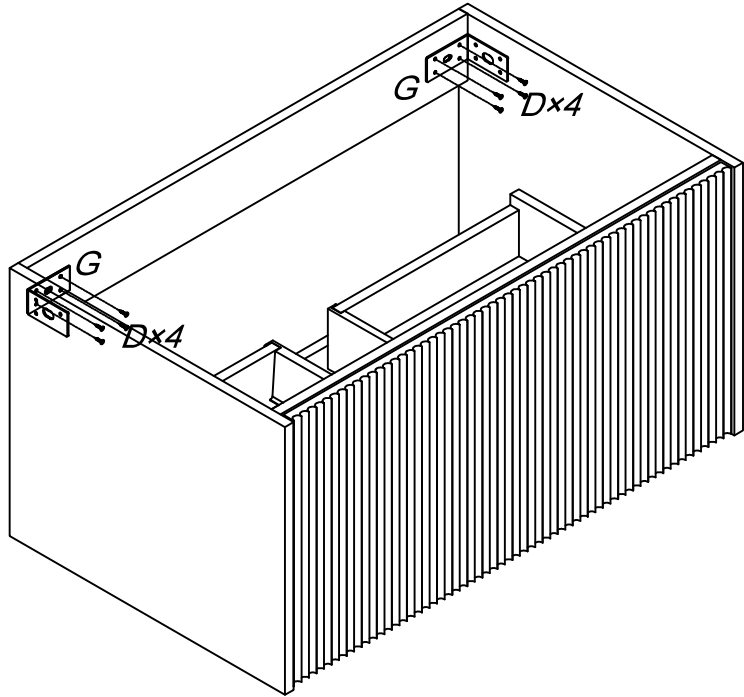


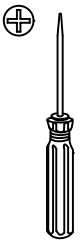


 	<p><i>D</i></p>  <p>Φ3.5×14mm</p> <p><i>x5</i></p>	<p><i>F</i></p>  <p><i>x1</i></p>
--	---	--

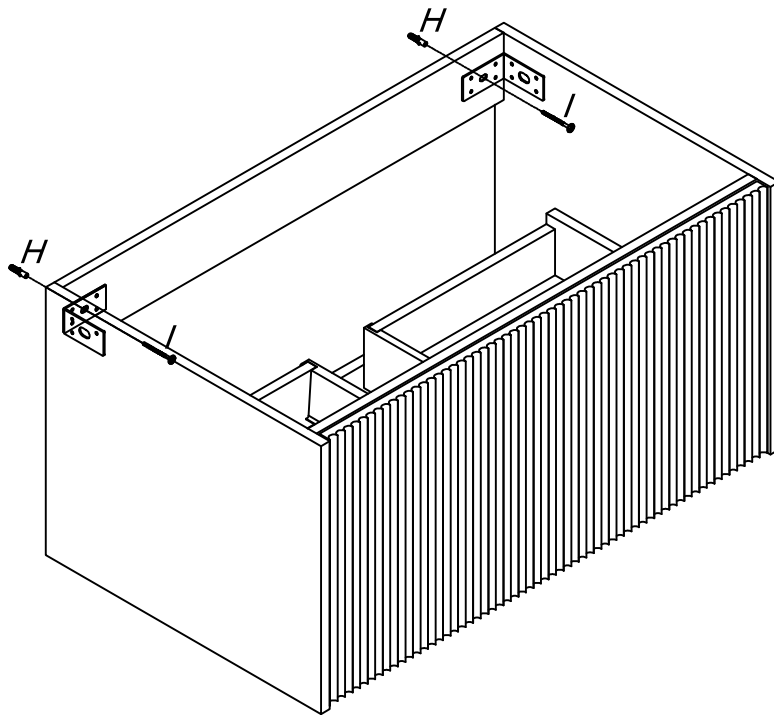
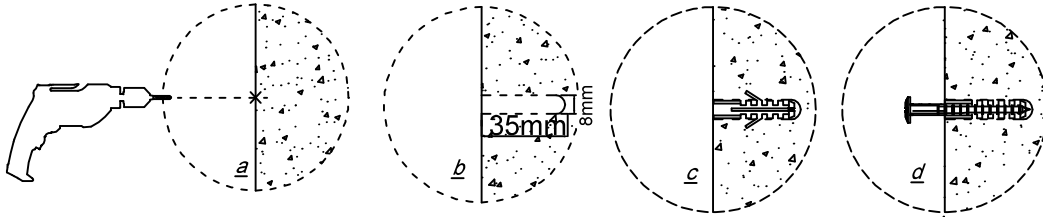




	<p><i>D</i></p>  <p>Φ3.5×14mm</p> <p><i>x16</i></p>	<p><i>G</i></p>  <p><i>x2</i></p>
---	--	--



	<p><i>H</i></p>  <p>Φ8mm</p> <p>x2</p>	<p><i>I</i></p>  <p>Φ5×50mm</p> <p>x2</p>
---	---	--

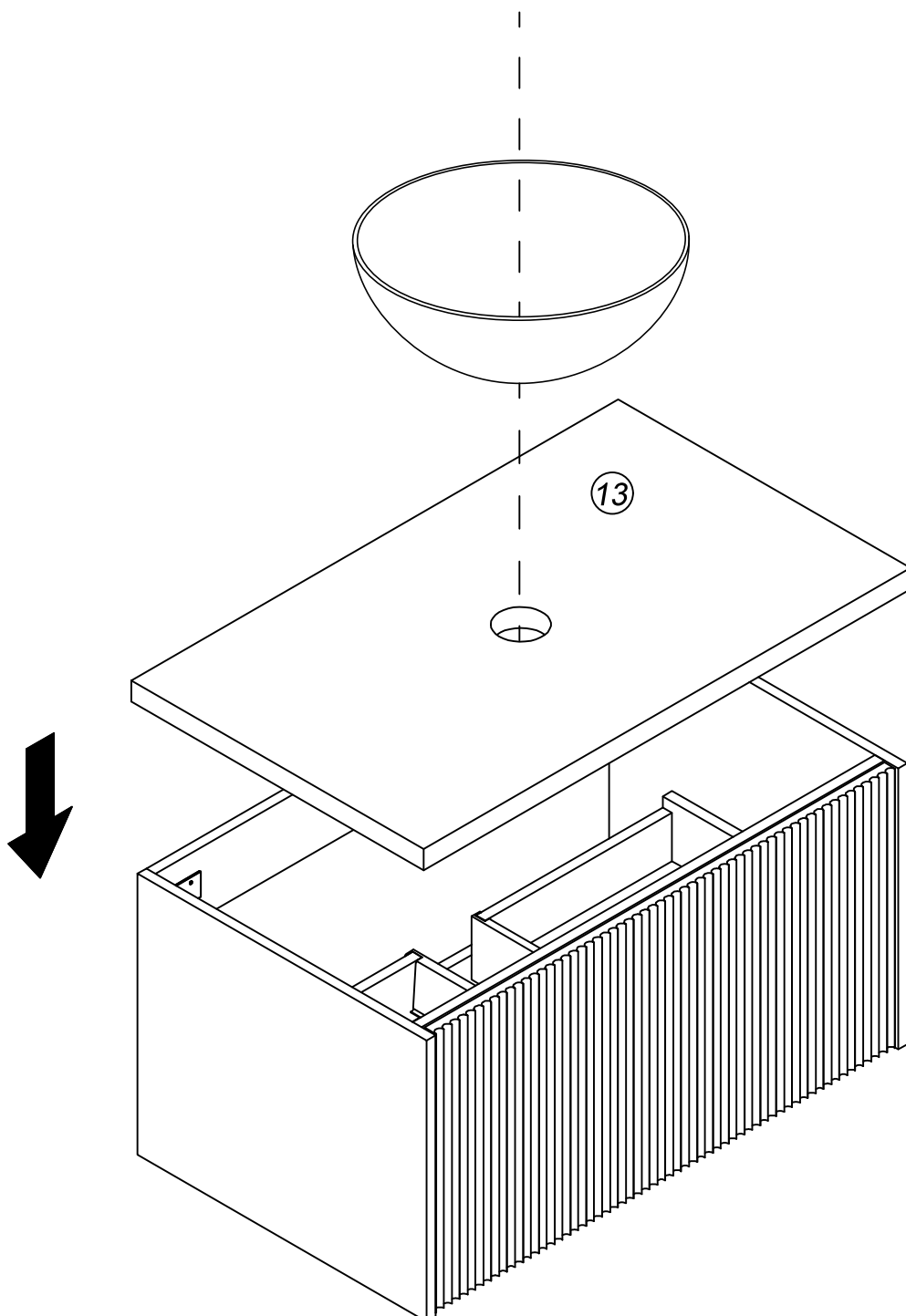


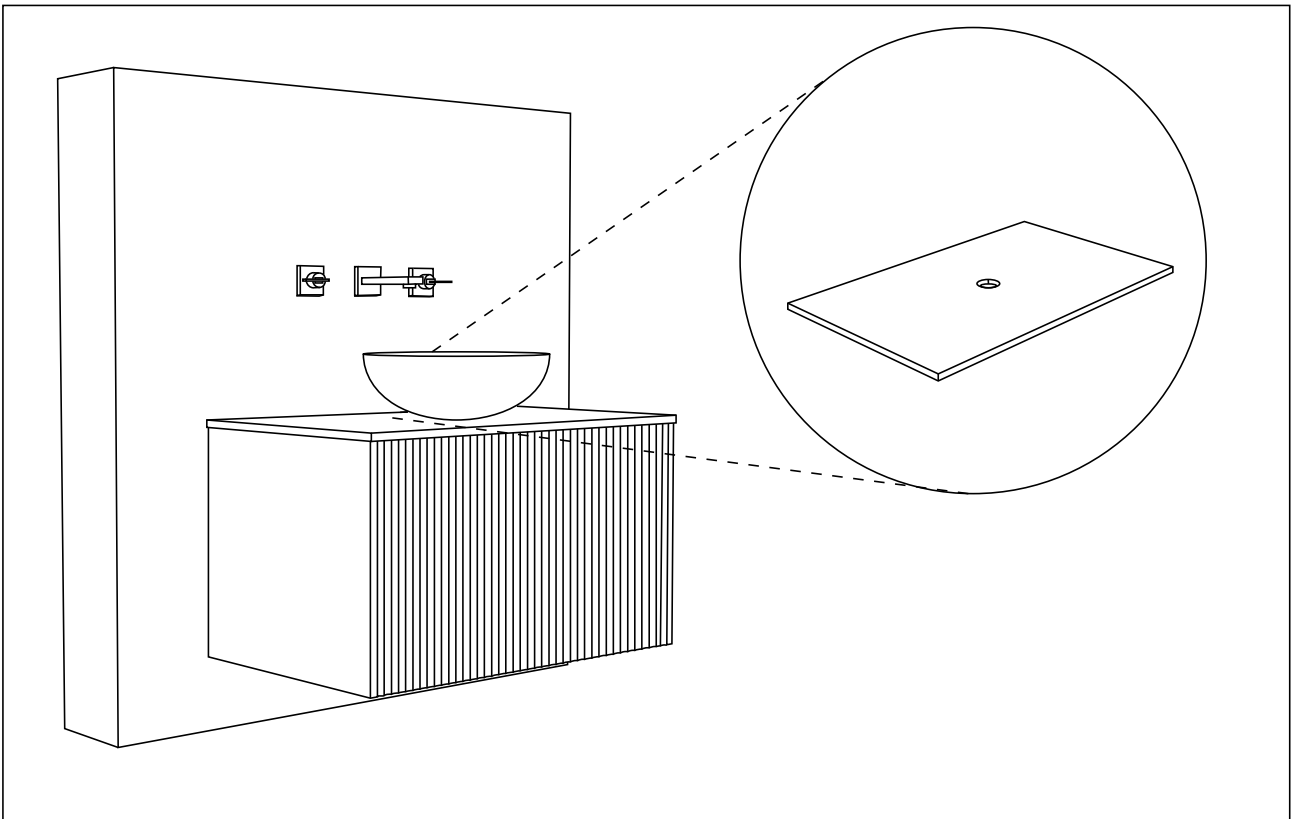
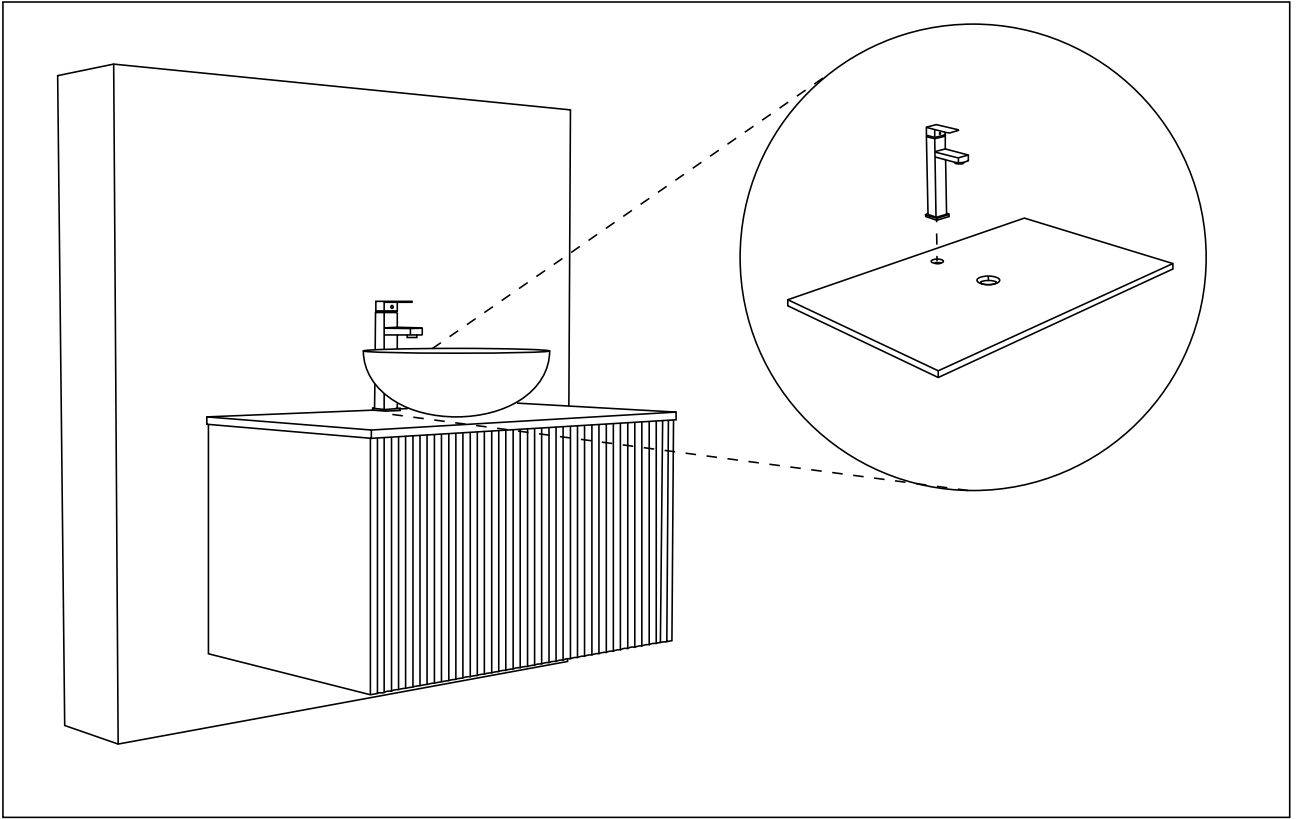
NOTE:

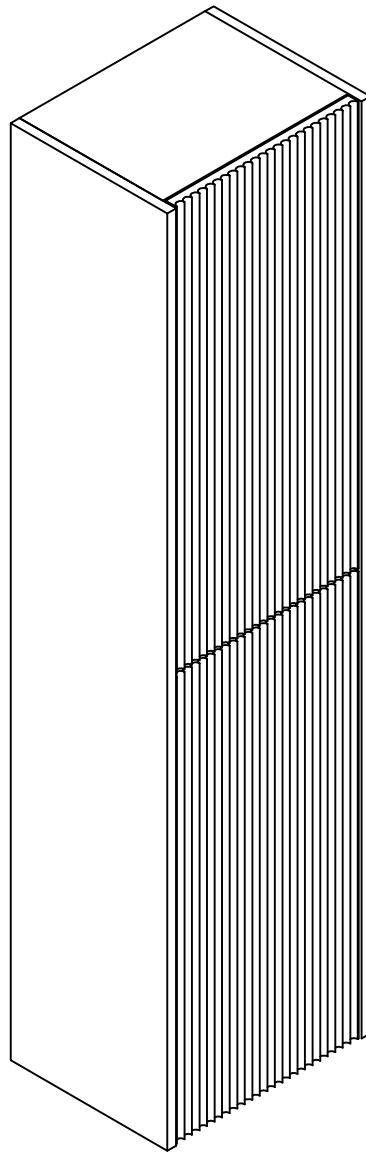
The countertop is supplied without pre-drilled holes. This gives you the flexibility to decide the ideal position for your basin and faucet according to your installation needs.

When drilling, please use the appropriate tools and measure carefully. If you are unsure, we recommend consulting a professional installer.

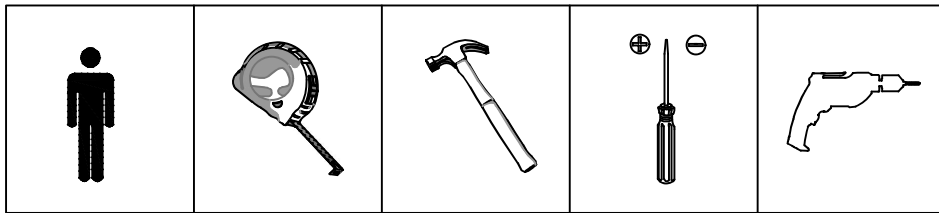
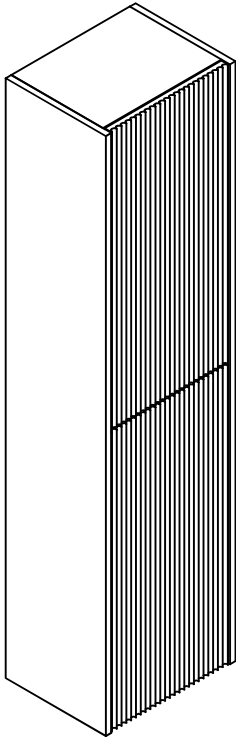
Please note that incorrectly drilled holes are not covered by warranty.



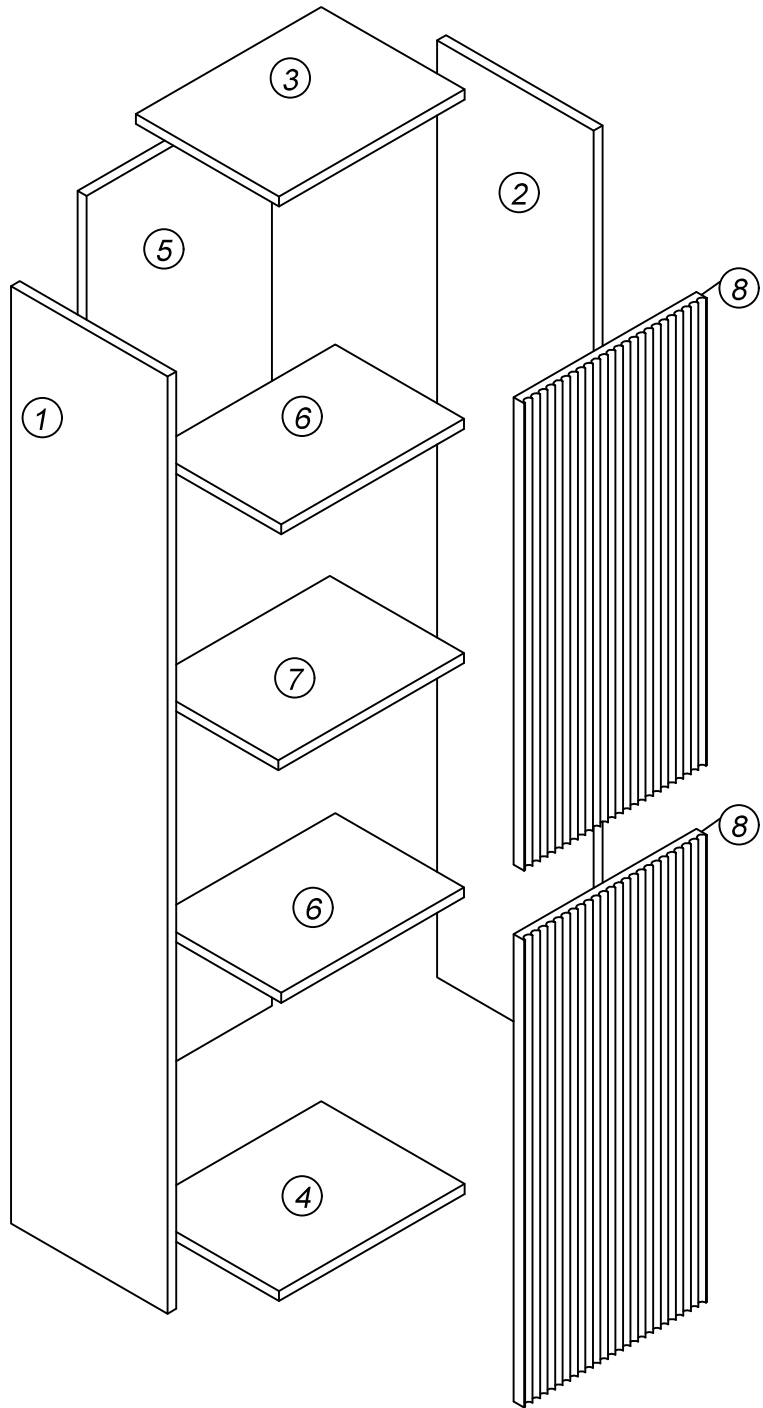
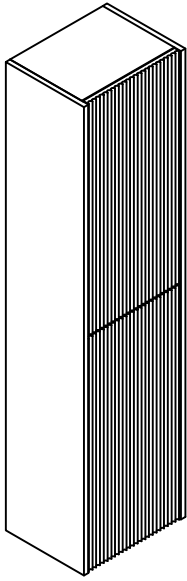


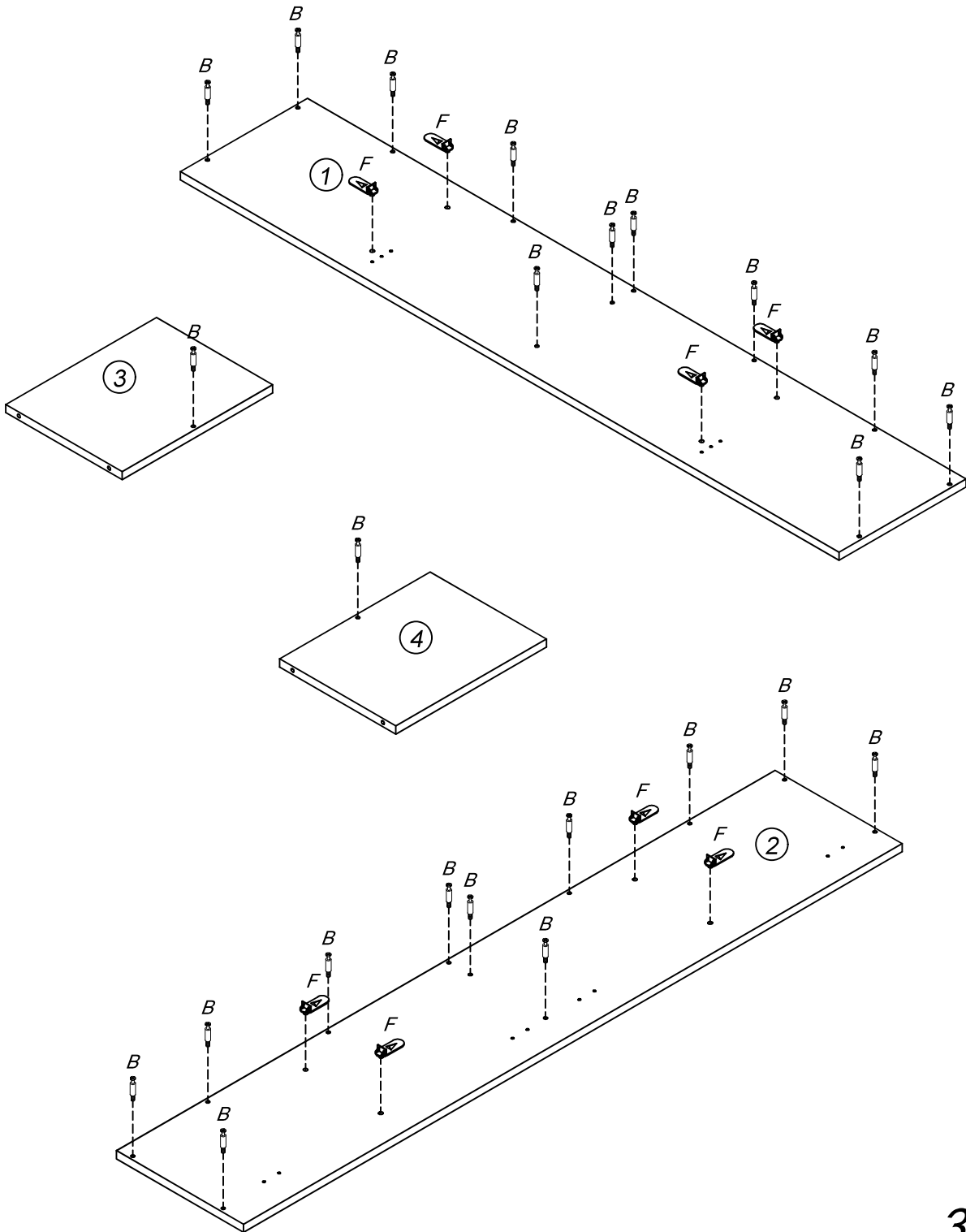
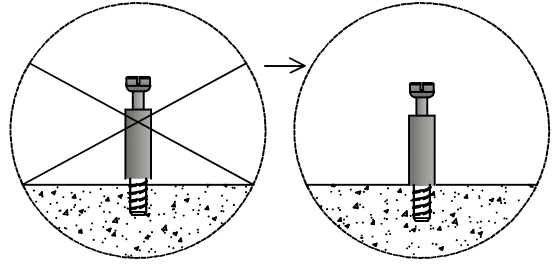
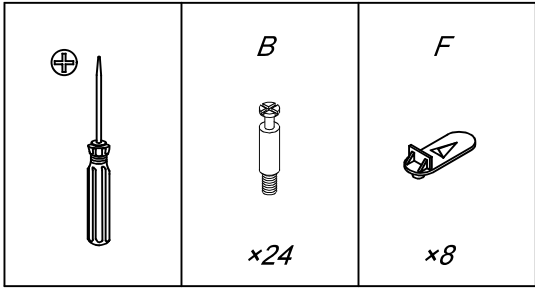


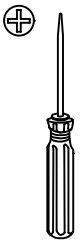

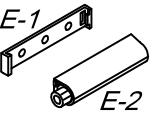
———— INSTRUCTION MANUAL ————

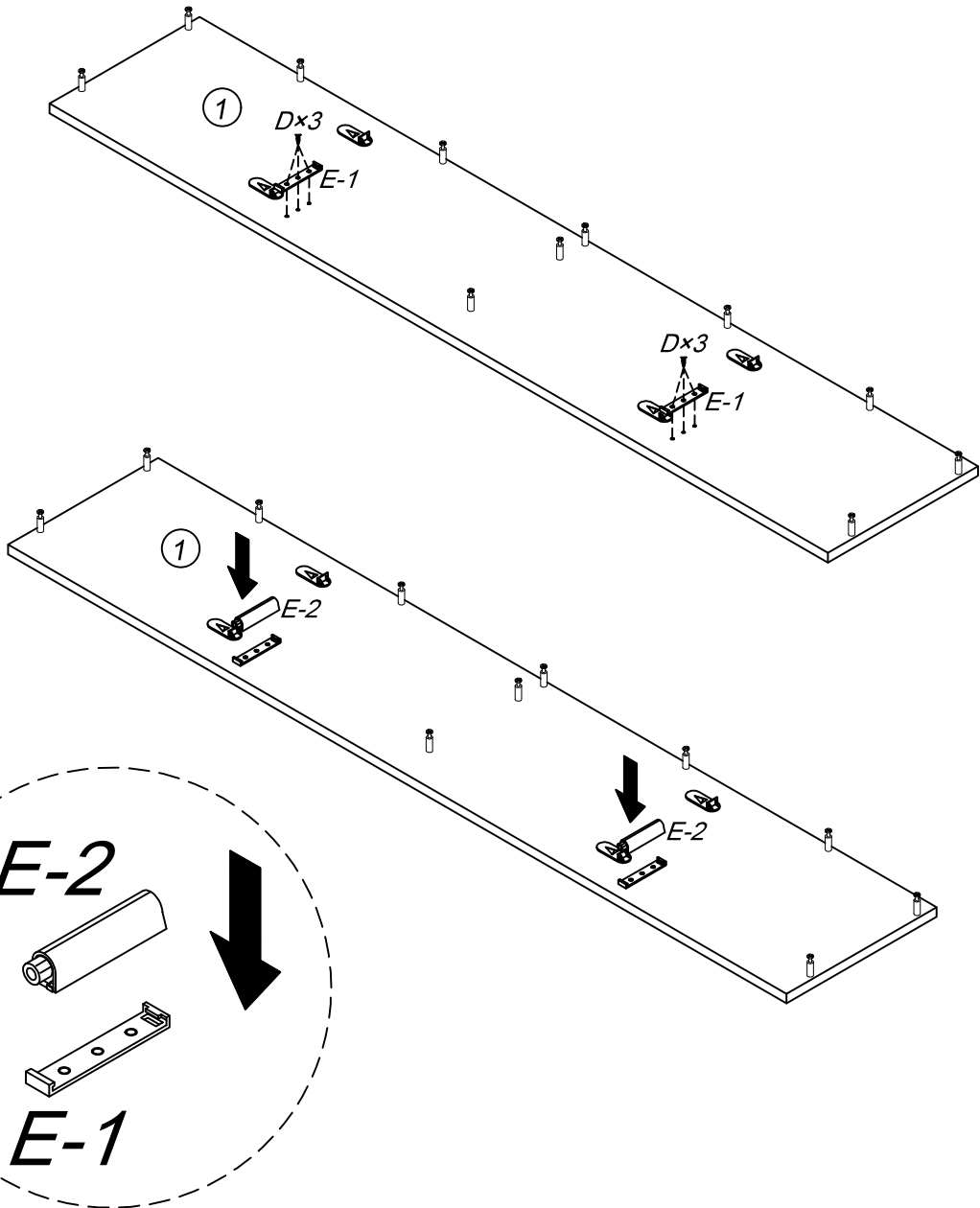


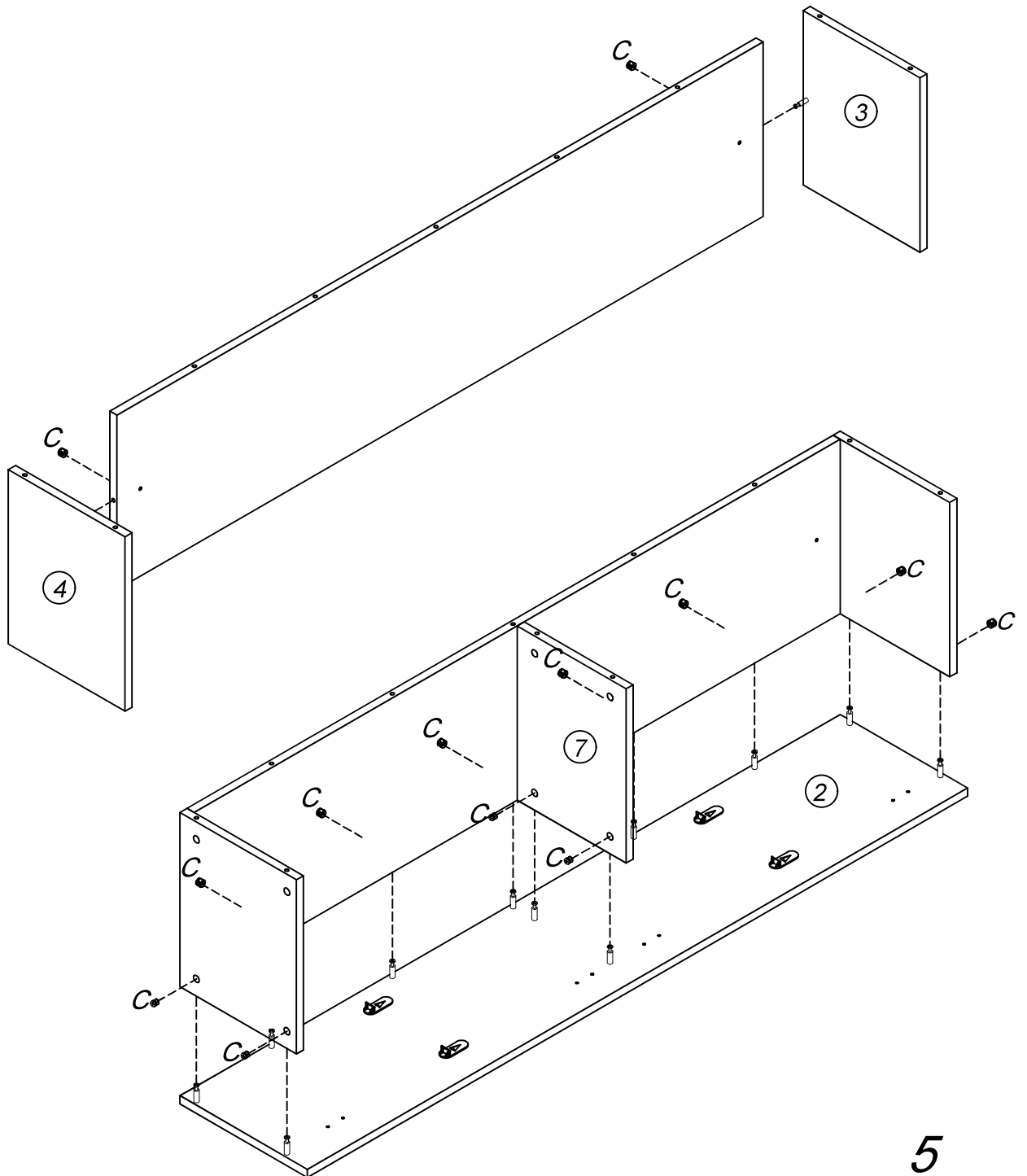
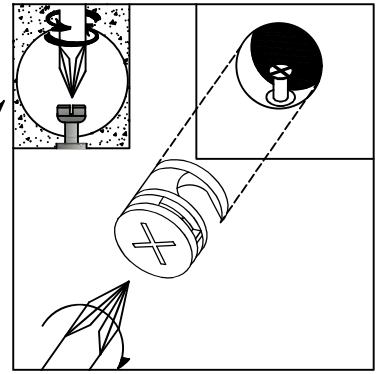
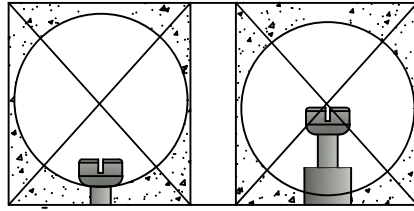
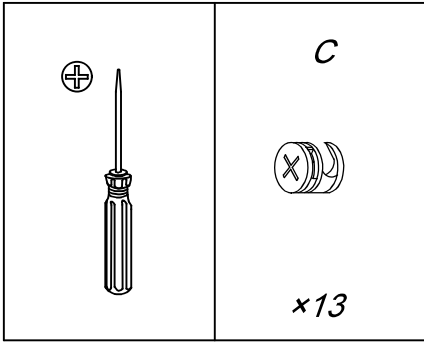
<i>A</i> x4	<i>B</i> x24	<i>C</i> x24	<i>D</i> Φ3.5×14mm x30	<i>E</i> x2
<i>F</i> x8	<i>G</i> x2	<i>H</i> x2	<i>I</i> x2	<i>J</i> x2

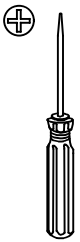





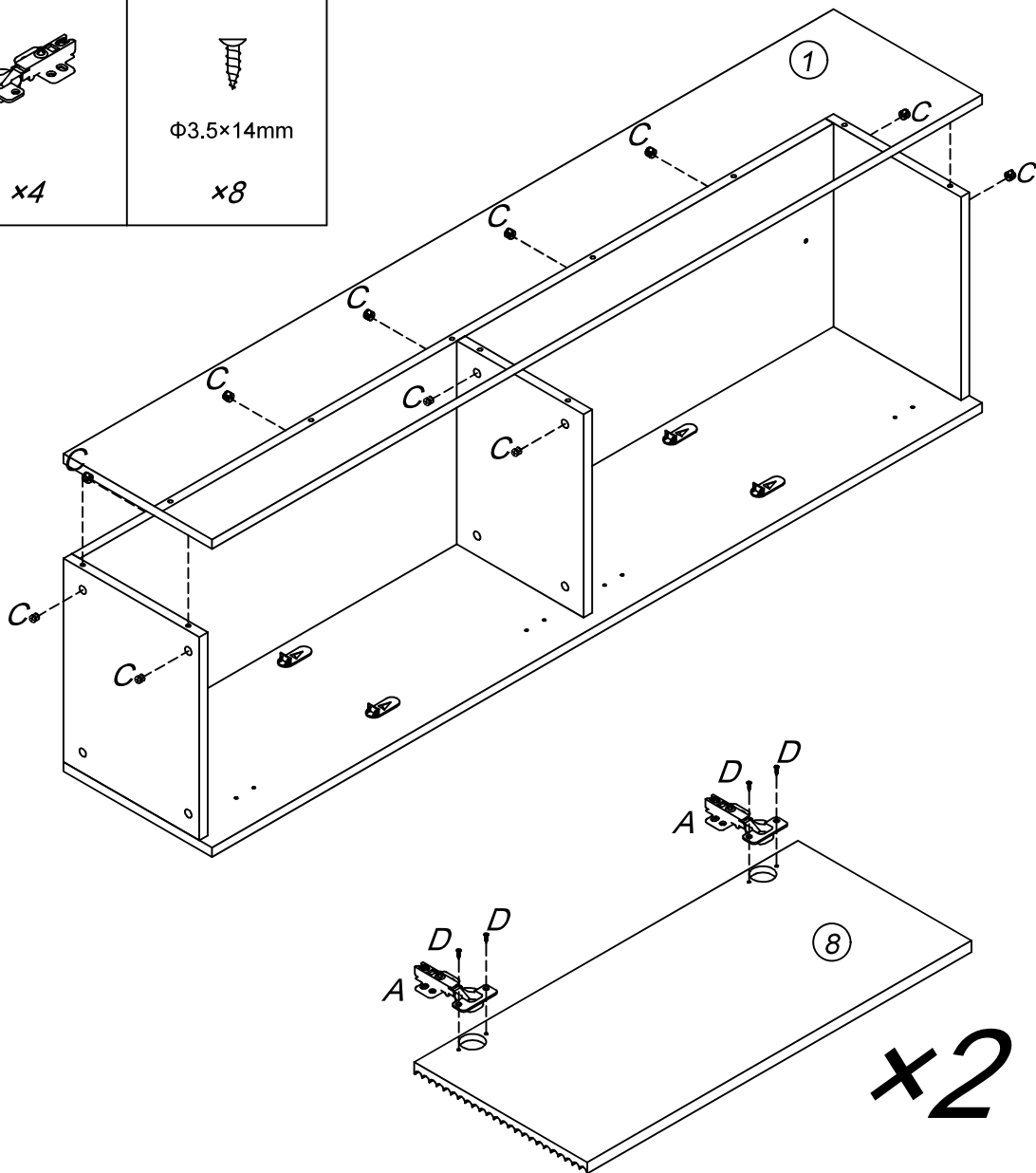
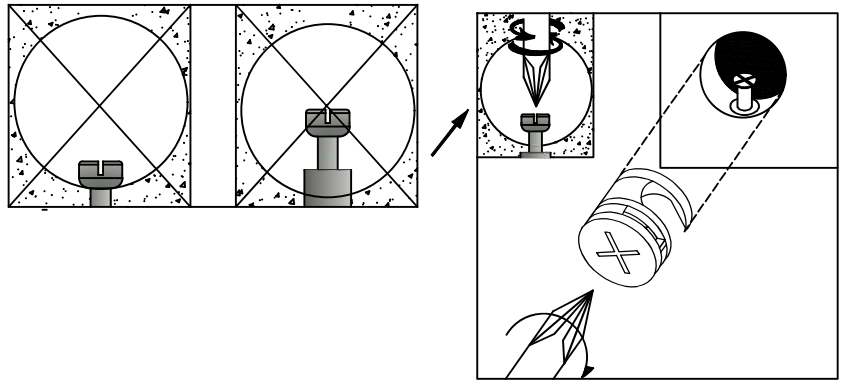


	<p><i>D</i></p>  <p>$\Phi 3.5 \times 14 \text{mm}$</p> <p><i>x6</i></p>	<p><i>E</i></p>  <p><i>E-1</i></p> <p><i>E-2</i></p> <p><i>x2</i></p>
---	---	--

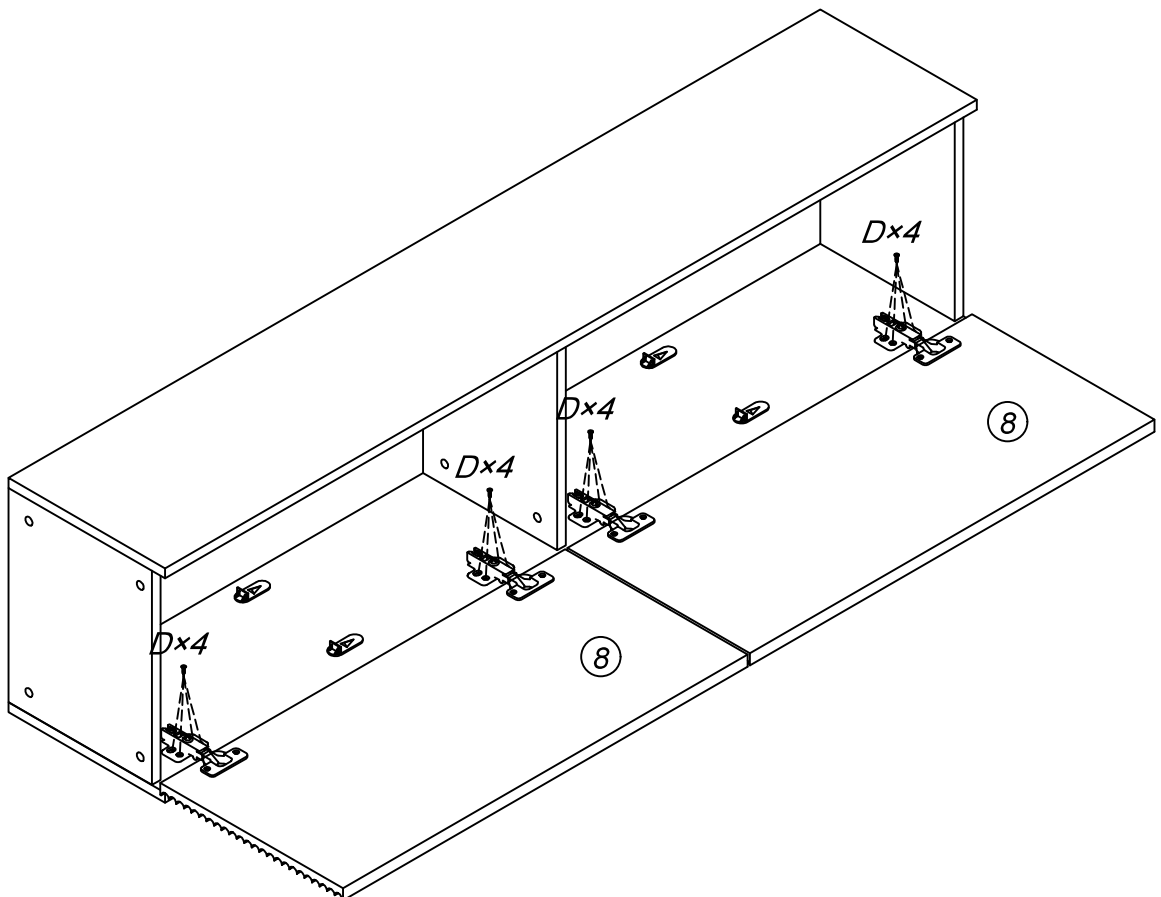
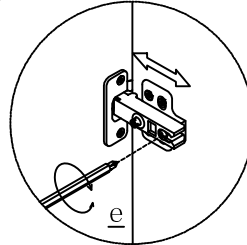
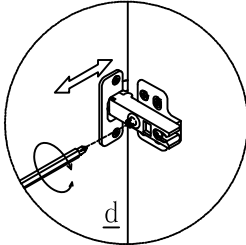
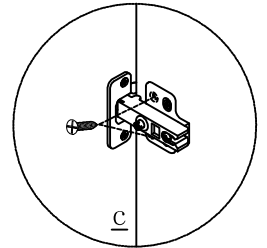
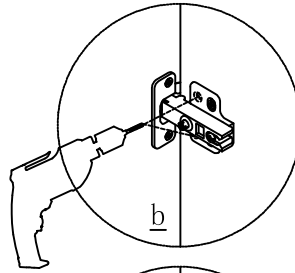
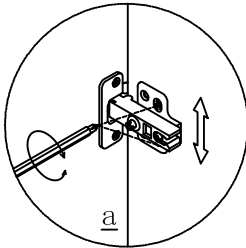
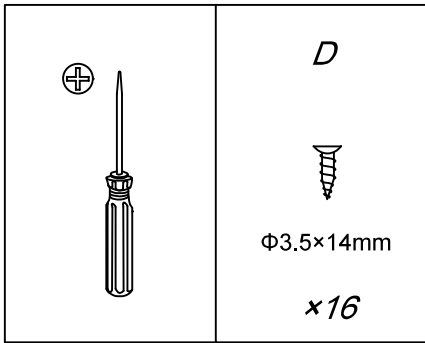









	<p><i>C</i></p>  <p>x11</p>
<p><i>A</i></p>  <p>x4</p>	<p><i>D</i></p>  <p>Φ3.5×14mm</p> <p>x8</p>



x2



- ⊕

- G*

- x2*
- H*

- x2*
- I*

- x2*
- J*

- x2*

