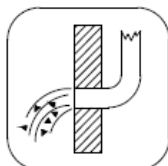


Installation and Usage Precautions

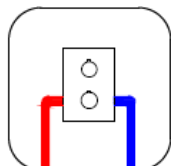
1. The installation size of the embedded pipeline must match the standard installation size of this product.
2. The main body of the faucet has been tested and adjusted by the factory. Please do not disassemble it yourself, as this may affect performance.
3. Pay special attention when connecting the faucet to the cold and hot water pipes: connect hot water to the left and cold water to the right (or hot water on top and cold on the bottom for horizontal installations).
4. Before installing the faucet, be sure to remove impurities and sediment from the pre-installed water pipe to avoid blockage, which could affect water flow and temperature regulation.
5. After installing the connector, turn on the water supply and check if the connection is tight to ensure there are no leaks.



Prohibition of disassembly



Flush the pipeline



Check for hot and cold

Service Terms

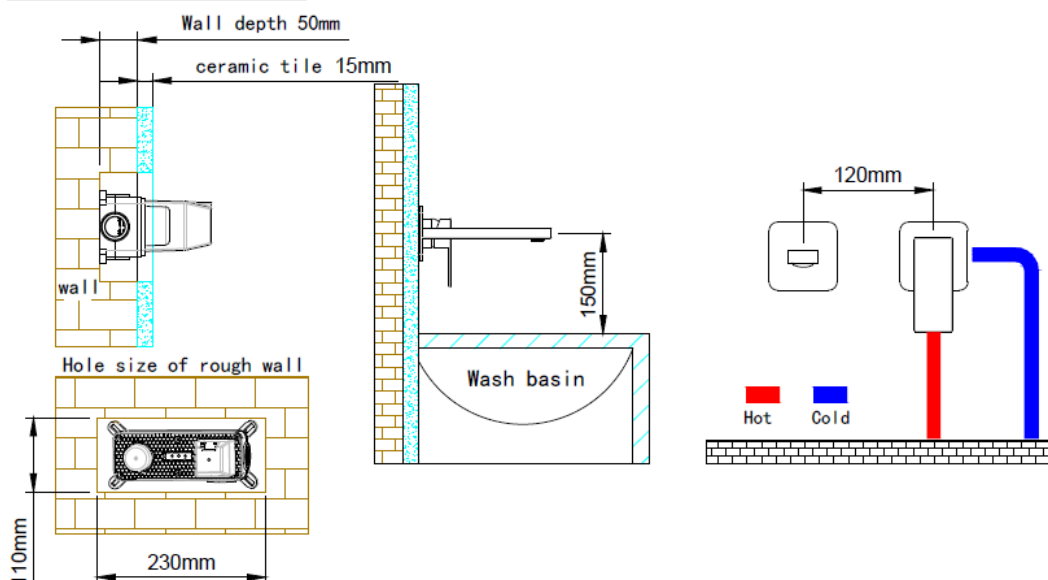
Thank you for choosing this built-in faucet. To protect your rights, please read the following warranty terms carefully:

- Users are entitled to free warranty service within a period of three years by presenting the original warranty card along with the invoice or proof of purchase (copies are not accepted).
- 1. The free warranty does not apply in the following cases:
 2. The warranty period has expired or the user cannot provide a valid warranty card or proof of purchase.
 3. Defects caused by incorrect installation, use, or maintenance that does not comply with the manual.
 4. Defects or damage caused by aggressive cleaning agents (such as those containing acetone or ammonia) or disinfectants containing formate or formaldehyde.
 5. Defects or damage resulting from uncontrollable external factors such as natural disasters (e.g., earthquakes, fire) or accidents (e.g., impact, dropping, stepping on).
- LOMAZOO is only responsible for defects in the original factory product. Installation or modifications by users or dealers without authorization, as well as damage caused by misuse, are not covered under warranty.
- The warranty period begins on the date of receipt.
- For questions regarding usage, maintenance, or warranty, please contact LOMAZOO customer service.

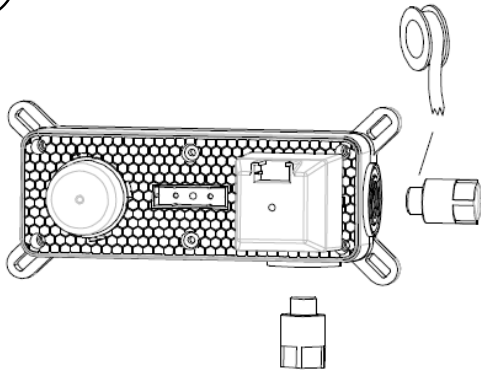
Maintenance and Upkeep

1. To maintain a smooth and shiny surface on the faucet, regularly clean it with clean water and a soft cloth.
2. Do not use detergents or nylon brushes containing abrasive materials, as these may damage the surface.
3. If strong acid or alkaline cleaners are used, they may cause corrosion. Do not use them.
4. If detergent is used to clean utensils, be sure to rinse the utensils thoroughly before placing them near the faucet to avoid detergent residue damaging the faucet surface.

Concealed face plate faucet

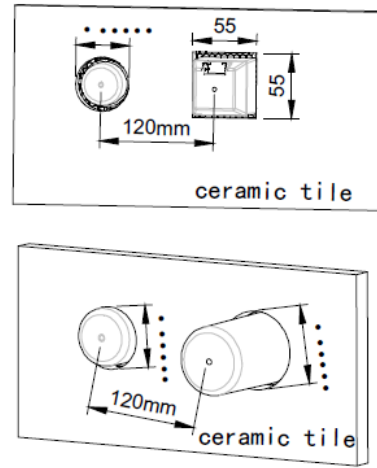


1



Seal the threaded connection area with PTFE (raw material) tape.

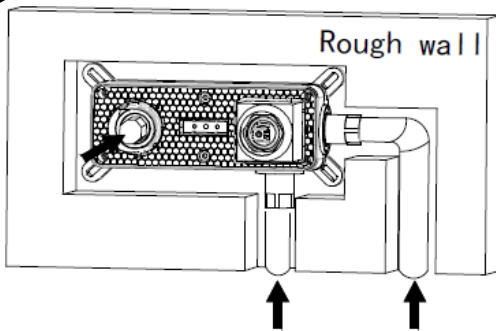
4



Drill holes in the ceramic tiles according to the external dimensions of the installation box (round or square cover).

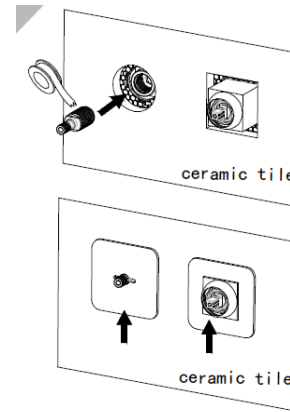
- For round covers: drill a 120 mm diameter hole
- For square covers: drill a 55 × 55 mm square hole

2



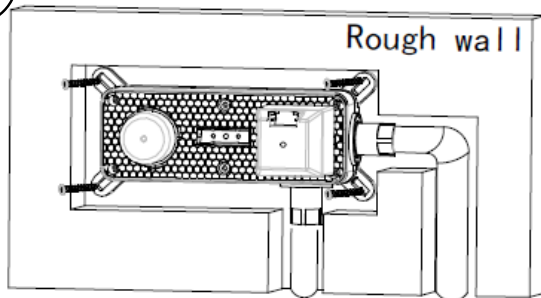
Remove the protective cover, open the valve core, and flush out any impurities or sludge from the pipeline. Then close the valve core and test the water pressure. If there is no leakage, the connection is secure. Before tiling, reinstall the protective cover to prevent damage to the main body.

5



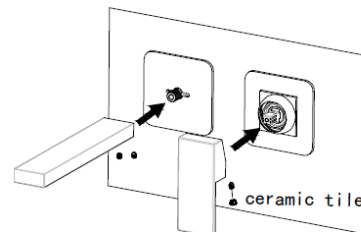
Remove the plastic plugs. Wrap PTFE (raw) tape around the threads of the water outlet connectors. Screw them into the main body, then cover them with the decorative panel.

3



Connect the main body to the water pipes. Position it against the wall and mark the outline with a pencil. Then create a groove in the wall, insert the adhesive anchors, and secure the main body using self-tapping screws.

6



Install the water outlet pipe and the handle.