

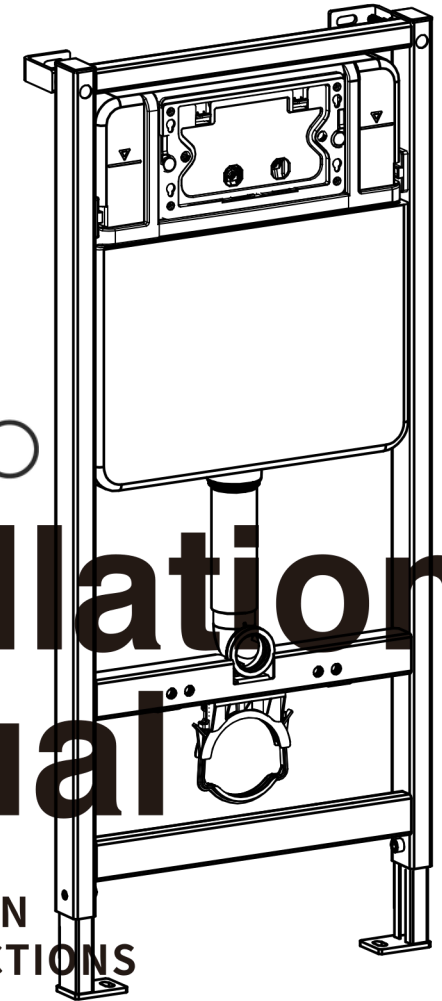
Thank you for choosing us!

LOMAZOO

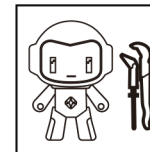
Installation Manual

**MECHANICAL
CONCEALED CISTERN
ASSEMBLY INSTRUCTIONS**

Model No.: AJ400



**SMART
SPACE
SYSTEM**



Concealed Cistern installation instructions(hanging toilet)

Parts List

Tips:
Please install this product before paving tiles. Before installing, confirm the installation location and confirm the horizon after the completion of the project. Draw the horizon on the installation wall. This product is installed as a baseline for the installation height.

Product specifications

Product specifications

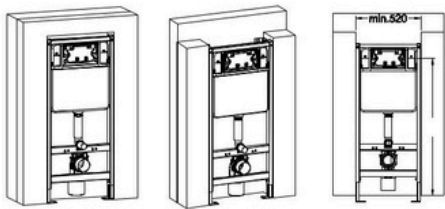
Note: Slim type can be installed in the 115mm thick wall.

Standard type specifications

Note: Standard type can be installed in the 135mm thick wall.

Installation Steps

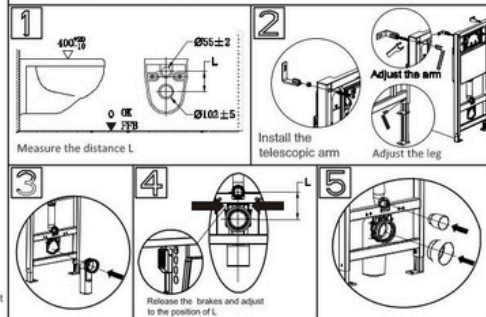
1.False wall (half false wall)



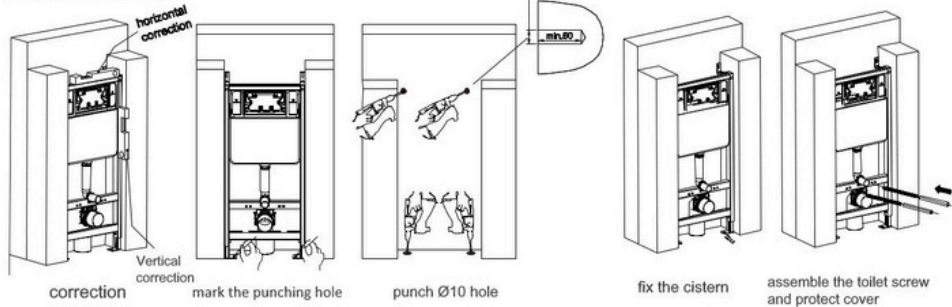
false wall half false wall

- (1) the wall can be brick or gypsum board.
- (2) reserved for water pipes.
- (3) false wall installation tank location at least 520mm wide.

2.Adjustment before Installation



3.Install the cistern



Warm tips: Before installing the cistern, please make sure that you have installed a floor drain that meets the National Standard.

NOTE: the size unit is mm, ϕ = the floor height after the project. The fill water pressure and stop filling pressure is between 0.01MPa-2.0MPa, water temperature: 2°C-45°C, flush volume can be adjustable.

4.Connect the water inlet

Connect the water pipe

Drain the debris inside the water

Put the parts into right position

5.Preparation before paved

Warm tips:
Before paving, please check the water supply and cistern, ensure no water leakage in water supply and cistern.

Check method:
Switch on the angle valve and full fill the cistern with water. Watch and make sure there is no leakage between the cistern and the connection pipe. Then switch off the angle valve and drain the cistern.

6.Pave

Cover the concealed system with gypsum board or composite panel, and finally pave it with tiles. Wall paving thickness: minimum 20mm and maximum 70mm.

Note: The gap between the tiles and the inspection opening protection set should be no less than 3mm.

7. Install the flush plate

Adjust the arm

Adjust the leg

Release the brakes and adjust to the position of L.

8. Install the toilet bowl

Lubricate with cleanser or water.

Cut-out parts

Chamfer and equating.

9.Installation finished

Note: Verify all the connection pipes without leakage, dripping after water testing then fixing the toilet with glass cement.

Maintenance Guideline

Access steps

- 1
- 2
- 3
- 4
- 5
- 6
- 7

Disassemble the fill valve

- 1
- 2
- 3
- 4

Note: Press the fill valve holder buckle and put forward the fill valve at the same time.

Disassemble the flush valve

- 1
- 2
- 3
- 4

Note: Press the flush valve holder buckle and put forward the flush valve at the same time.

Note: The step of the assemble is opposite to the disassemble. Please carefully make sure the position of each component, adjust and put it into the right position.

Removal Of Usual Fault

Fill Valve			Flush Valve		
Trouble	Reason	Trouble shooting	Trouble	Reason	Trouble shooting
NO filling	Blockage caused by the junk in the filter	Clean the filter	NO flushing	Actuation rods too short or break	Replace the actuating rods
Too low or too high water level	The fill valve float is too low or too high	Heighten the water level		Junks on the seal silicon	Clean the seal silicon and valve holder
Flu sealing	The working valve fitted junk	Clean the working valve parts	Water leakage	Flush valve washer out of work	Replace flush valve washer
				Flush valve blocking	Clean the junks

① Remove the filter by sharp-nose plier and clean it

② Turn the screw and adjust the water level.

③ Rotate 45° counterclockwise to remove the valve core and clean it.

① Clean the junks or change the seal silicon

② Clean the holder or replace the washer

③ Adjust the half flush volume by toggling half flush piece.

④ Adjust the full flush volume by toggling full flush piece.

Note: Please consult professional if the trouble can not be solved.

ECO Concealed Cistern

Thank you for choosing us

Warranty Card

All products are made in accordance with ISO-9001 quality system certification management standards, product testing are in line with or exceed the national standard, thus the company's Eco concealed cistern as long as the correct installation and normal use can enjoy the following service:

1. Technical instruction or accessory replacement will be provided if any trouble caused by the quality during the 5 years warranty.
2. The cost of the parts will be charged by providing accessories if the damaged caused by the incorrect using or other reason.
3. The cost of the parts will be charged by providing accessories if it beyond warranty.

Tips: This card should be kept properly, will be considered beyond the scope of the warranty if lost.

Certificate of Qualification

ECO concealed cistern

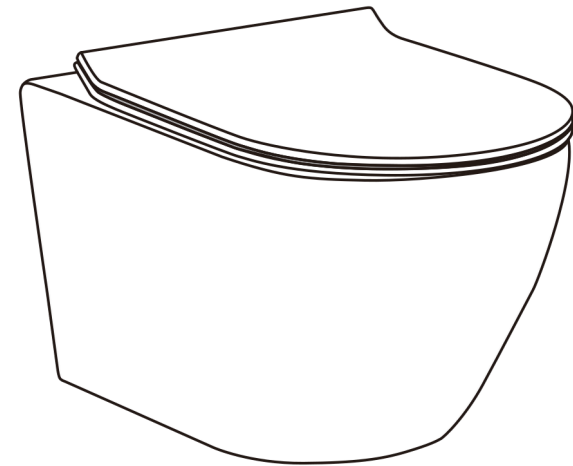
Production standards:
GB/T 26730-2011

Inspectors:



LOMAZOO
Wall-Hung Toilet
INSTALLATION INSTRUCTIONS

Thank you for choosing us!



WALL-HUNG TOILET

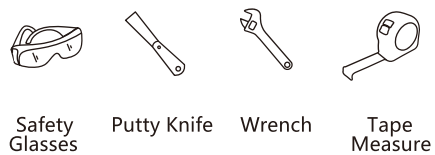
INSTALLATION INSTRUCTIONS



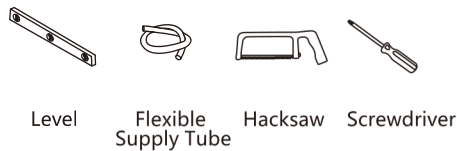
PRIOR TO INSTALLATION:

- Inspect toilet to ensure no damages have occurred while in shipping.
- Observe all plumbing and building codes in accordance with your state and local requirements.
- All dimensions are nominal! Be sure to measure your toilet prior to installation.
- The step-by-step guidelines in the installation instructions are a general reference. Should there be any discrepancies, we cannot be held liable. It is recommended to install all our products By hiring a licensed professional.
- Read installation and maintenance instructions thoroughly before installing. Be sure to use proper tools and always wear proper personal safety accessories for your protection.
- Two people are recommended to handle and install this product as it is fragile.

SUGGESTED TOOLS & MATERIALS:



Safety Glasses Putty Knife Wrench Tape Measure

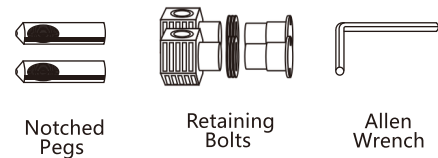


Level Flexible Supply Tube Hacksaw Screwdriver

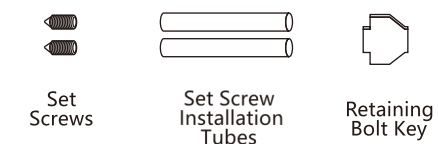
REQUIRED PARTS:



Wall-Hung Toilet Outlet Pipe & Inlet Pipe (Included with tank carrier system - sold separately)



Notched Pegs Retaining Bolts Allen Wrench



Set Screws Set Screw Installation Tubes Retaining Bolt Key

WALL-HUNG TOILET

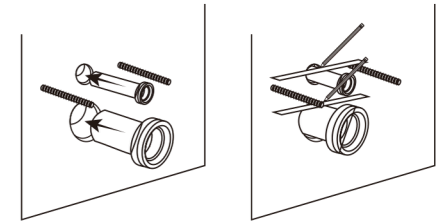
INSTALLATION INSTRUCTIONS

1. Install Tank Carrier System

- Before toilet bowl installation, a wood frame and commercial or residential tank system is required.
- Install according to manufacturer's instructions.

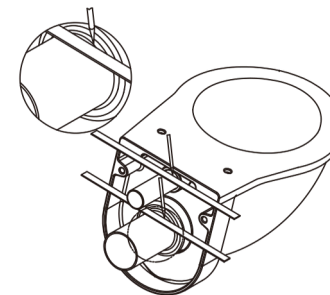
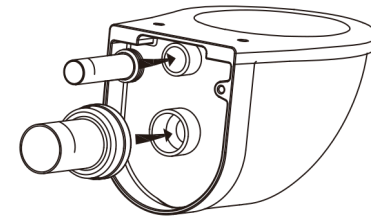
2. Dry Fit Outlet Pipe and Inlet Pipe

- Fully insert straight tube into cistern flushing outlet then connect pipe into discharge outlet.
- Draw lines to mark the finished wall location on each pipe as pictured below.



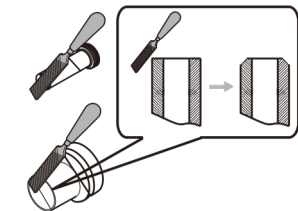
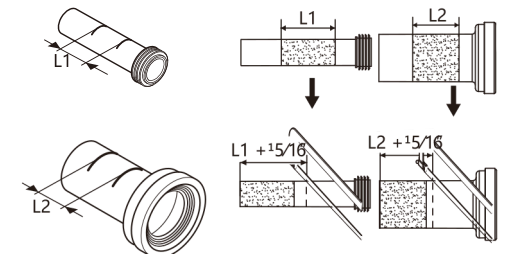
3. Determine Pipe Size

- Apply lubricant on rubber washers of straight tube and connecting pipe, then insert into holes.
- Draw lines on pipes as pictured below.



4. Cut Pipes

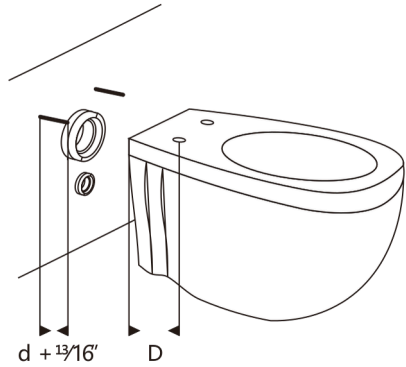
- Measure the distance between both marked lines on pipe. Take measured distance, deduct from bald end of pipe and cut pipes as shown below.
- After cutting, take a file and remove all burrs. Try and bevel pipe edge.
- L1: The distance between the two lines on the straight tube.
- L2: The distance between the two lines on the connecting pipe.



WALL-HUNG TOILET

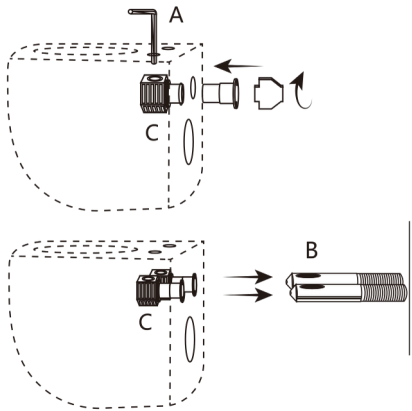
5. Adjust Connecting Bolt Length

- Measure and adjust the length of the connecting Bolt to be $d + 1\frac{3}{16}$ ".



7. Attach Bowl

- Insert the retaining bolt (C) into the mounting hole on the back of the toilet from the inside.
- Secure the retaining bolt by screwing the two parts together using the retaining bolt key, use the allen wrench (A) to hold the retaining bolt (C) in place to tighten. Repeat for the other mounting hole.
- Apply lubricant to the joint surface on straight tube and connecting pipe, then place bowl onto the mounting bolts.

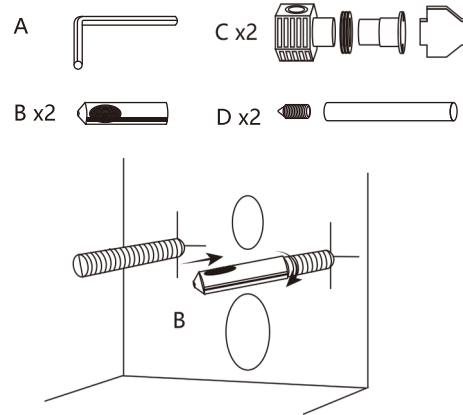


3

INSTALLATION INSTRUCTIONS

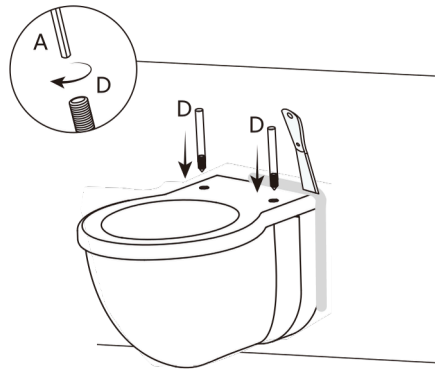
6. Anchor Bowl

- Hand tighten the notched pegs (B) onto the mounting bolt, be sure the notch is facing up.



8. Secure and Seal

- Insert set screws (D) into the top of the retaining bolts (C) using the set screw installation tubes, then tighten with the allen wrench (A) to secure the bowl.
- Fill any gaps with cement or sealant to seal.



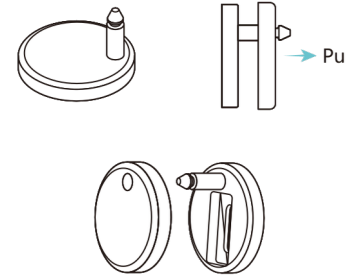
WALL-HUNG TOILET

INSTALLATION INSTRUCTIONS

TOILET SEAT INSTALLATION

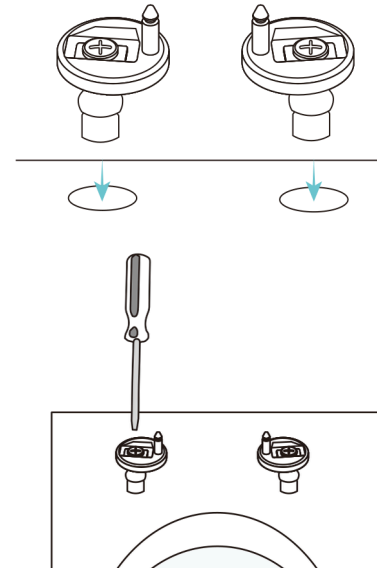
1. Disassemble

- Disassemble the cover cap and the hinge.



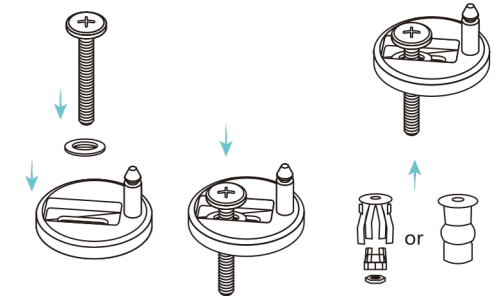
3. Attach Hinges

- Insert hinges with blind hole screw fixings attached into holes on toilet bowl.
- Lightly tighten hinges with a screwdriver too allow for later adjustment.



2. Construct Hinges

- Insert screw and nut into the hole on the hinge.
- Attach blind hole screw fixing to the bottom of screw.

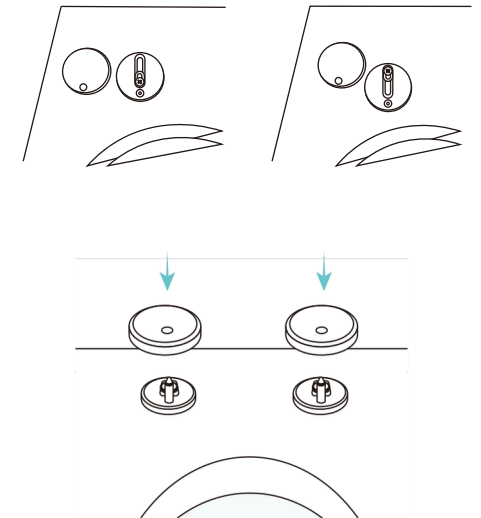


4. Adjust and Cover Hinges

- Be sure the hinge is all the way forward for proper seat fitting.
- Place the covers onto the hinges.

Incorrect:

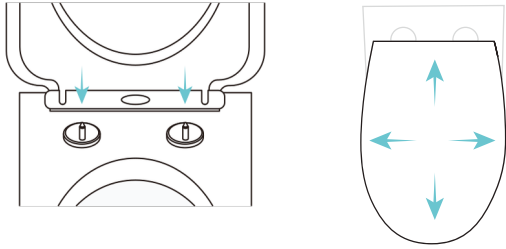
Correct:



4

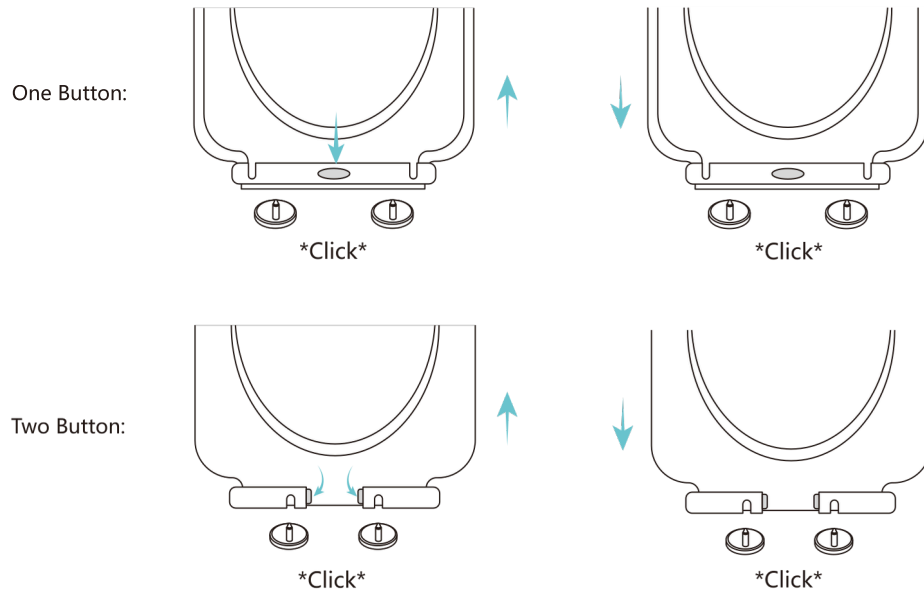
5. Adjust and Attach Seat

- Align seat to the hinges then firmly tighten the hinges.
- Attach seat to the secure hinges.
- Adjust seat to align to the bowl.



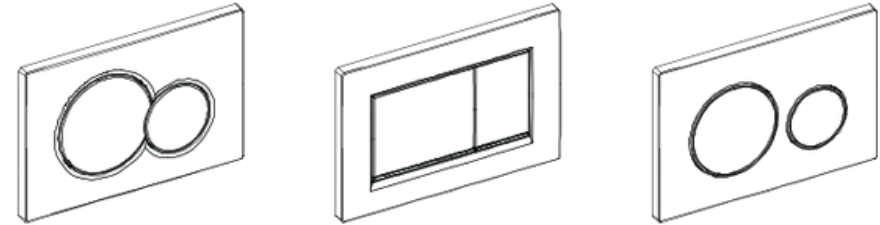
TOILET SEAT USAGE

- To remove, push middle button until you hear a “click”, then pull straight up.
- To re-install, align hinge posts with reference marks on seat, then push down until your hear a “click”.



The Wall hung Toilets are made with quality materials and excellent craftsmanship to provide our customers with beautiful, durable, long-lasting products. Should there be any defects in materials or Craftsmanship under regular use that are discovered within the first year of installation, The Toilets will provide replacement parts at no charge, or at its discretion, replace any product or part of the product that is deemed defective, under normal installation, use, service or maintenance. This warranty applies only to the original purchaser. Proof of purchase will be required in the instance of a claim.

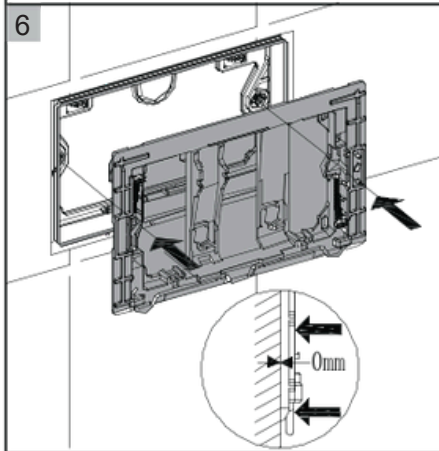
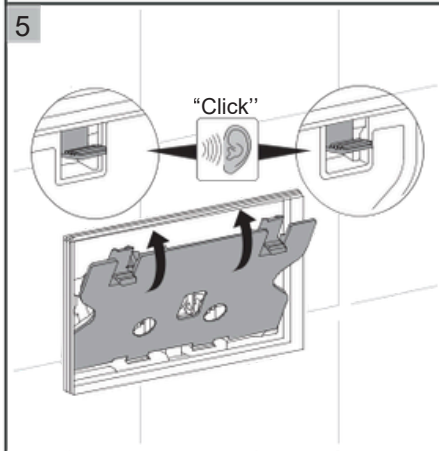
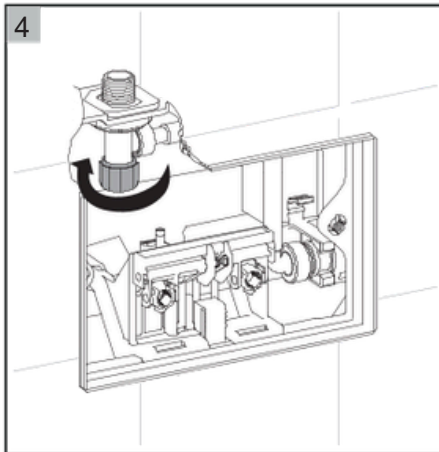
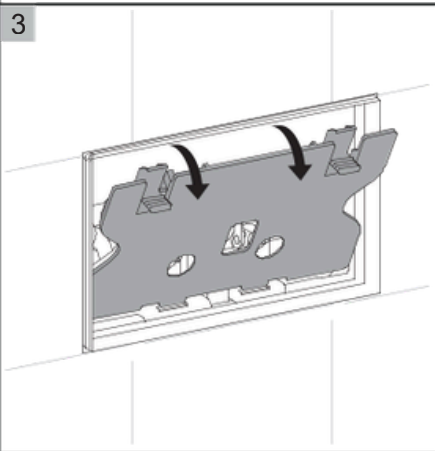
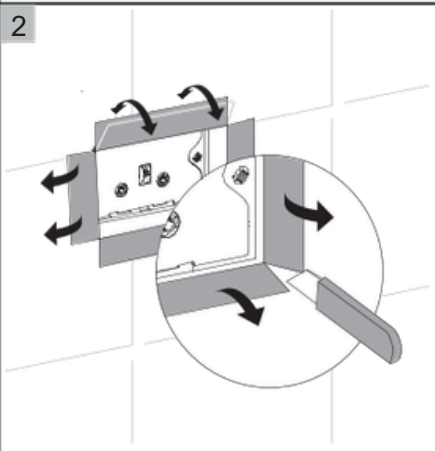
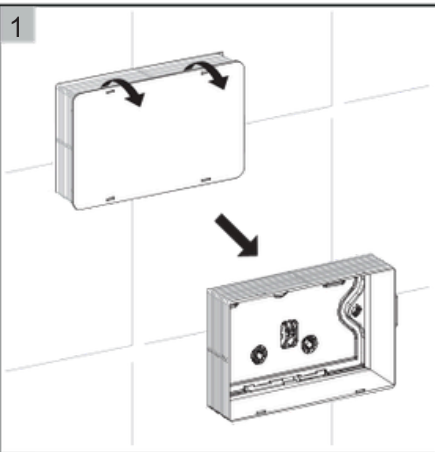
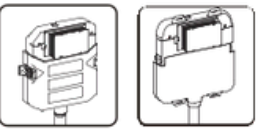
⚠ WARNING: Contents of your order may contain sharp and possibly other harmful pieces and may Cause hazard to children and adults. The Products are not responsible in any way for personal damages.



Installation Manual

MECHANICAL FLUSH PANEL
ASSEMBLY INSTRUCTIONS





Installation

LOMAZOO

