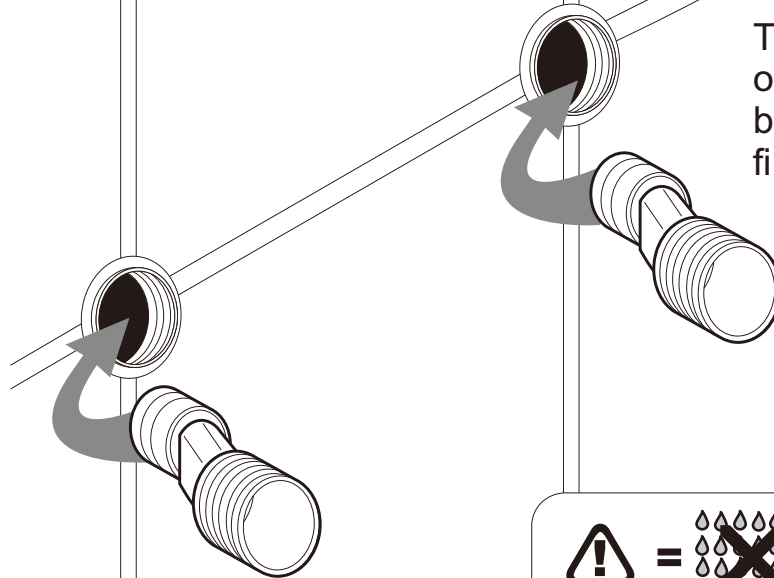


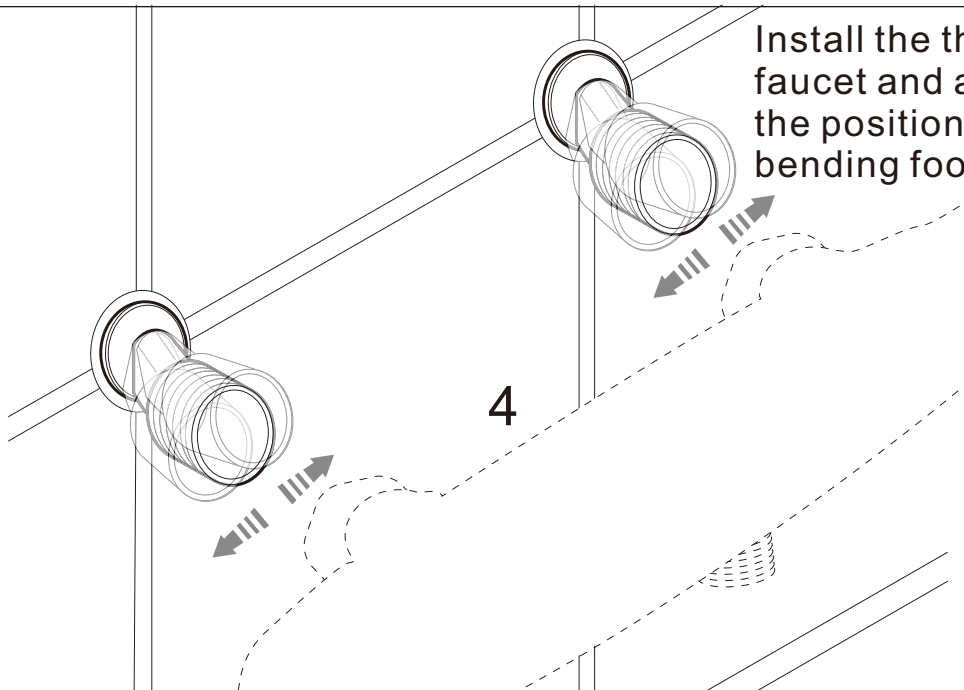
3



Twist the twisted leg  
of the raw material  
belt to the wall with  
fixed pliers, do not leak



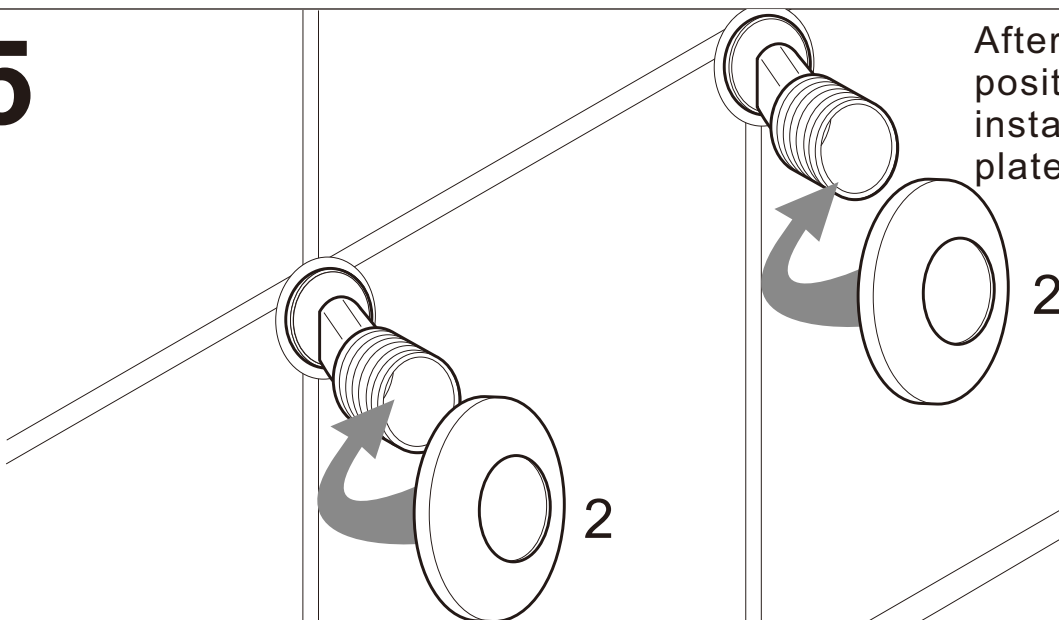
4



Install the thermostatic  
faucet and adjust  
the position of the  
bending foot

4

5



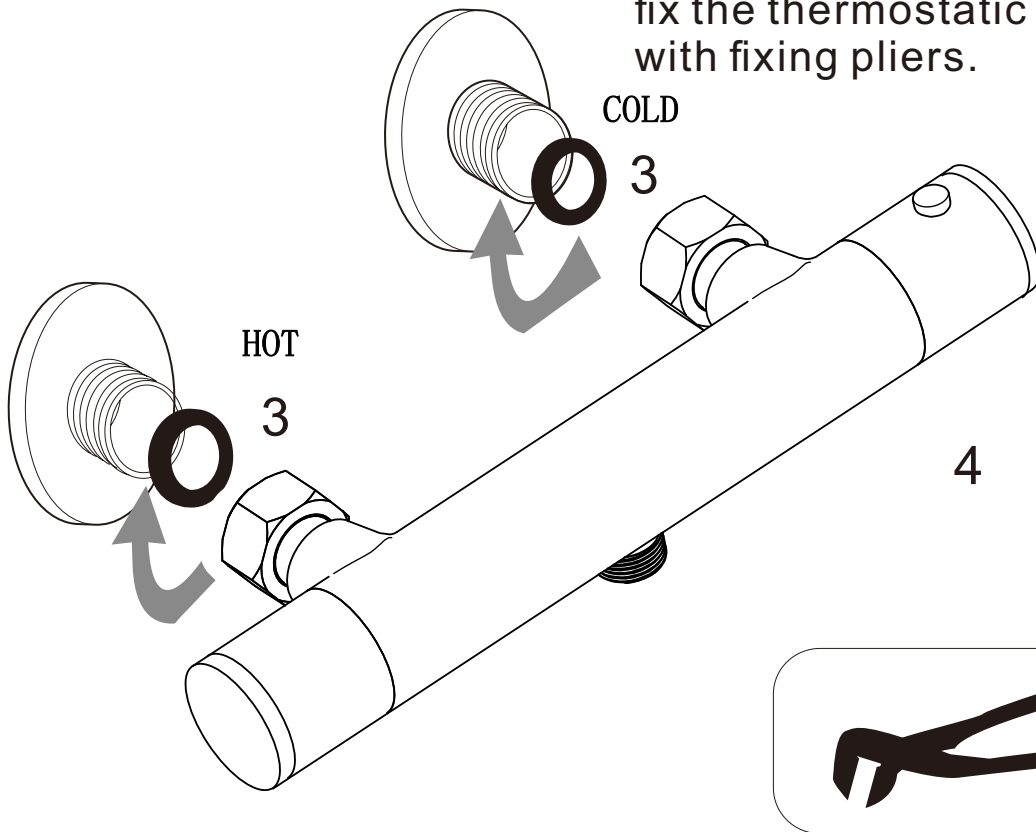
After determining the  
position of the foot,  
install the decorative  
plate

2

2

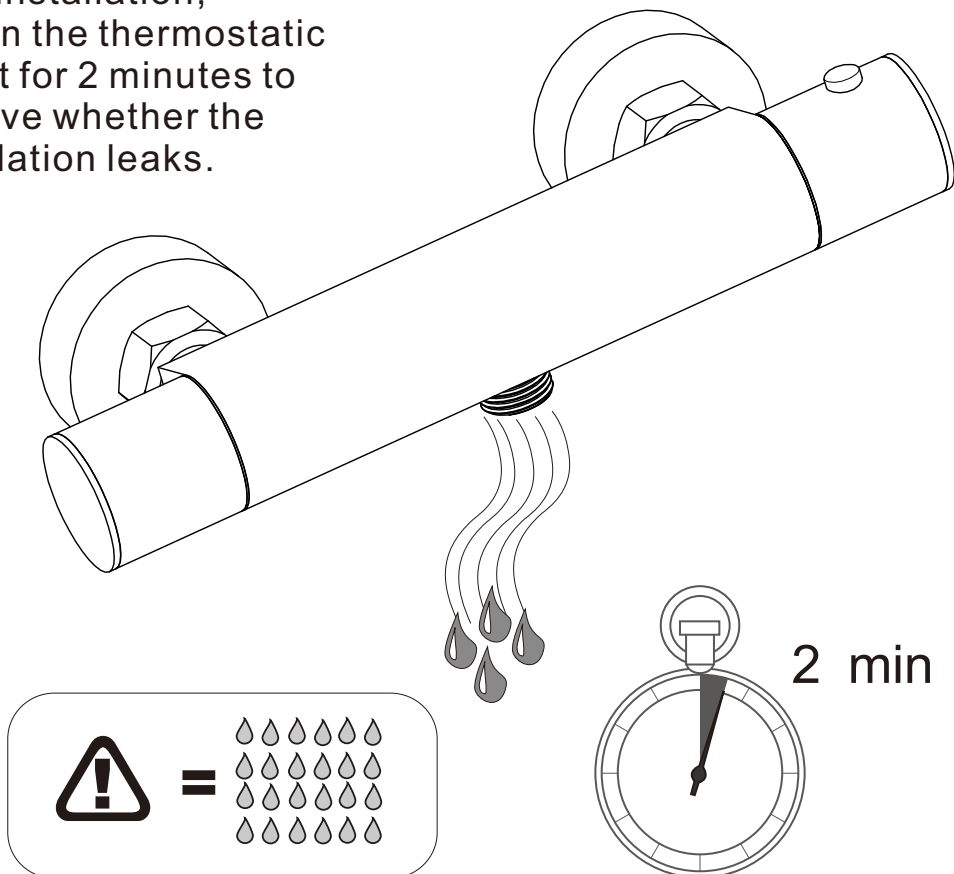
# 6

First put the rubber gasket on the curved foot, and then fix the thermostatic faucet with fixing pliers.

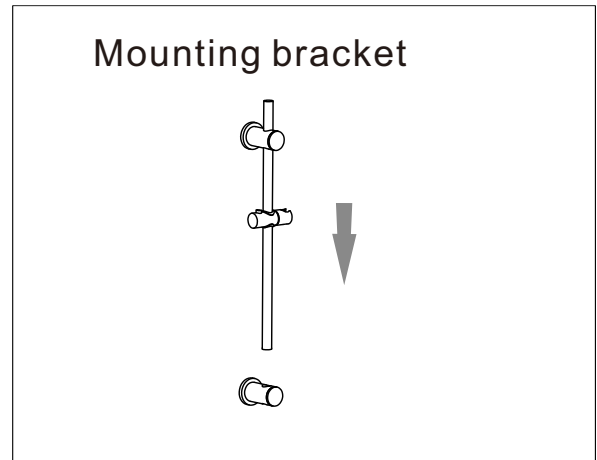
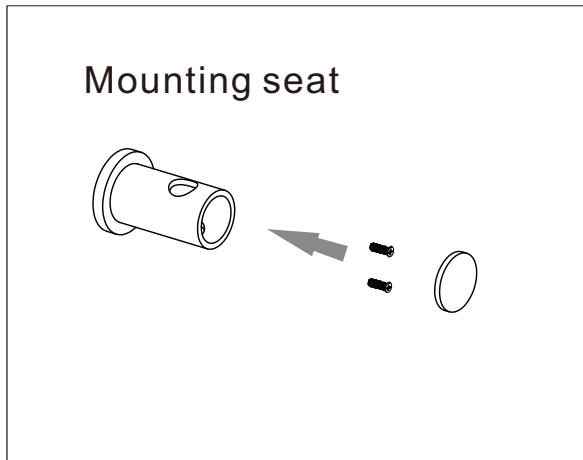
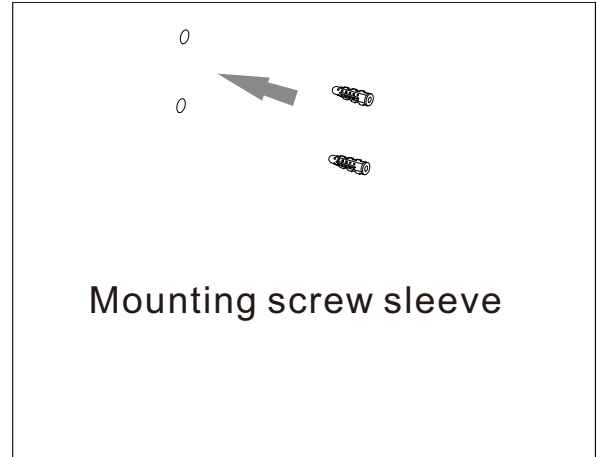
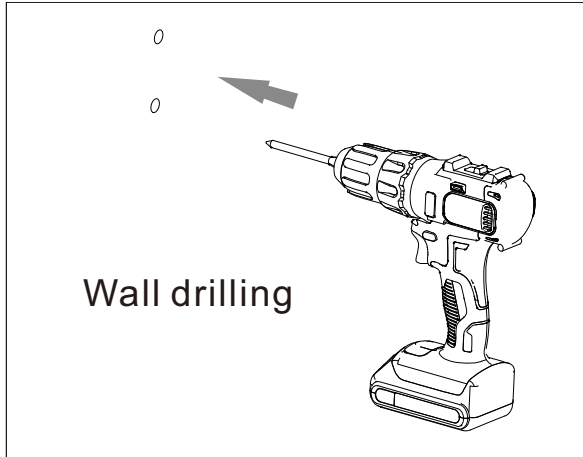


# 7

After installation, turn on the thermostatic faucet for 2 minutes to observe whether the installation leaks.



# 8



# 9

Assemble hoses and hand showers

