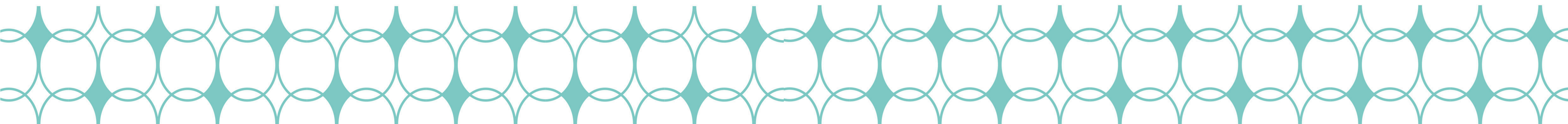


USER MANUAL

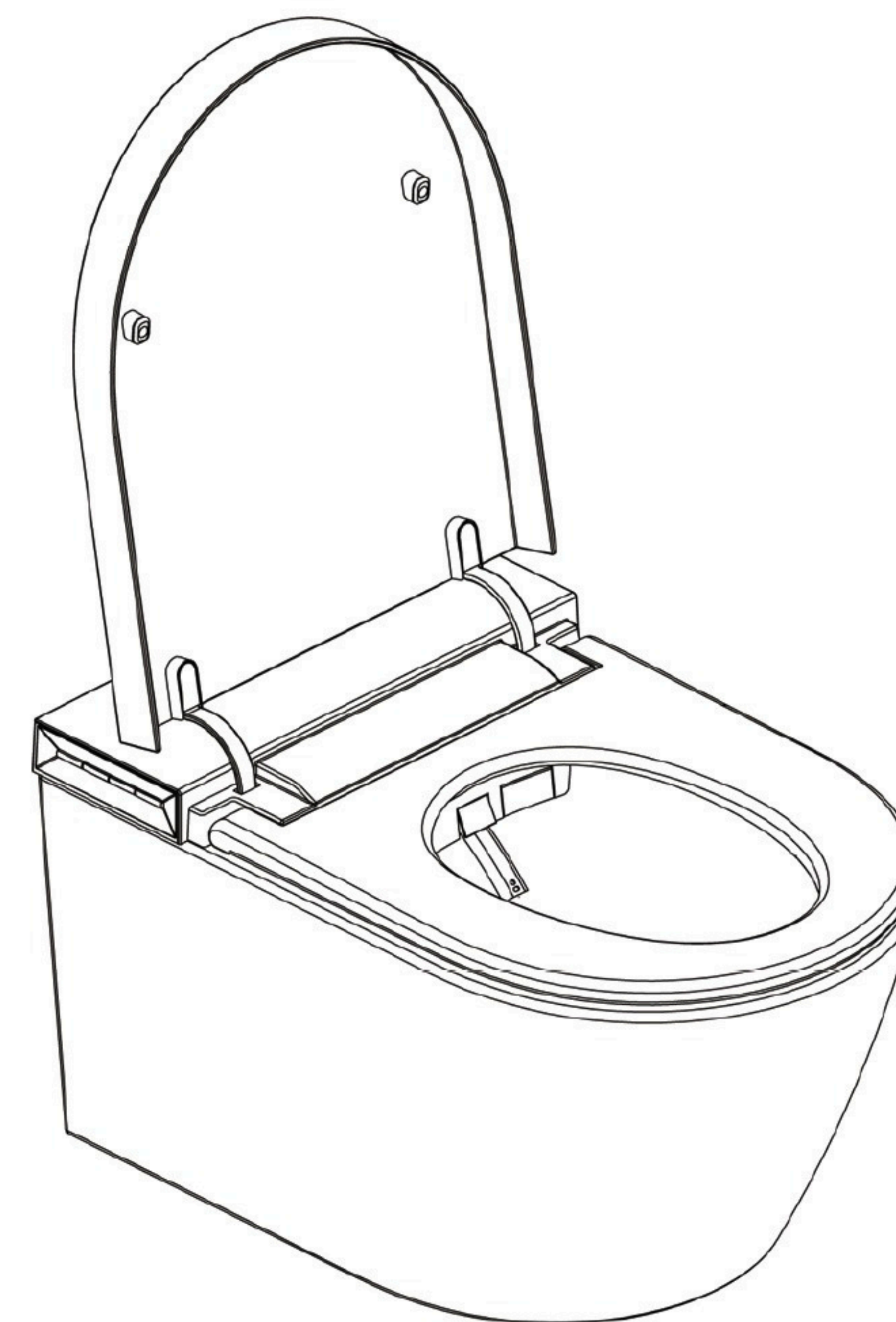
Wall Hung Smart Toilet

FA-979 (Automatic)

LOMAZOO



PRODUCT MANUAL







CONTENTS

▶ Before Installation	01
▶ Installation Tools	03
▶ List Of Items	04
▶ Important Information	05
▶ Product Features	09
▶ Name of Parts	10
▶ Installation	11
▶ Synchronize the Remote Control	17
▶ How to Use the Remote Control	18
▶ How to Use the Side Control Buttons	19
▶ Maintenance	20
▶ Default Set	21
▶ Troubleshooting	22
▶ Specification	24
▶ Warranty	25

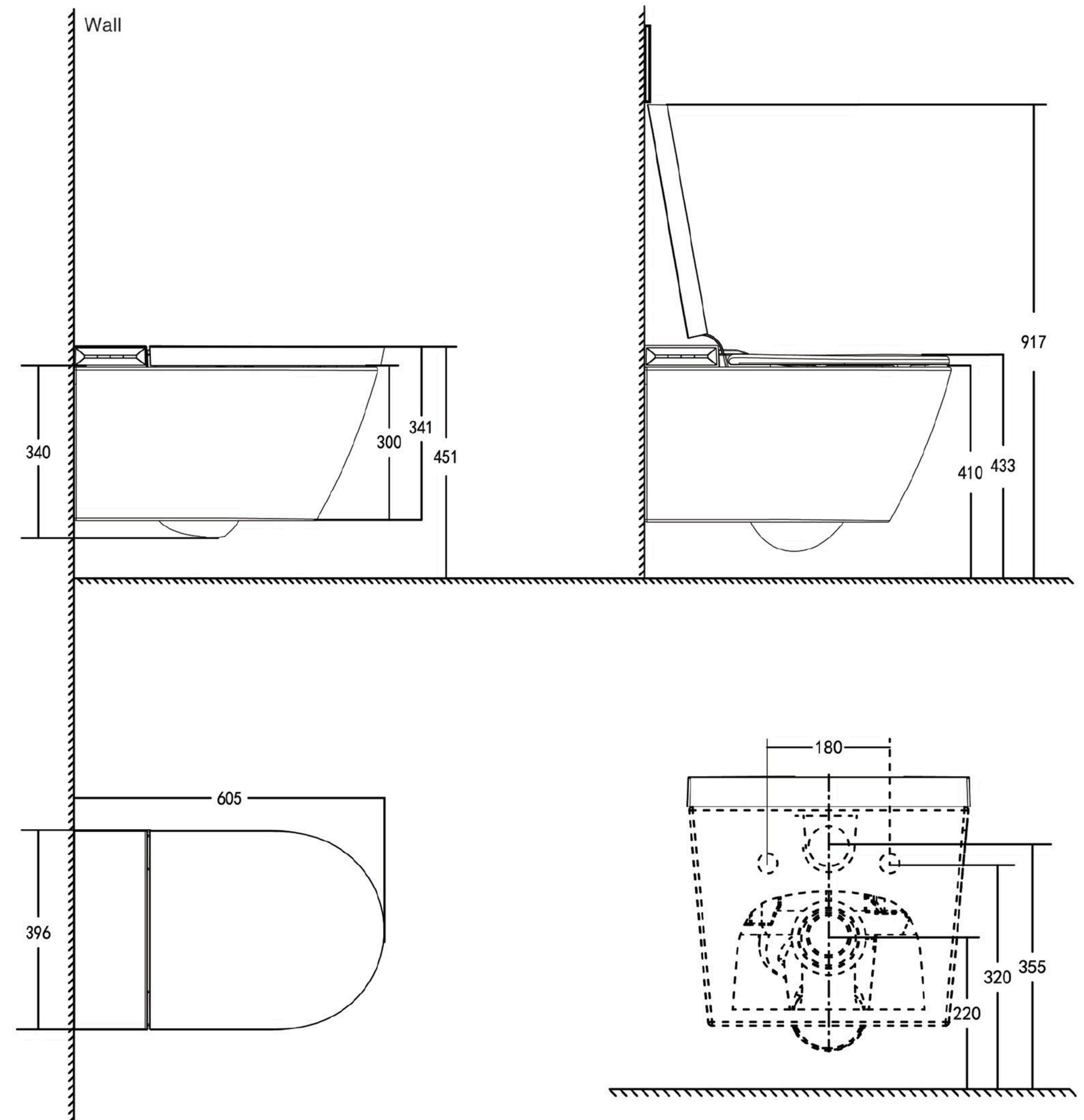
Please carefully read this manual before installing and using the product.
Keep this manual for future reference.

Before Installation

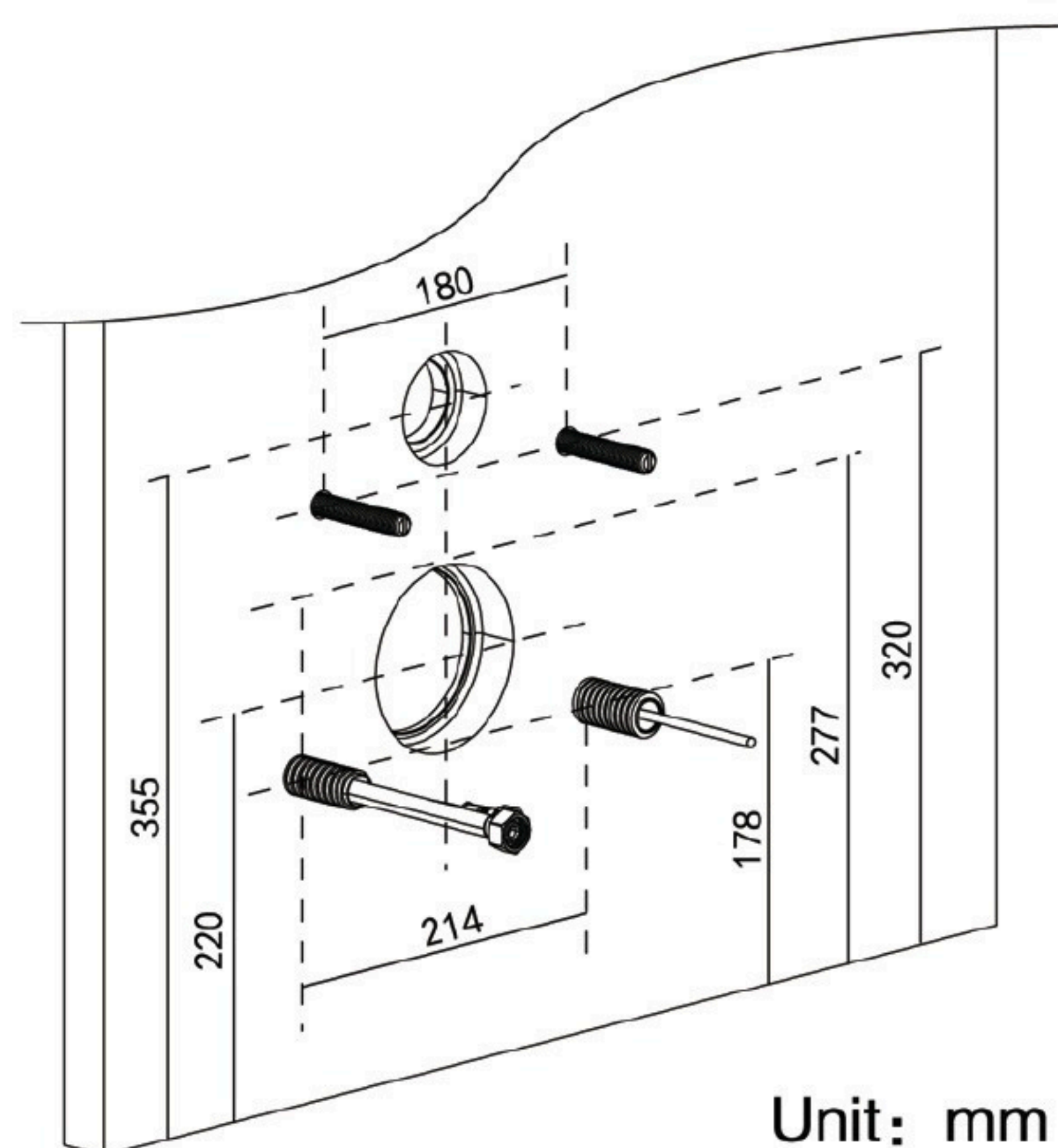
For the sake of safety, these instructions must be followed.

 WARNING	Risk of personal injury.
 NOTE	Risk of personal injury or property damage.
 WARNING	<ul style="list-style-type: none"> ● Connect only to a 220V ± 10%, 10 A minimum power outlet. Otherwise, it may be overheated or start a fire. ● The power outlet must be grounded. Do not plug into the power outlet until the installation is complete to avoid malfunction. ● DANGER: Risk of electric shock. Disconnect power before operating. ● CAUTION: Turn off the water supply valve before installation to avoid property damage caused by waterleakage.
 NOTE	<ul style="list-style-type: none"> ● Follow all local plumbing and electrical codes. Power supply and water pipes should use wall mount installation method. ● The power cord is 1.2~1.5 meters in length. Install the power outlet within the reach of the power cord, above the floor where it is not easily wet. ● Carefully inspect the intelligent toilet for damage. ● In winter, the remaining water in the toilet could be frozen after long distance transport or long term storage. To avoid damage caused by frozen water, the toilet should be placed in a warm room for 30 minutes. Thaw the toilet before installation and the supply of water and electricity.

Fitting Dimension Chart

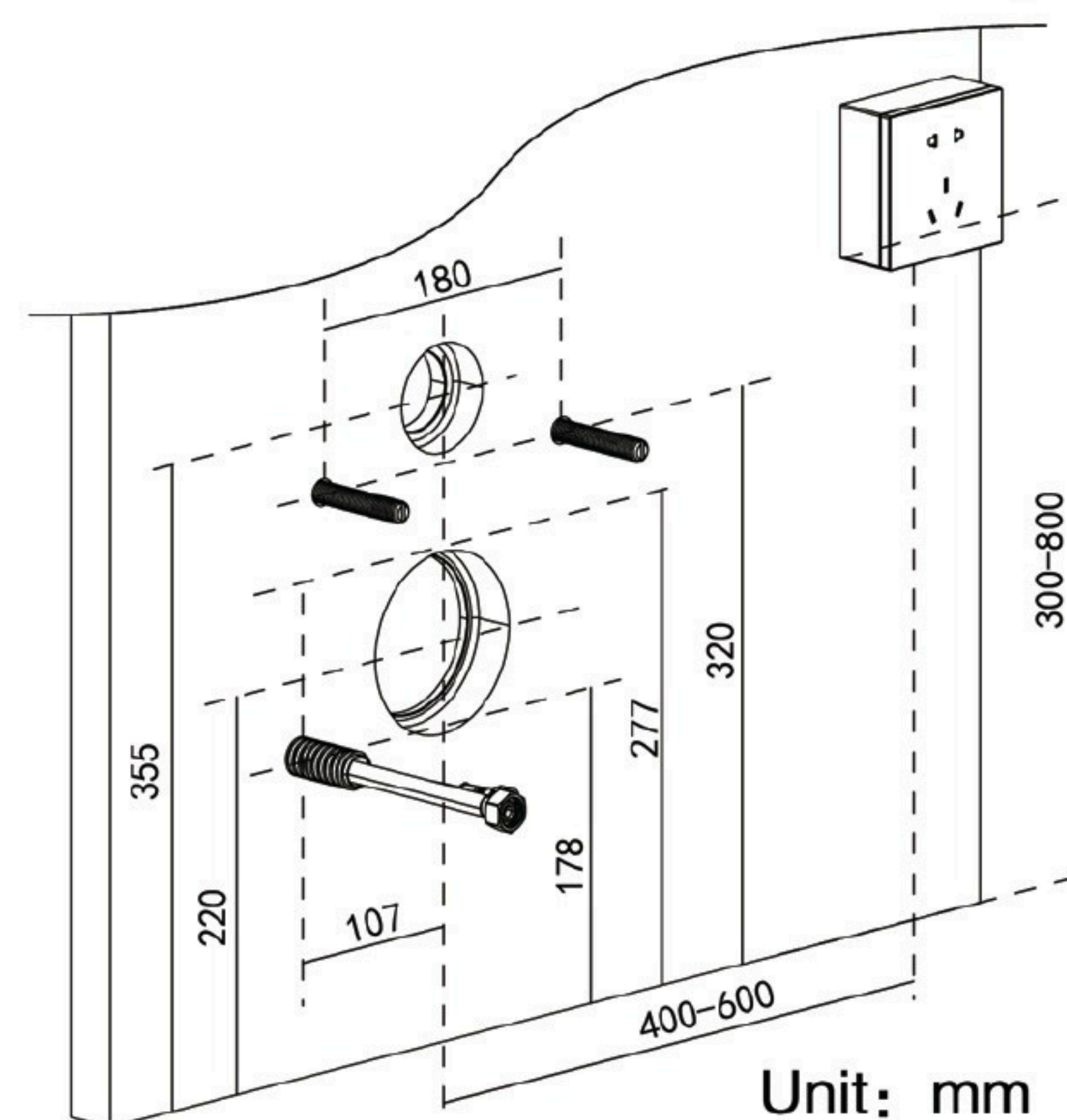


Fitting Dimension Chart
(Built-in Power Wire)



Unit: mm

Fitting Dimension Chart
(External Power Wire)



Unit: mm

Unit: mm

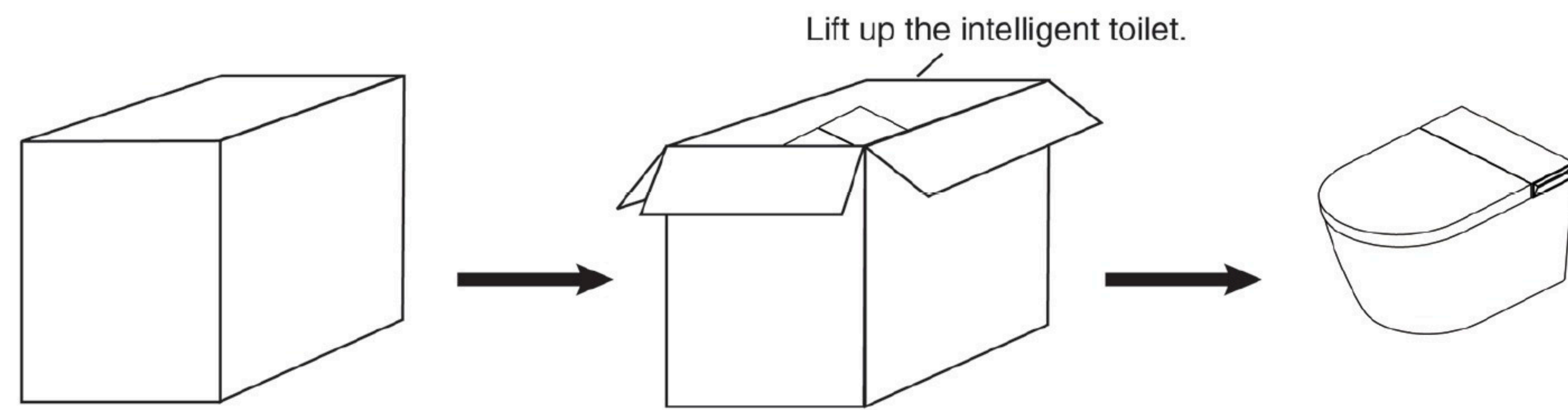
※The company reserves the right to change the size of the label at any time without notice

※The company reserves the right to change the size of the label at any time without notice

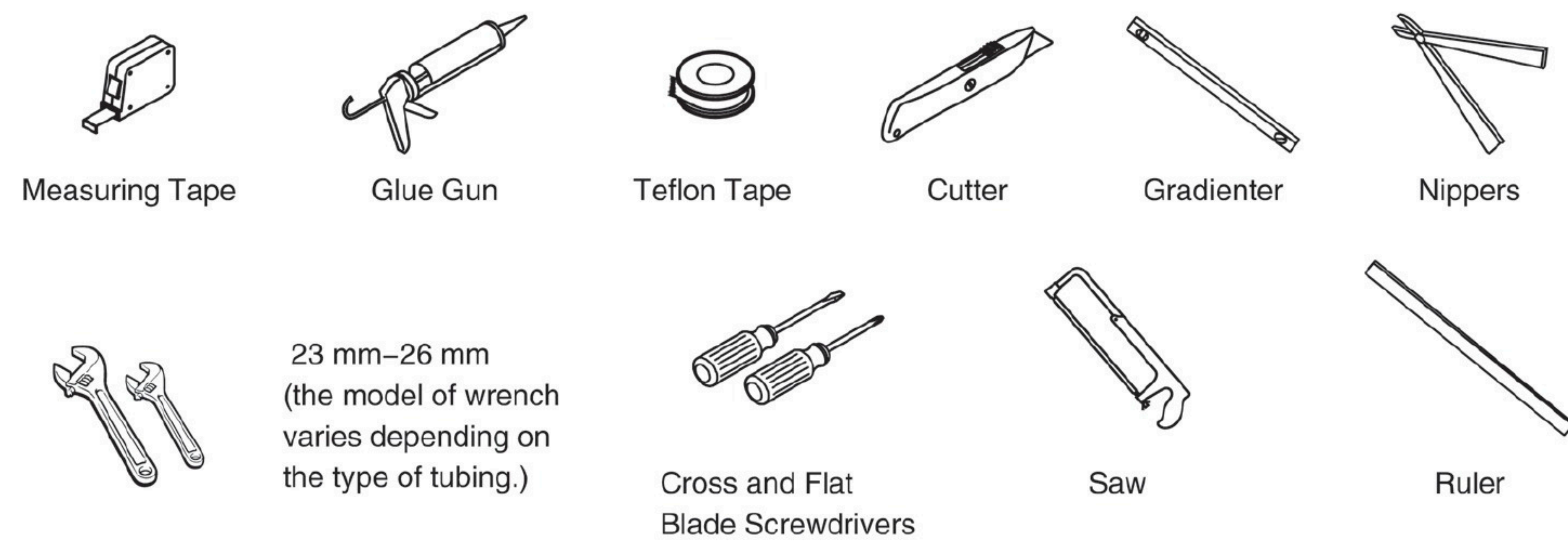
Installation Tools

Unpacking

Take out the toilet according to the picture below.



Installation Tools



List Of Items

List of items (Production accessories)

<p>Intelligent Toilet (one)</p>	<p>Remote Control (including one bracket)</p>	<p>AAA Batteries (two)</p>
<p>Power Cord Adapter (one)</p>	<p>Cushion Foam (one)</p>	<p>User' s Manual</p>
<p>Panel</p>		

List of items (Rack accessories)

<p>Drainpipe + Seal Sleeve</p>	<p>Inlet + Seal Sleeve</p>	<p>Eccentric Shim</p>
<p>Shim</p>	<p>Nut</p>	<p>Lubrication Sponge</p>

Important Information








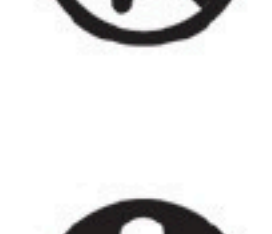


Thank you for choosing our product. For better user's experience, please correctly use the product after carefully studying this manual which should be kept properly.

Consequences of non-compliance with the following safety precautions are serious. Please follow the instructions.

Terms and Marks

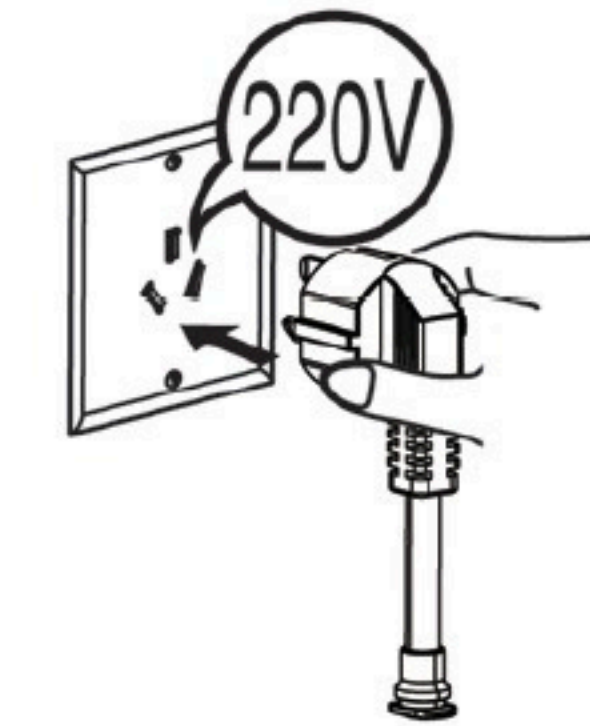
WARNING Risk of personal injury.

NOTE Risk of personal injury or property damage.

-  NOTE! (For the above mentioned WARNING and NOTE. Please strictly conform with the instructions.)
-  You must not do this!
-  Unauthorized disassembly is forbidden.
-  Avoid using the product in a wet and easily soaked bathroom!
-  Do not touch the place indicated!
-  Do not touch the place with a wet hand indicated!
-  Keep away from fire!
-  Follow the instructions!
-  Unplug the power!
-  Confirm whether the receptacle is properly grounded.
(If the receptacle is not grounded, the product may not work well and there could be electricity leakage and risk of electric shock.)

⚠ WARNING

Connect only to a 220V ± 10%, 10A minimum receptacle.



• Or there may be risk of fire and electric shock.

All except after-sales or designated professional maintenance personnel are forbidden to disassemble, repair or modify the product.
• It may cause electric shock, start a fire or cause personal injury due to abnormal operation.



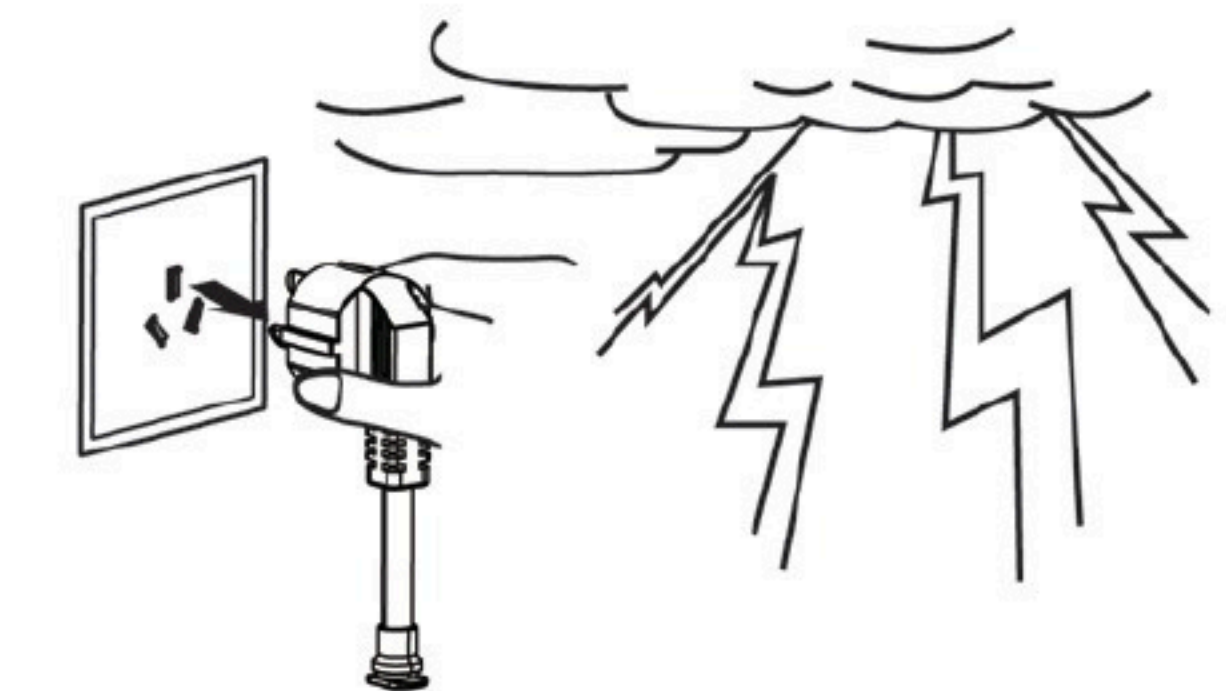
Do not wet the intelligent toilet and the power plug with water or detergent.
• Otherwise, there may be risk of electric shock or risk of fire.



Please unplug the power, turn off the water supply and drain the water inside the product if not in use for a long time.



Do not use the product in lightning weather (Please unplug the power when lightning is striking nearby).
• Otherwise, there may be accidents or malfunctions.



Please confirm whether the receptacle is properly grounded.
• Circuit failure or short circuit may cause electric shock.



Please avoid using the product in a wet and easily soaked bathroom! Do not spray water onto the product or cleaning it with water in case of internal water seepage which may cause damage.
• It may cause electric shock or start a fire in this case.



Please regularly use a piece of dry cloth to wipe the dust on the power plug. Please unplug the power when cleaning.
• Poor insulation may cause a fire.



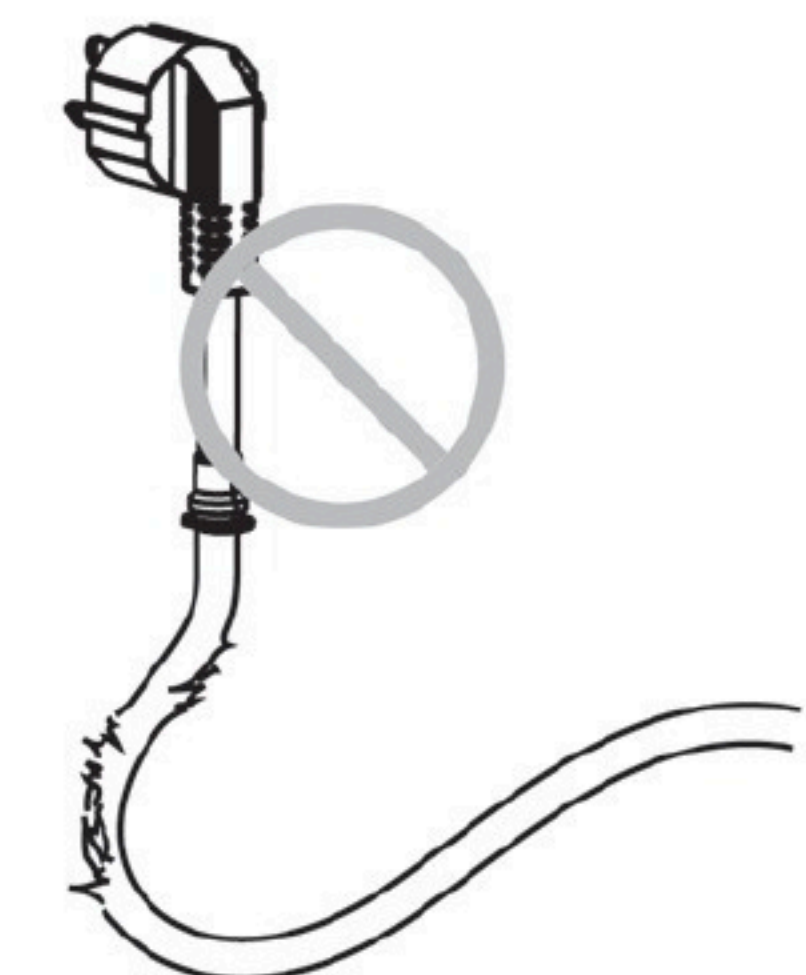
Do not use a wet hand to touch or plug or unplug the power!
• Otherwise, there may be risk of electric shock.



Please do not use middle to high level of the seat temperature, warm air temperature for a long time.
• Otherwise, there may be risk of burn.



Do not use a poor power outlet and a damaged power plug. Please correctly use and protect the power cord so as to avoid risk of electric shock or fire caused by bad connection or damage.
• If the power cord is damaged, to avoid danger, the power cord must be replaced by the qualified technicians. Otherwise, it may cause electric shock or start a fire.



Except water from household water pipes, do not use industrial water, recycled water or other polluted water.
• Otherwise, there may be risk of cystitis, dermatitis, electric shock, fire caused by internal corrosion of the machine.



Important Information

WARNING

Follow the instructions and correctly use the batteries.

- Install the batteries according to the instructions. ⊕ ⊖
- Take out the batteries if you do not use them for a long time.
- As battery depletion will affect the signal reception, replace the battery in time.
- When disposing of batteries, follow local regulations.
- Keep the batteries out of the reach of infants and young children.
- If someone's body is stained with electrolyte, wash it with water immediately.
- If electrolyte gets into someone's eyes, rinse them immediately with water and go to the hospital at once, instead of rubbing the eyes.



- Do not carry batteries or keep them with metal products (necklaces, watches, etc.).
- Do not mix old and new batteries.
- Do not disassemble the batteries or put them into water or fire.
- Otherwise the liquid flowing out of the battery may cause a fire.



NOTE

When cleaning and maintaining the plastic parts, do not use inappropriate cleaning agents (toilet cleaner, alcohol, cresol, benzene, decontamination powder, bleach, paint thinner, house cleaner, gasoline, etc.).

- Otherwise the crack of the plastic parts may cause personal injury, electric shock or a fire.



Do not break, forcibly bend, twist, stretch, curl, bundle, load or excessively squeeze the power cord.

- Otherwise the damaged power cord may cause electric shock or fire.



Please shelter the product from direct sunlight and put it away from heating equipment. Otherwise, it may cause discoloration of the product.

In winter, the remaining water in the toilet could be frozen after long distance transport or long term storage. In order to prevent damage caused by frozen water, please take antifreeze measures.

- In warm room, leave the product for 30 minutes until it is naturally thawed.
- Set the seat temperature to level 5 and close the lid.
- The cloth soaked in hot water can be covered on the water supply hose of the smart toilet (including the angle valve and the connecting nut) to be thawed.

Do not drop into the toilet newspapers, paper diapers, sanitary pads and other similar items. Do not hit the toilet with great force in case of damages and water leakage.

- If the toilet is blocked, water will not flow smoothly;
- If the toilet is damaged, there will be water leakage or security risks.



Please do not forcibly lean back, stand on the lid, or violently open and close the lid or the seat in case of damages.

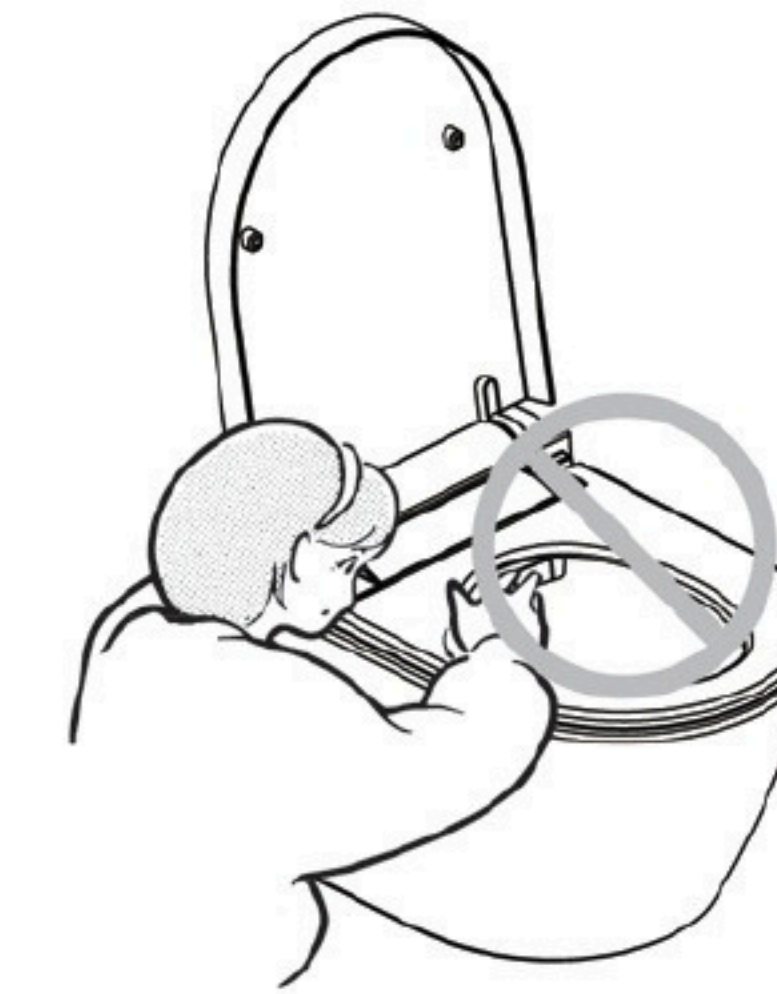


If the lid or the seat is damaged, please unplug the power, turn off the water supply and contact a local dealer to change it for the sake of safety.



NOTE

Do not insert your hand or anything into the warm air outlet. Do not block the warm air outlet or nozzle when using the product.



In order to avoid the risk caused by wrongly resetting the thermal circuit breaker, the product can not be powered by an external switching device, such as a timer or a circuit that is turned on and off by the timing of common parts.



When there is a sudden power failure, please unplug the power supply and turn off the water supply valve to prevent water leakage.



When removing the filter, please ensure to close the water supply valve. When installing the filter, please fully tighten it.

- Otherwise, it may cause water leakage.



- Do not leave urine on the nozzle to prevent blockage.
- Do not urine onto the warm air outlet in case of electric leakage caused by corrosion.



Do not leave lit cigarettes or other dangerous sources near this product.

- Otherwise, it may cause a fire.



To connect the water source with a detachable hose assembly, please use a new hose assembly attached to this product and the old hose assembly can not be reused. If you have other parts to connect with the water source, please replace them.

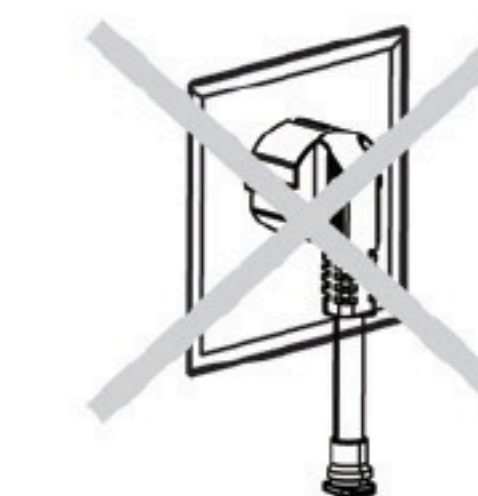
- Otherwise, it may cause property damages due to water leakage.



NOTE

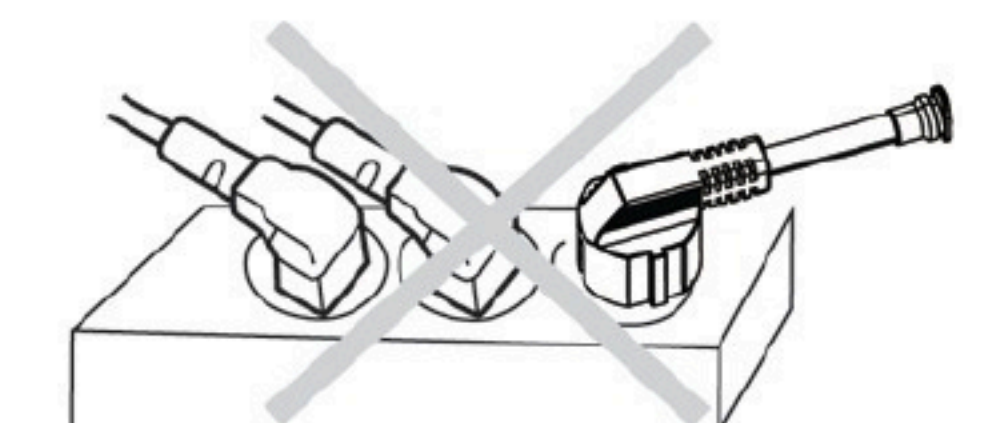
Do not power on the product until the product is installed, the water pipe connected and the water valve opened.

- Do not use this product below 0 °C (32 °F).
- Any violation may cause a fire or malfunction.



Do not use multiple plugs on the same power outlet.

- Please make sure the plug is properly fitted.
- As it may overheat the receptacle or cause a fire.



This product use a 220V power supply.

Patients with cardiac pacemakers can not use this product.

- As there may be electromagnetic interference, resulting in damage to the pacemaker function and cause life danger.



Please do not continue using malfunctioned product.

- Otherwise, it may cause a fire or electric shock. Contact us or maintenance personnel in time for services.

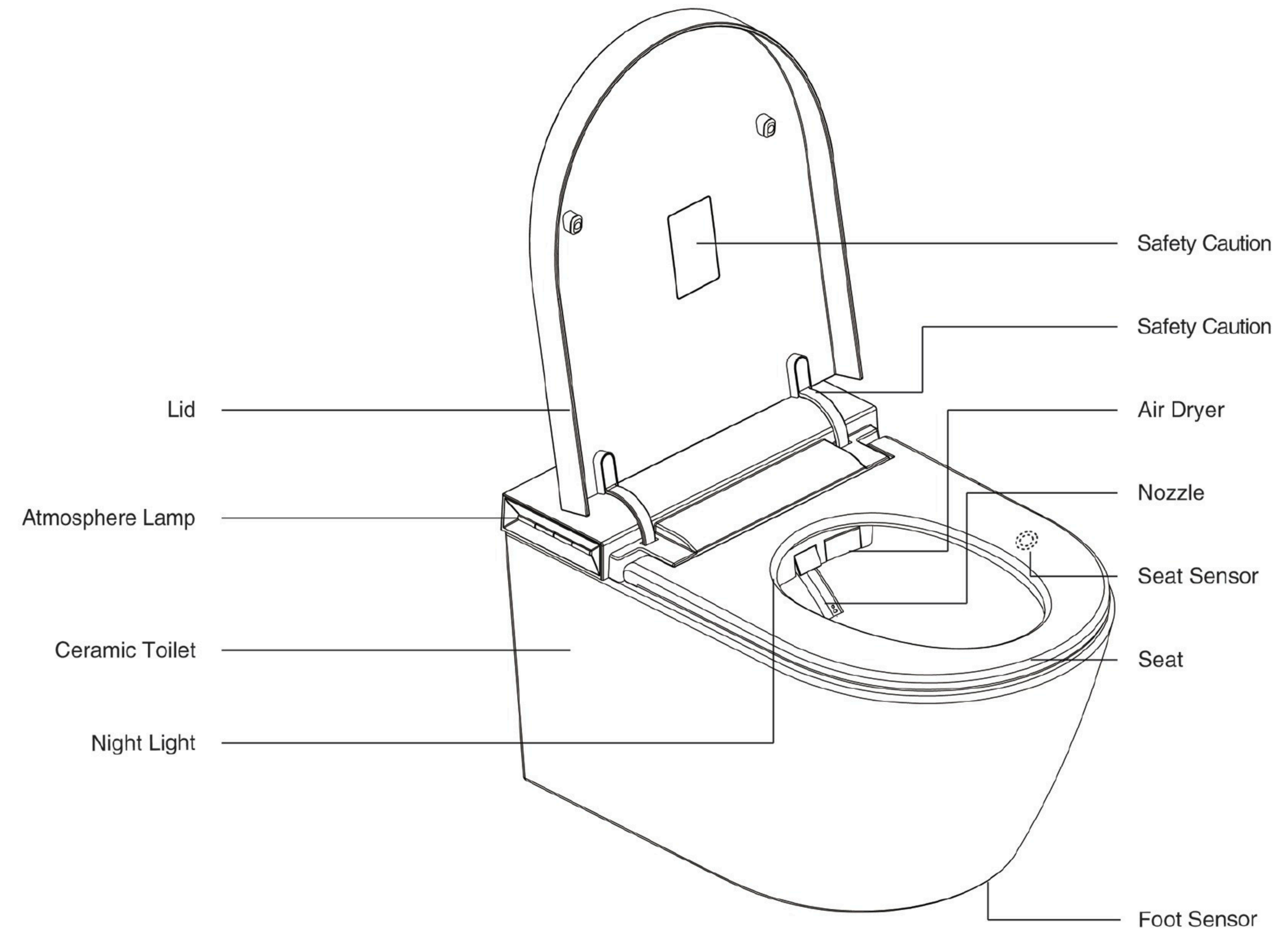


Product Features

● with - without ○ optional

	Features	D series	E series	F series
Hygiene	Tankless Instant Water Heating	●	●	●
	Rear Wash	●	●	●
	Feminine Wash	●	●	●
	Child Mode	●	●	●
	Personalized Mode	●	●	●
	Automatic Wash	●	●	●
	Oscillation Wash	●	●	●
	Cold/Hot Water Pulse	●	●	●
	Pulse Wash	●	●	●
	Water Pressure Control	●	●	●
	Water Temperature Control	●	●	●
	Nozzle Position Control	●	●	●
	Nozzle Self Cleaning	●	●	●
Comfort	Heated Seat	●	●	●
	Warm Air Dryer	●	●	●
	Soft Close Seat/Lid	●	●	●
	Seat Temperature Control	●	●	●
	Bubble Infusion	-	-	●
	Automatic Lid Open/Close	-	●	●
	Foot Touch Open Lid	-	●	●
	Air Dryer Temperature Control	●	●	●
Convenience	Remote Control	●	●	●
	Digital Display	○	○	○
	Night Light	●	●	●
	Knob Light	●	●	●
	Backup Battery	●	●	●
	Automatic Flush	●	●	●
	Foot Touch Flush	●	-	-
	Seat Sensor	●	●	●
	Side Control Knob	-	-	-
	Side Control Button	●	●	●
Safety	Water Filter	●	●	●
	Water Backflow Prevented	●	●	●
	Power Save	●	●	●
	Multiple Safety Designs	●	●	●

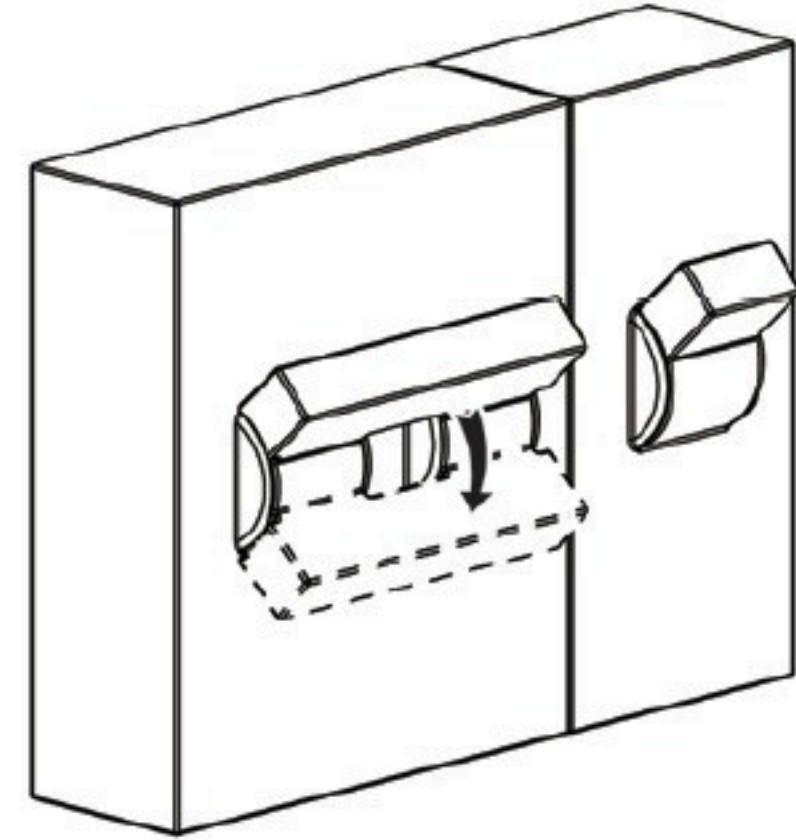
Name of Parts



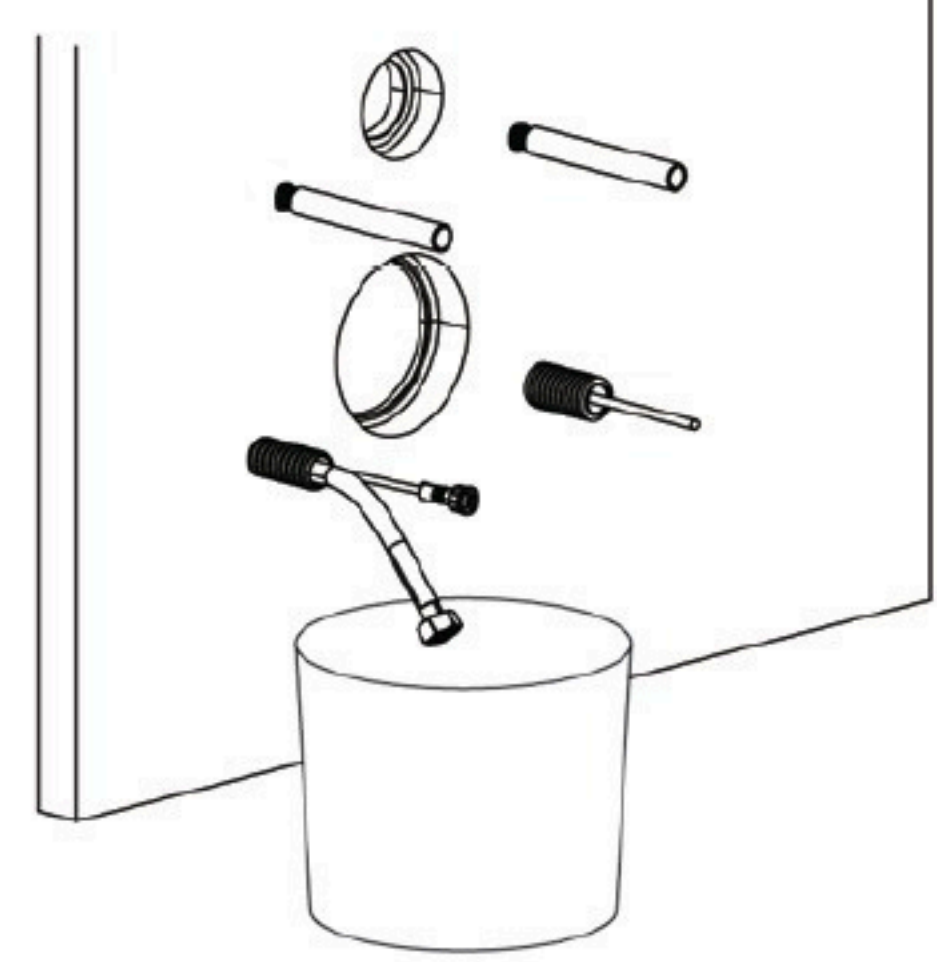
Installation

1. Instal built-in power wire of toilet

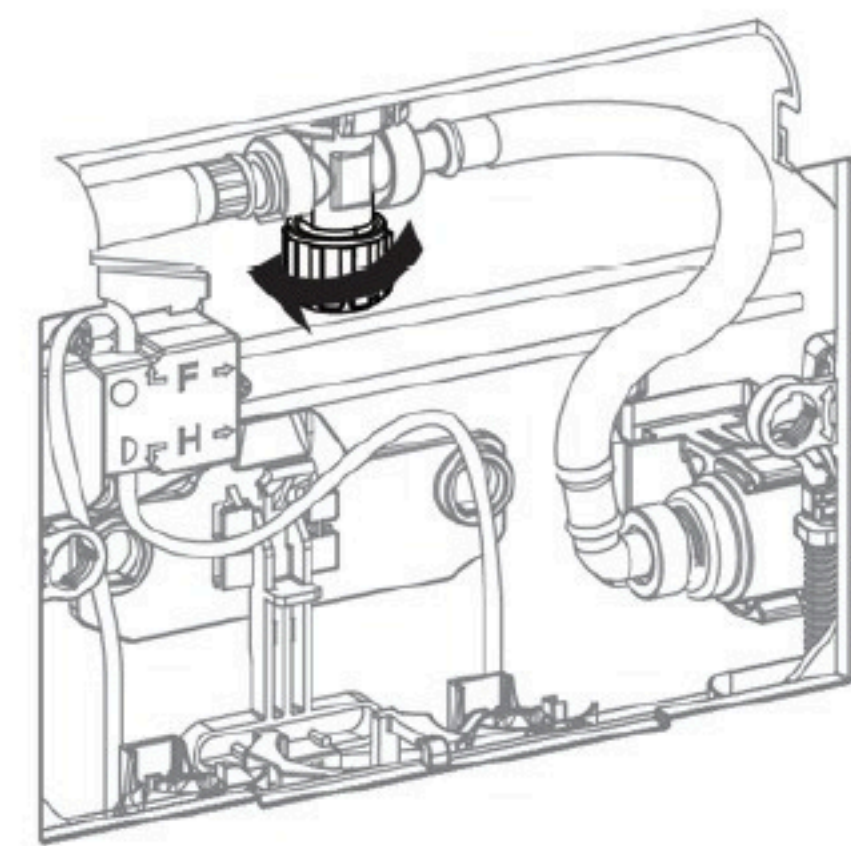
1. Close the switch.



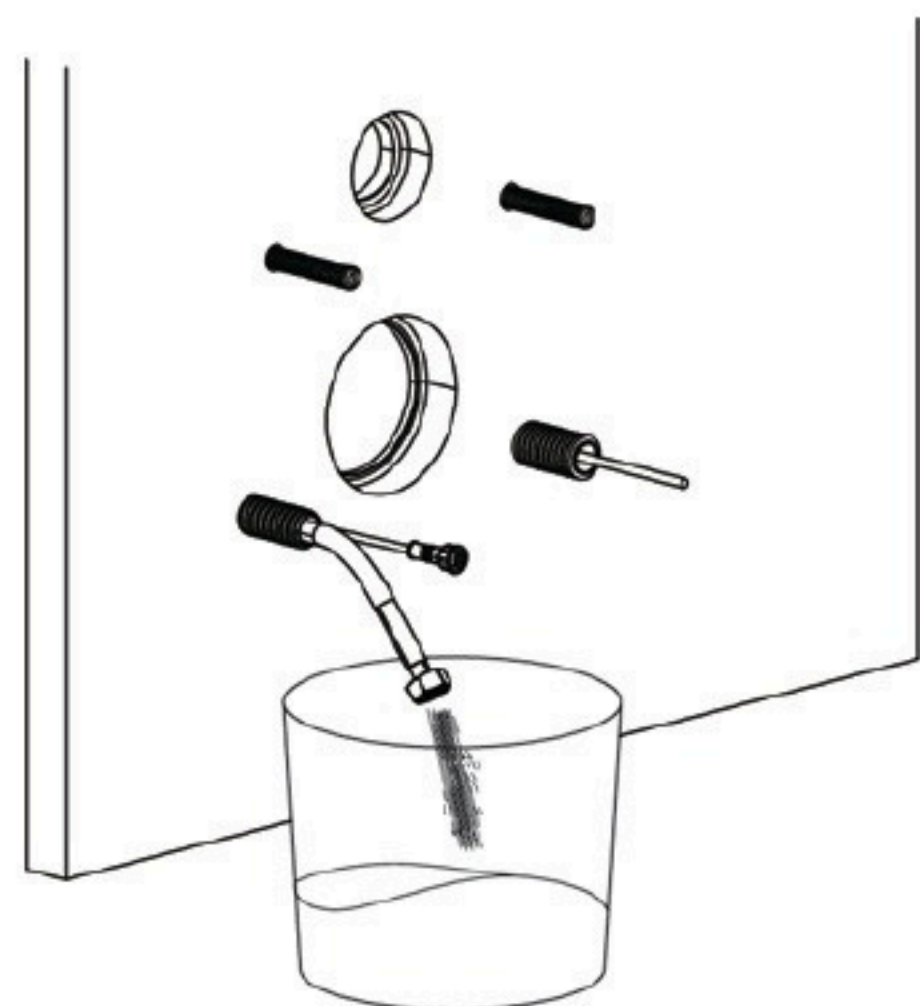
2. Put a bucket under the braided tube and pull out the sheaths.



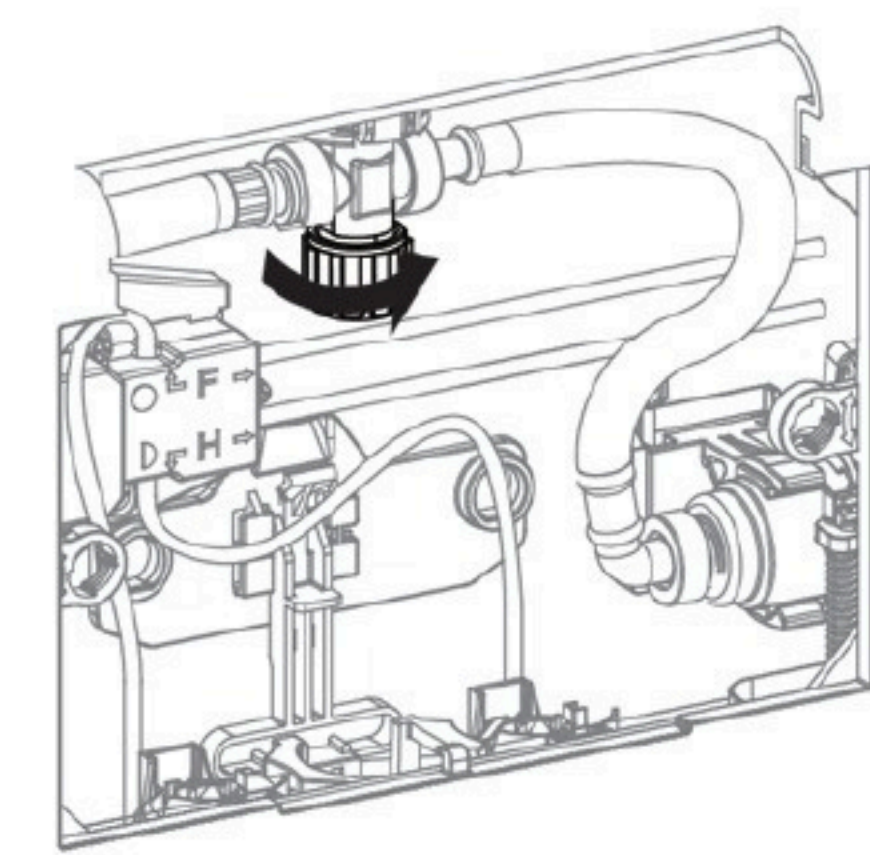
3. Unscrew the angle valve to drain the dirty water.



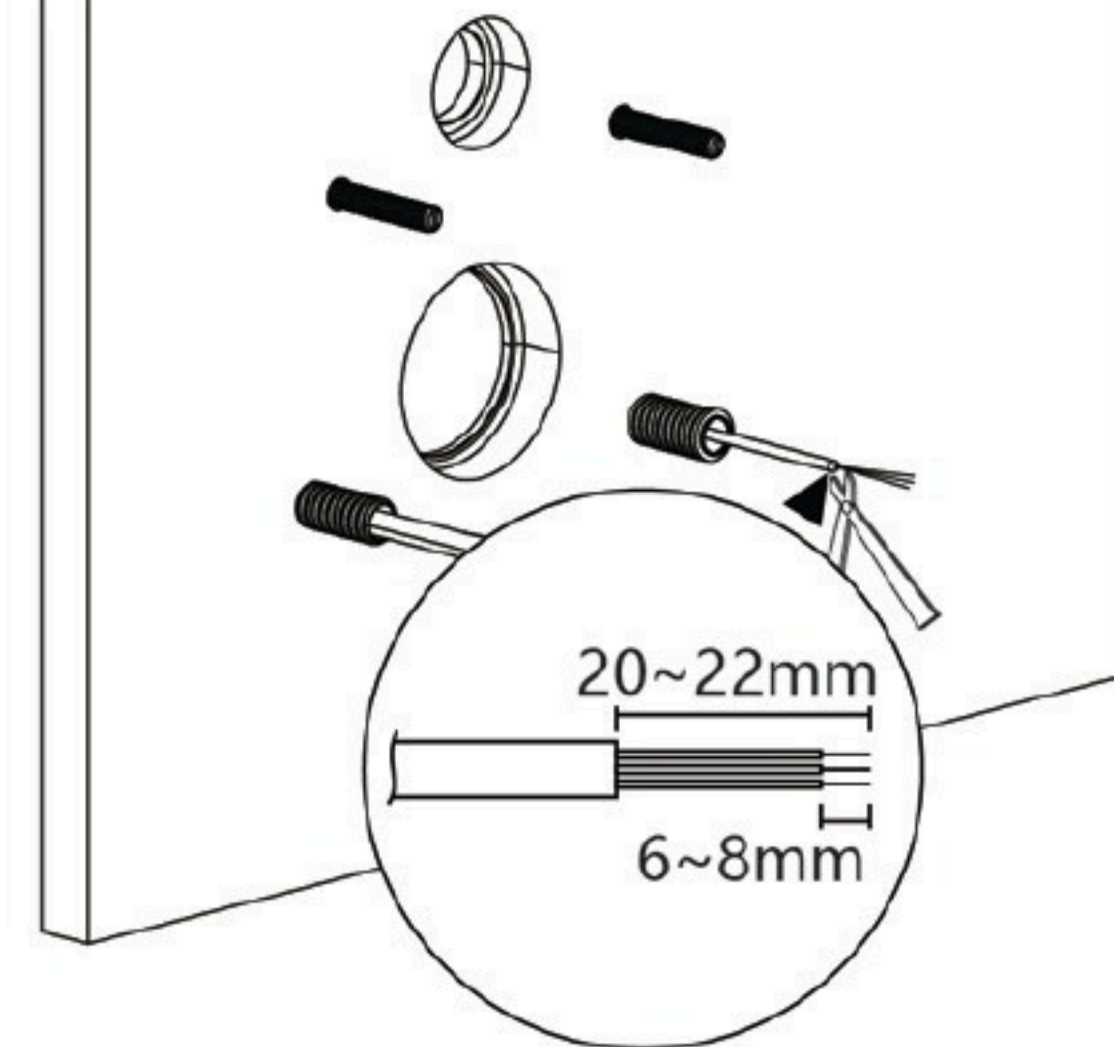
4. Wait 10s.



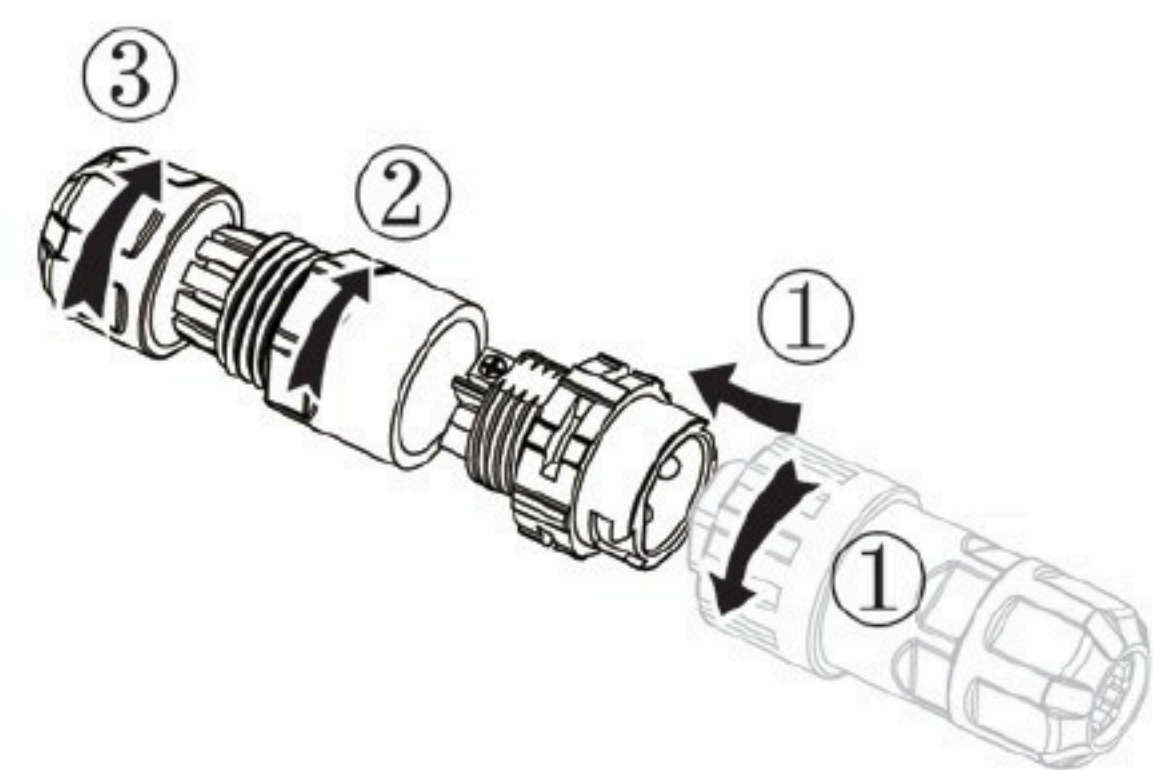
5. Screw the angle valve.



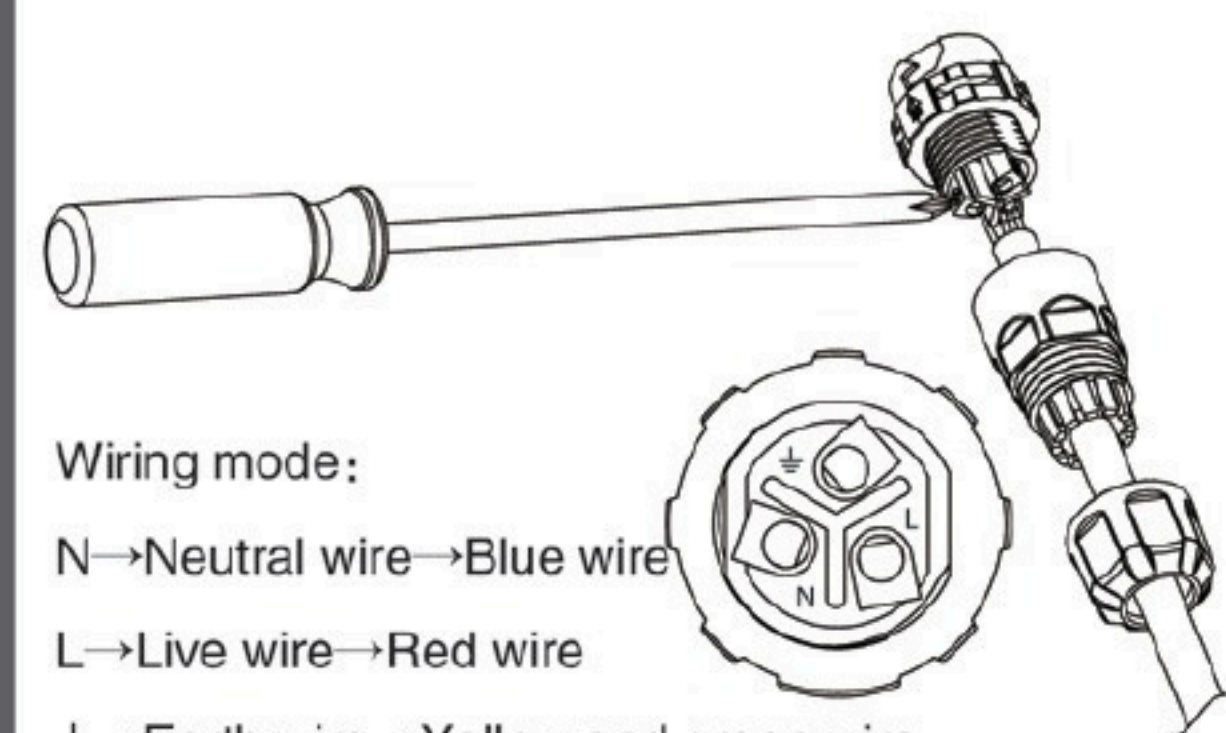
6. Wire strip as dimensions.



7. Disassemble the power cord adapter as shown in the figure



8. Power cord adapter connect wire.



Wiring mode:

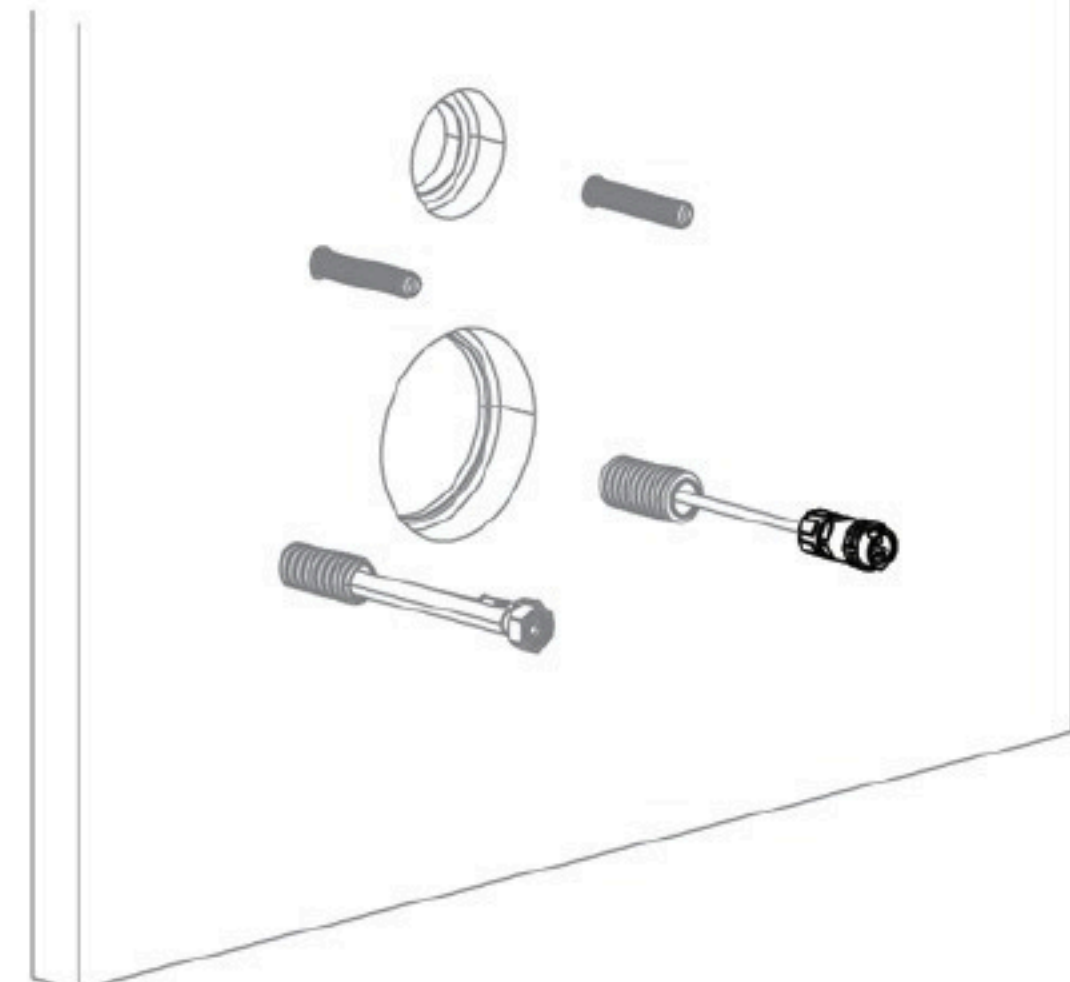
N→Neutral wire→Blue wire

L→Live wire→Red wire

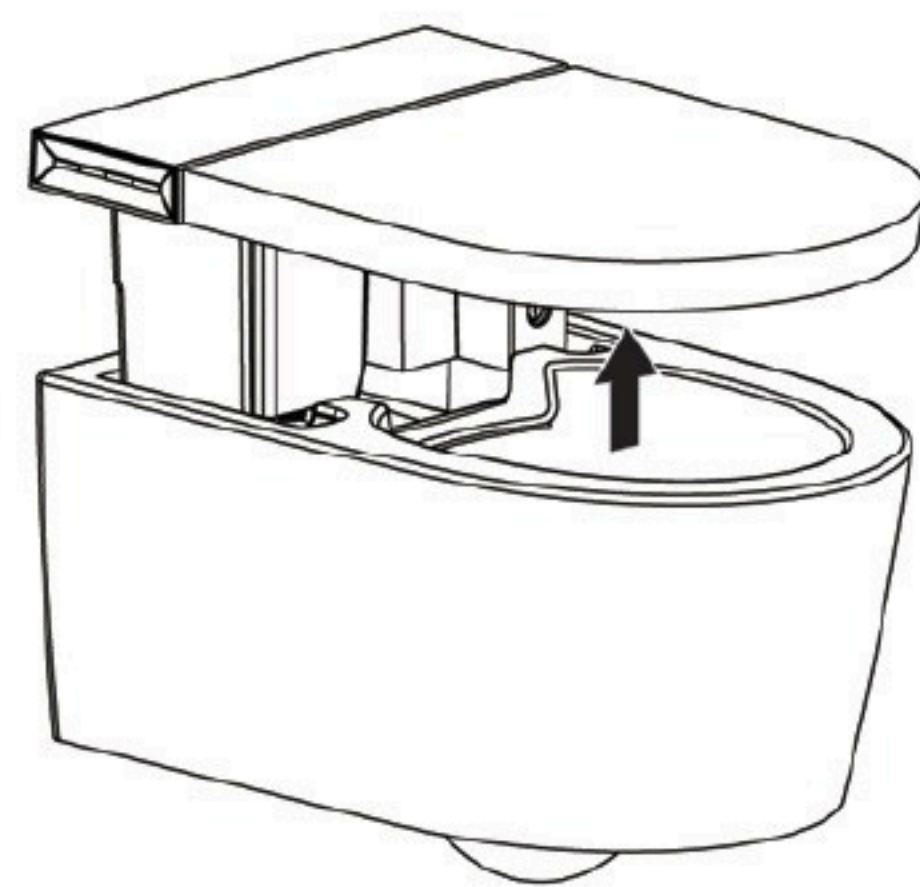
⊕→Earth wire→Yellow and green wire

*This line is only for common color wires. If the color of wire is different, please overlap as the actual line.

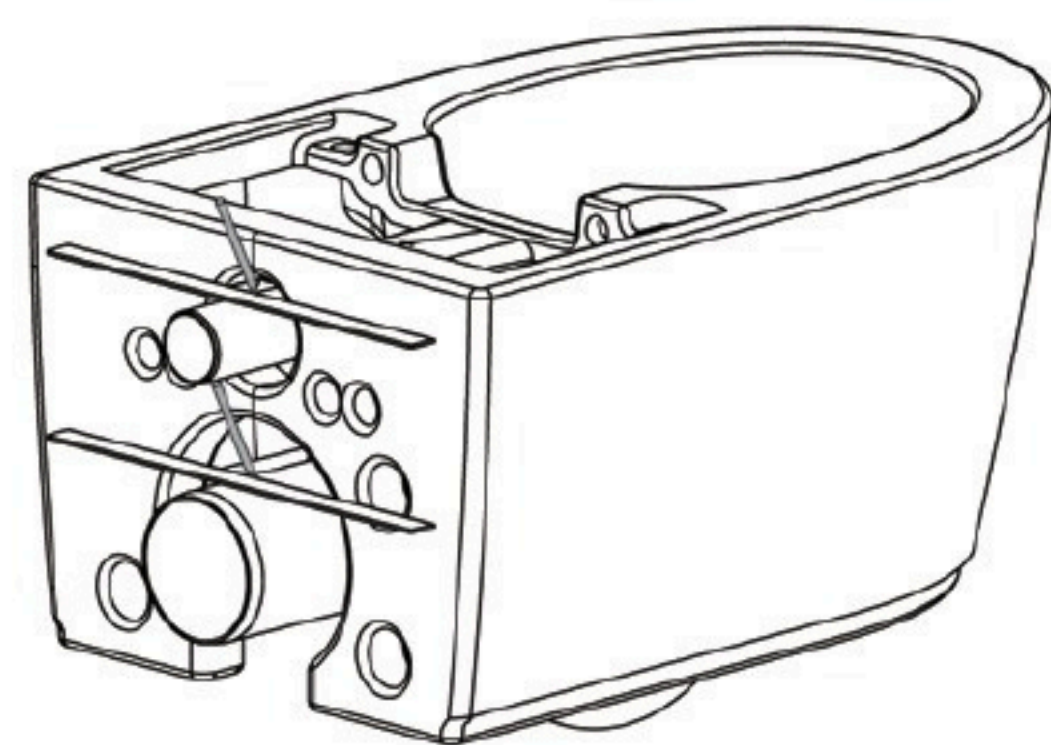
9. Power wire is connected.



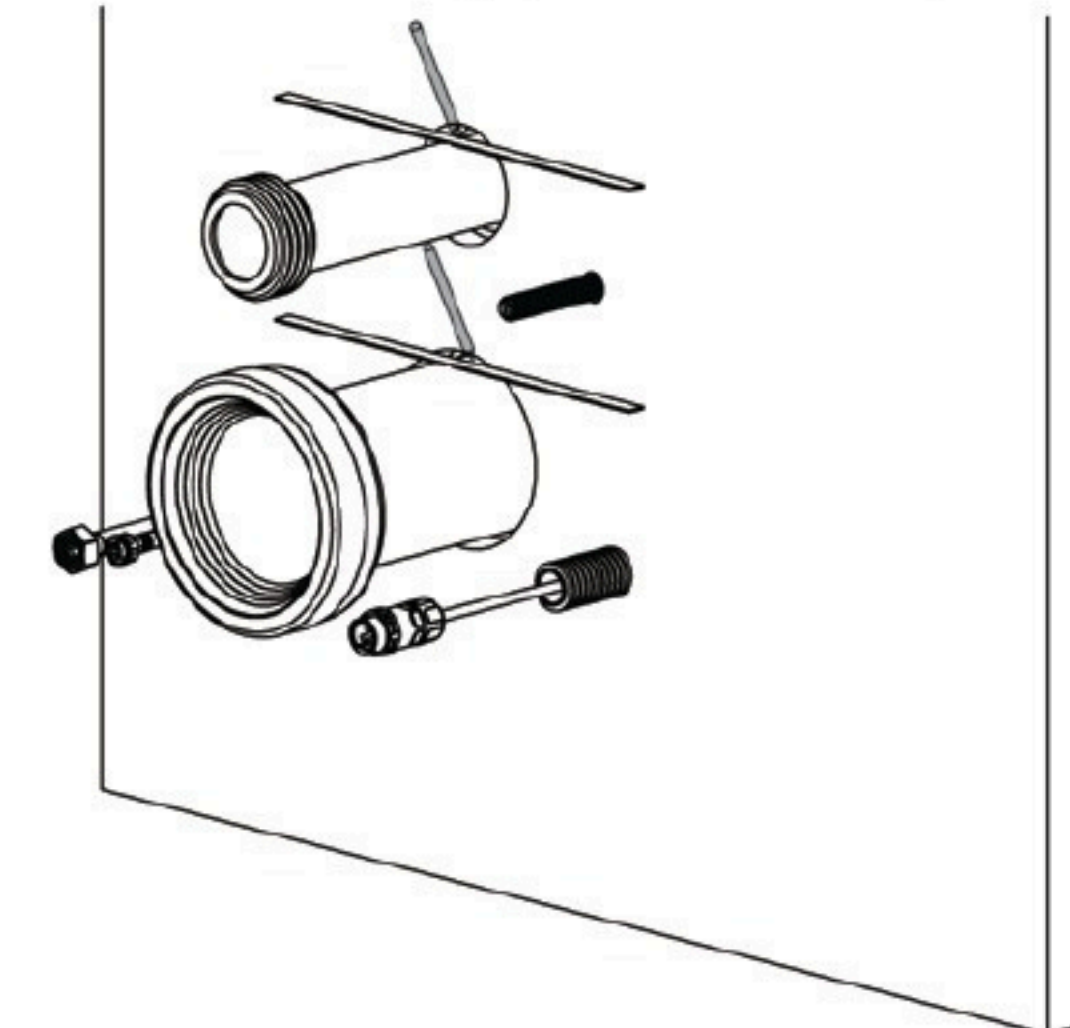
10. Take out the cover



11. Mark drainpipe and inlet (Product)

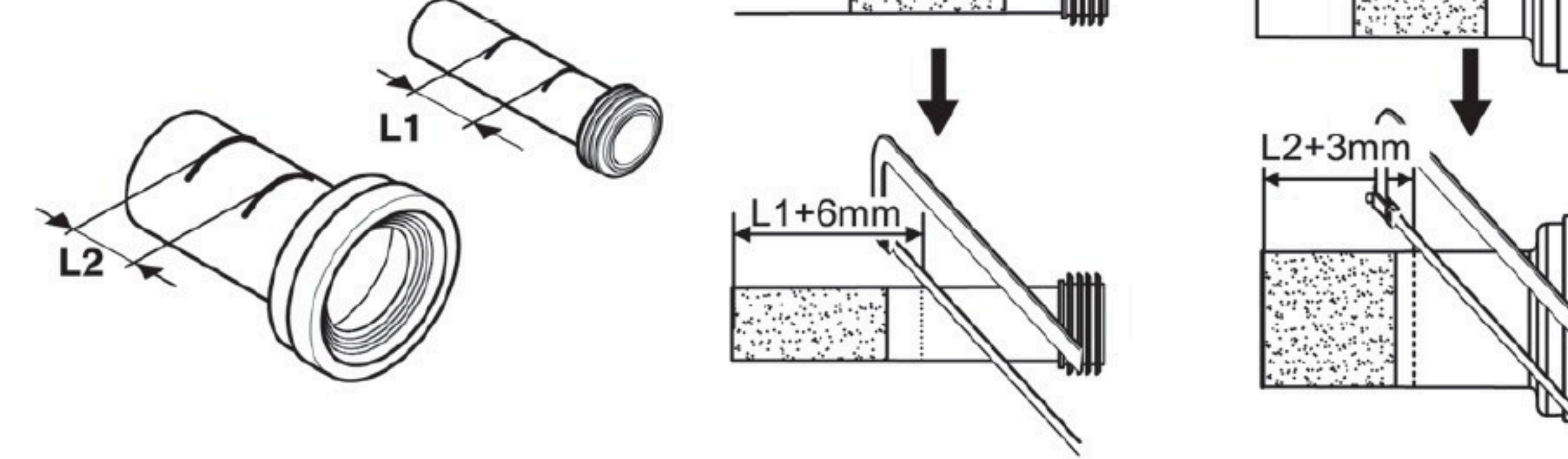


12. Mark drainpipe and inlet (Wall)

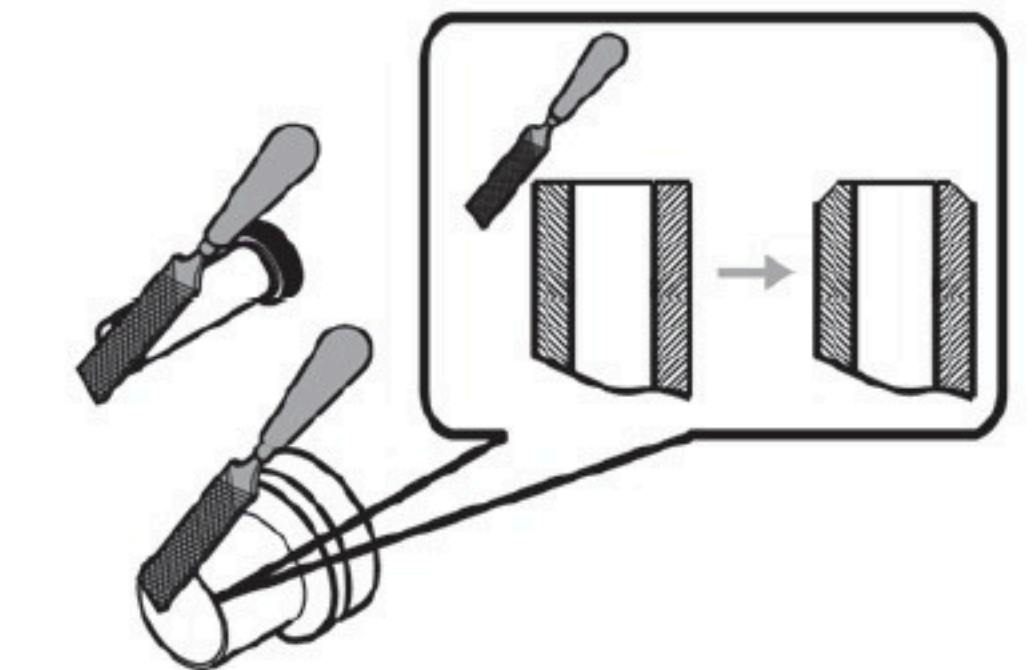


Installation

13. Cut drainpipe and inlet.
Between two lines of drainpipe--L1.
Between two lines of inlet--L2.
Cut pipe as shown.

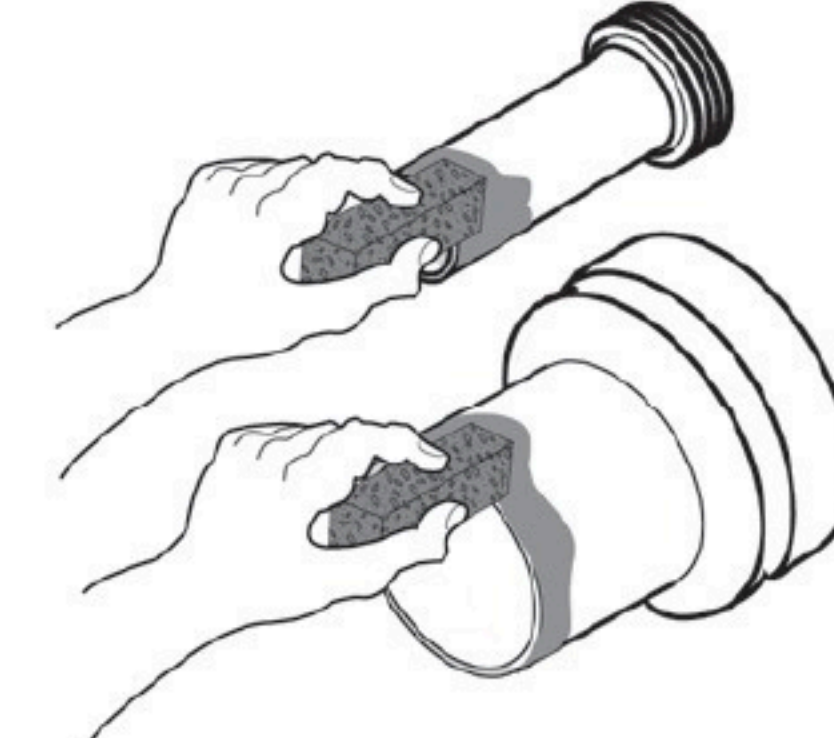


14. Polish drainpipe and inlet.



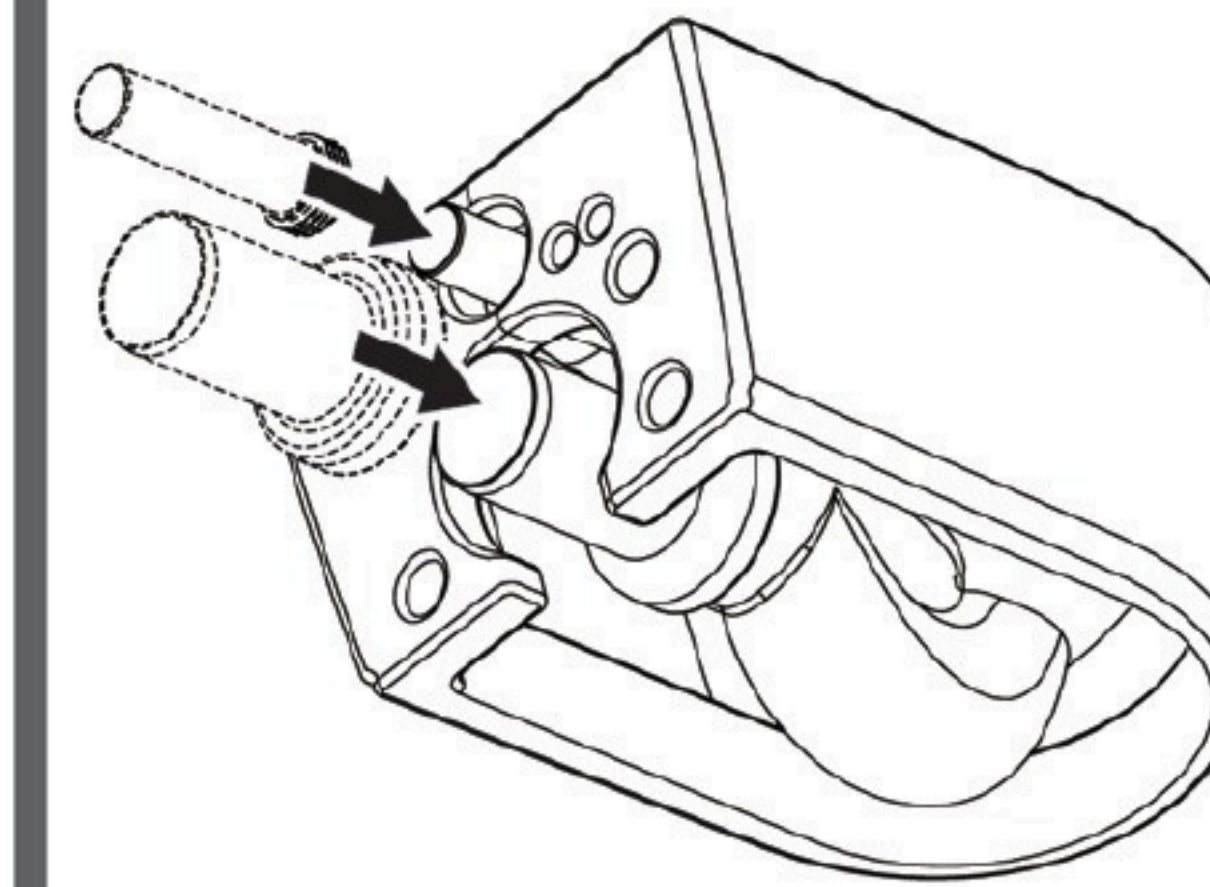
Polish the orifices to the chamfer (as shown in the figure), and remove the burrs

15. Oil drainpipe and inlet.

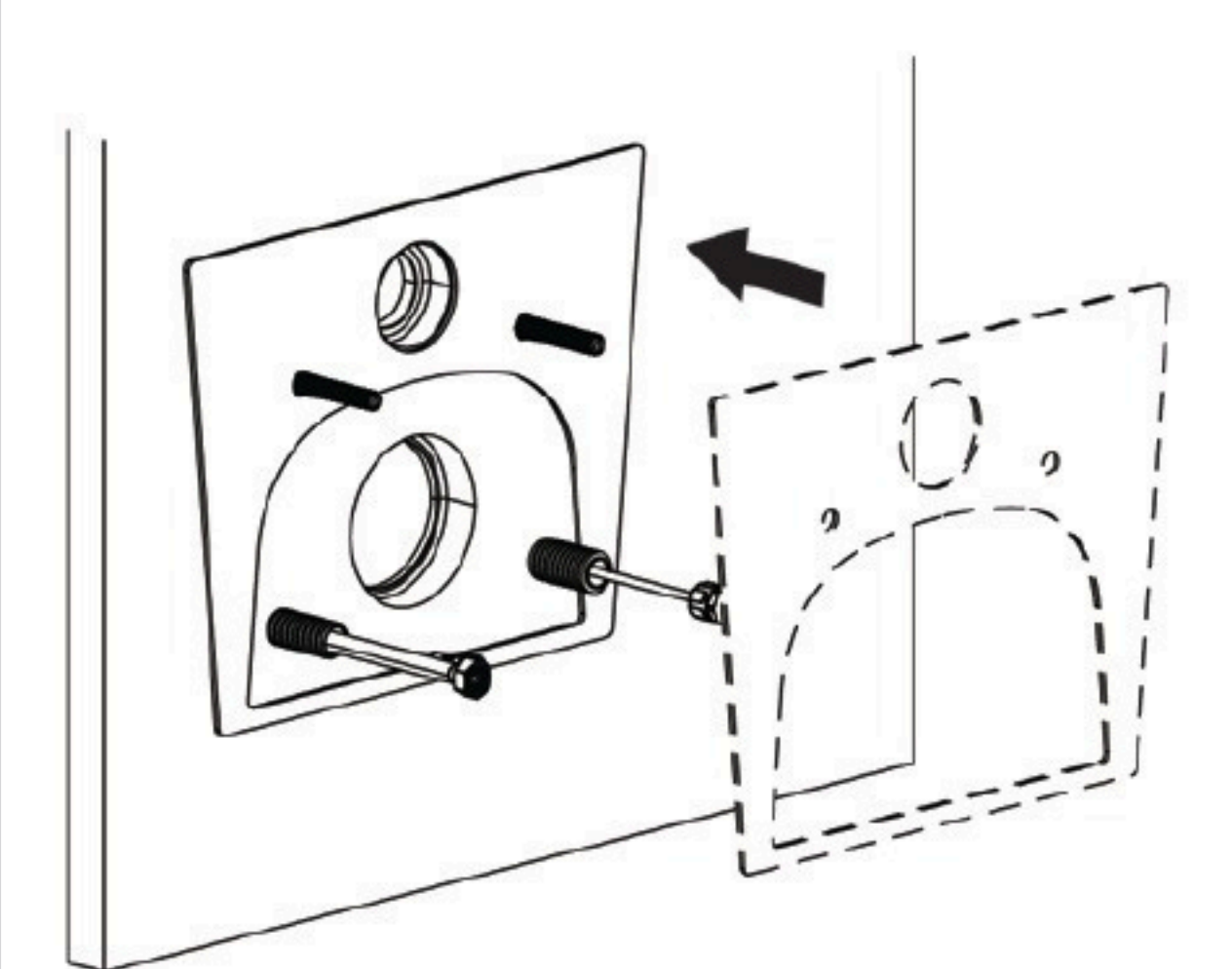


Take out silicone oil sponge and smear silicone oil on the joint of straight pipe and elbow.

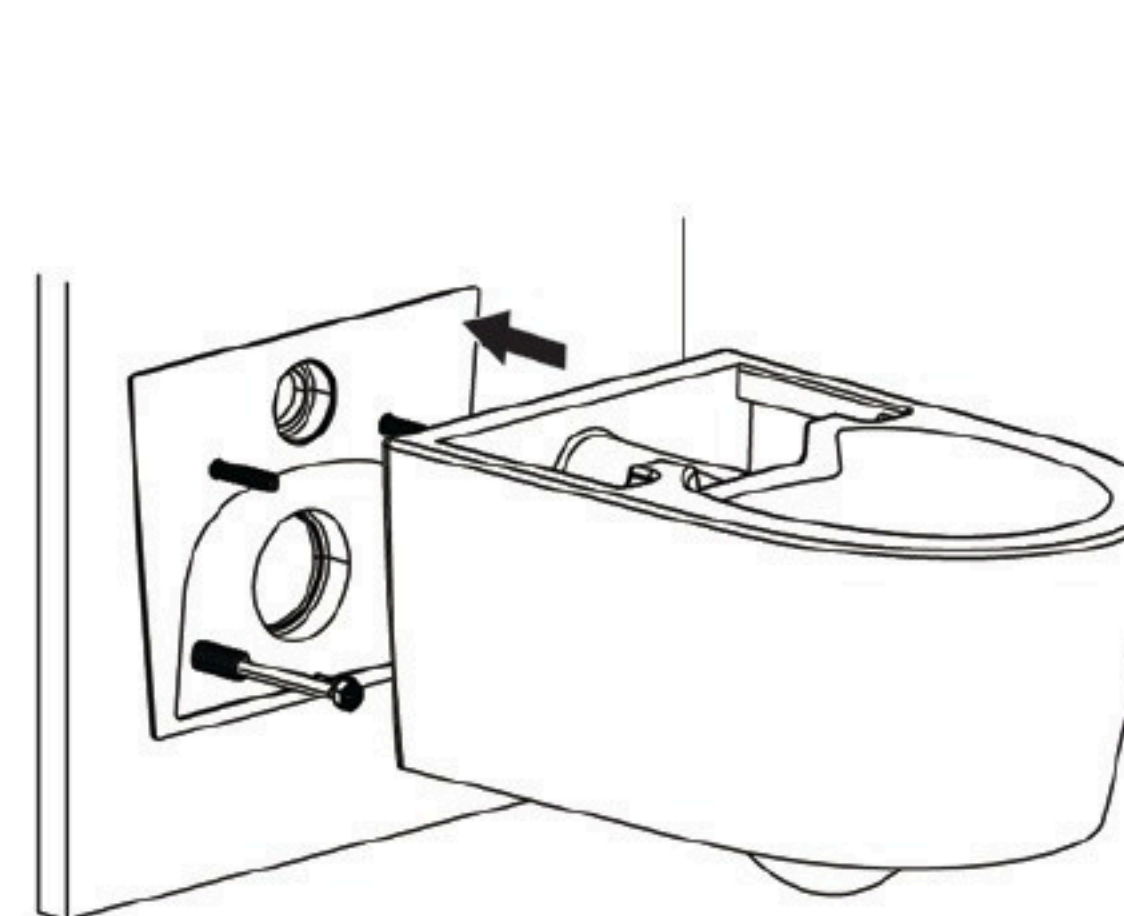
16. Connect drainpipe and inlet.



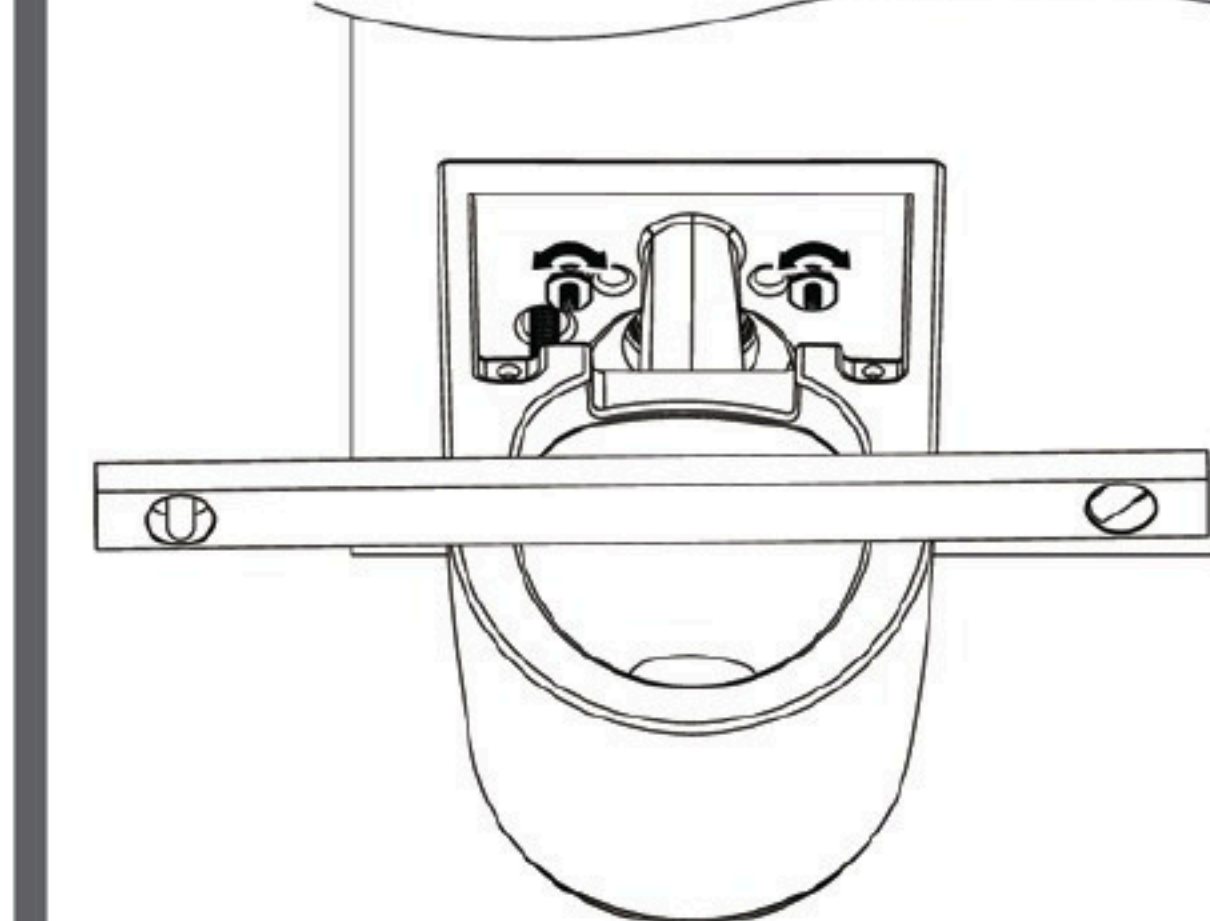
17. Place cushion Foam.



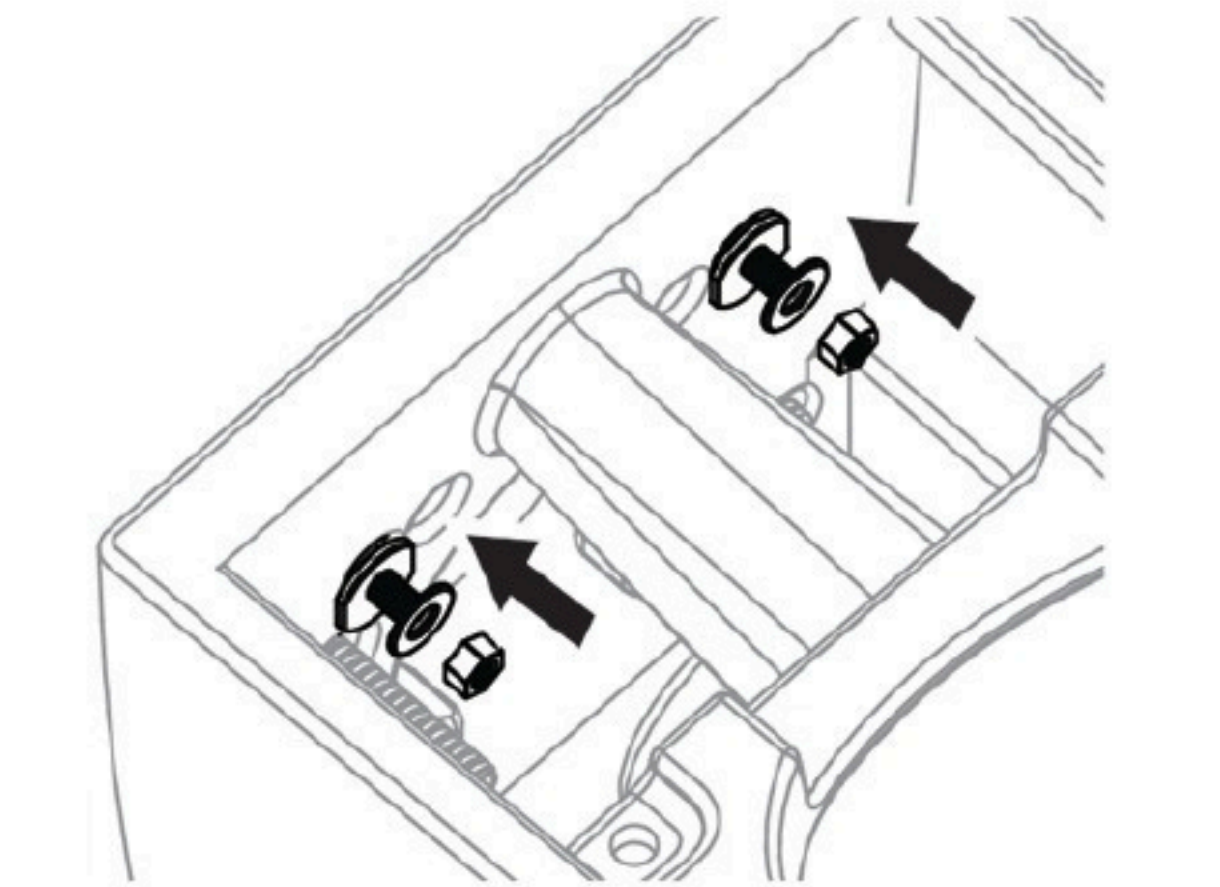
18. Fit ceramics.



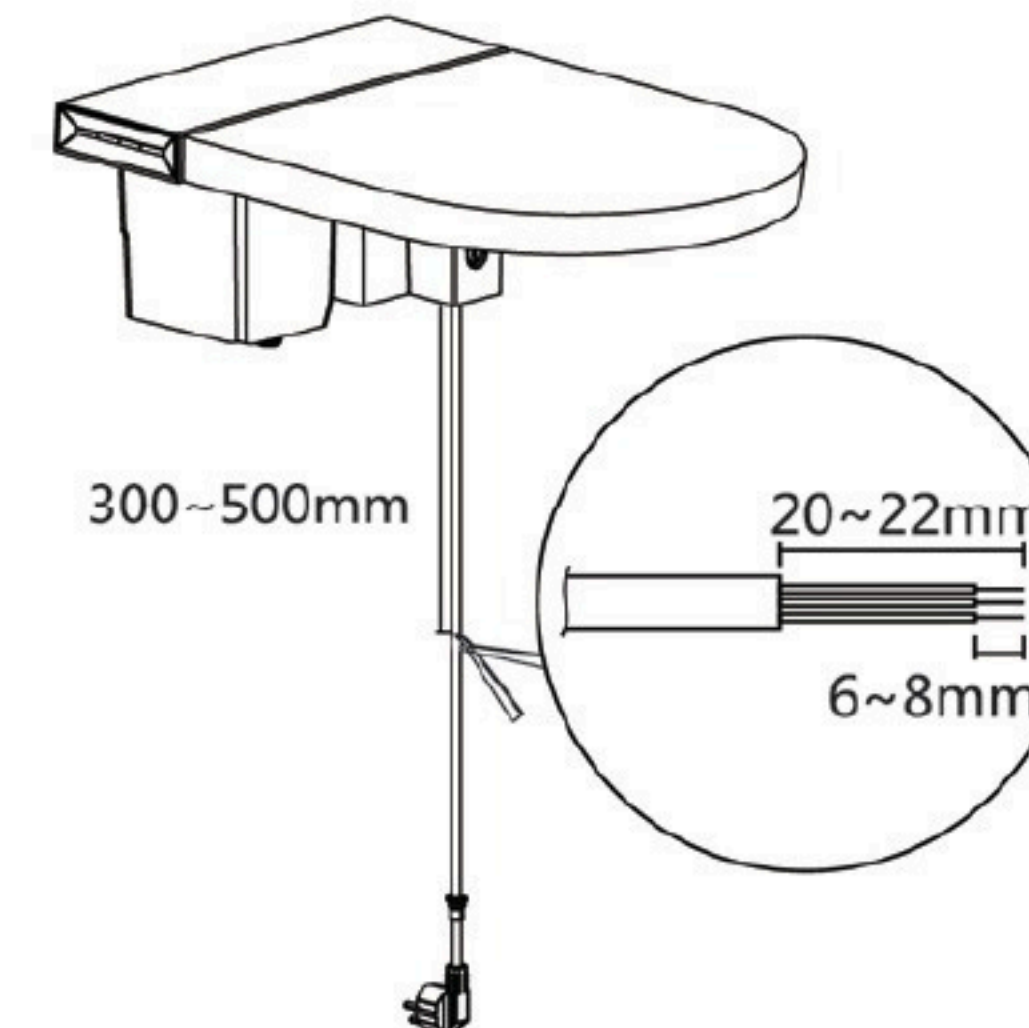
19. Insert eccentric shims and rotate it to keep the ceramic horizontal.



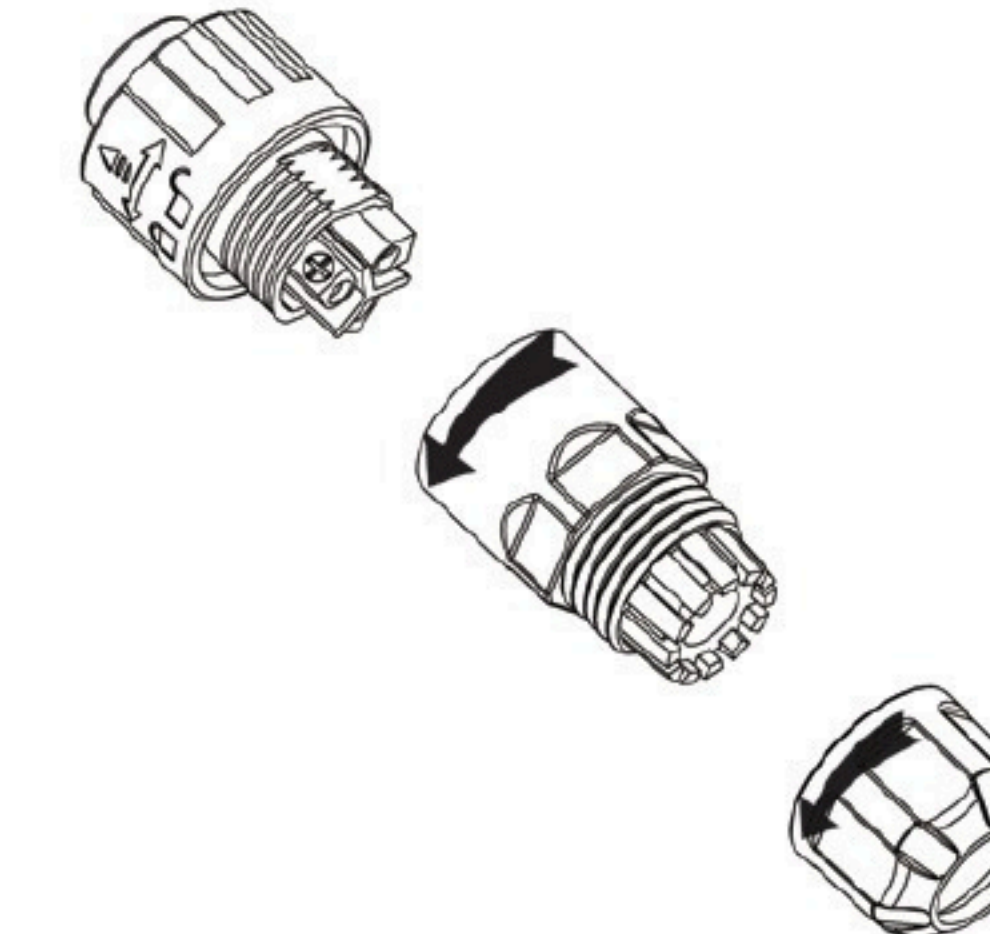
20. Insert shims and tighten the screw to fix the ceramic.



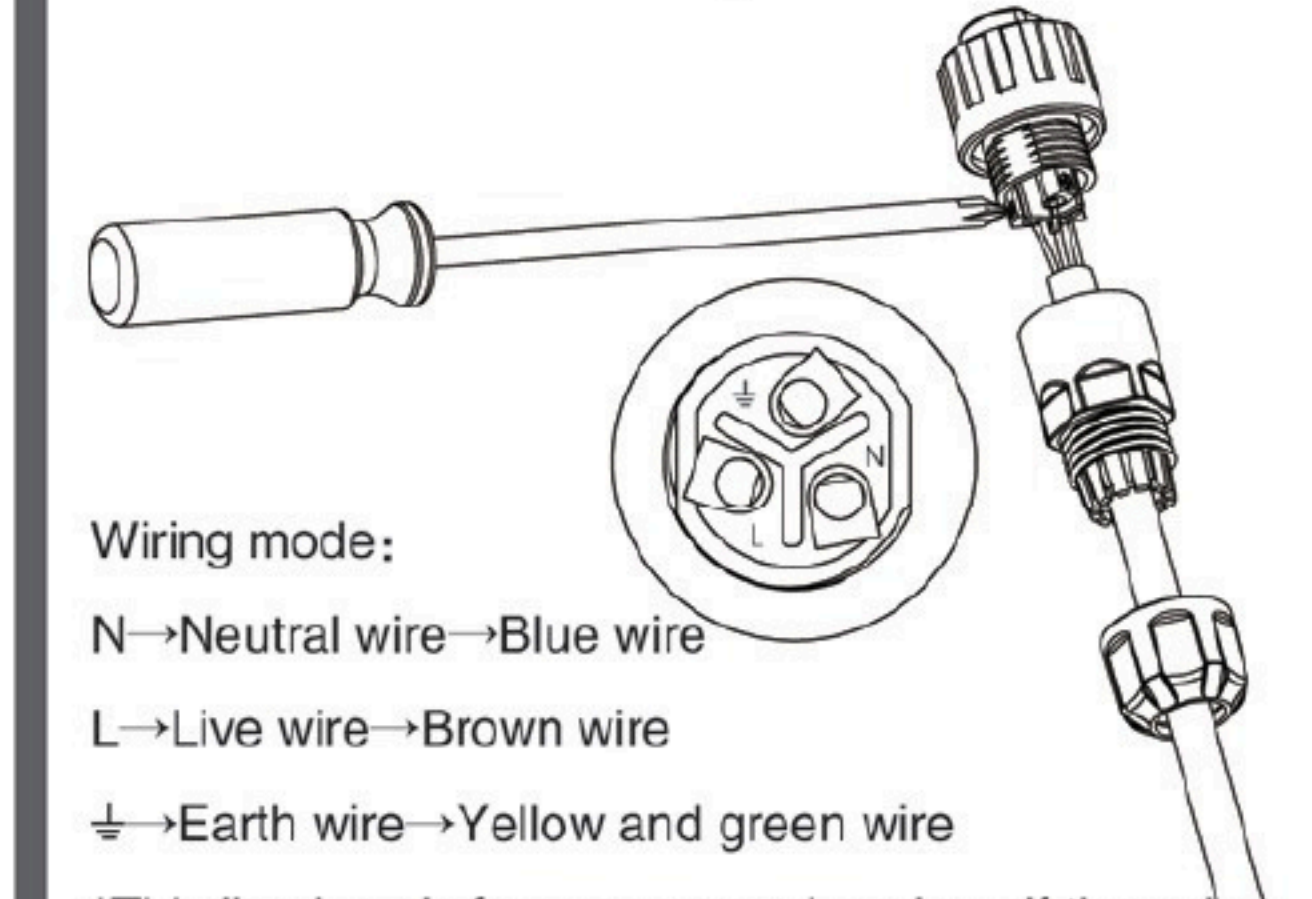
21. Cut the power cord as shown.



22. Unscrew the other power cord adapter.



23. Power cord adapter connect wire.



Wiring mode:

N→Neutral wire→Blue wire

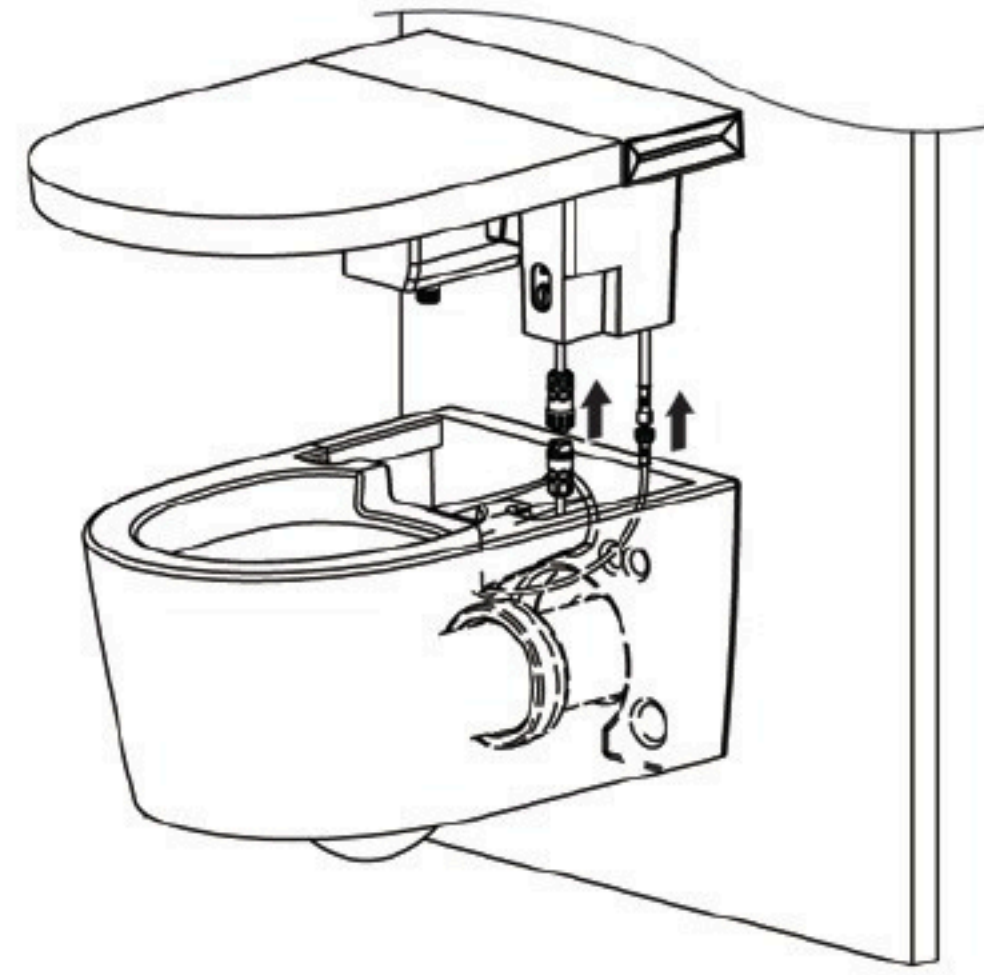
L→Live wire→Brown wire

⊕→Earth wire→Yellow and green wire

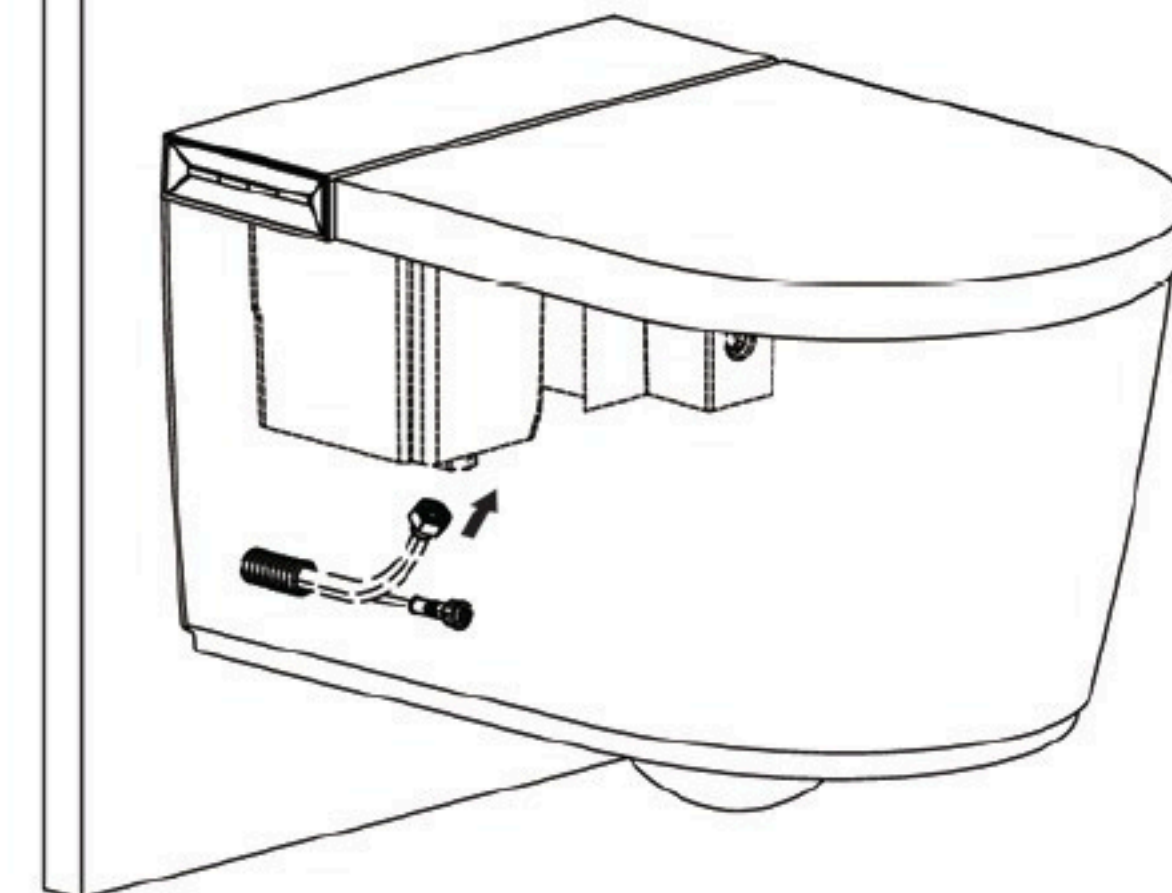
*This line is only for common color wires. If the color of wire is different, please overlap as the actual line.

Installation

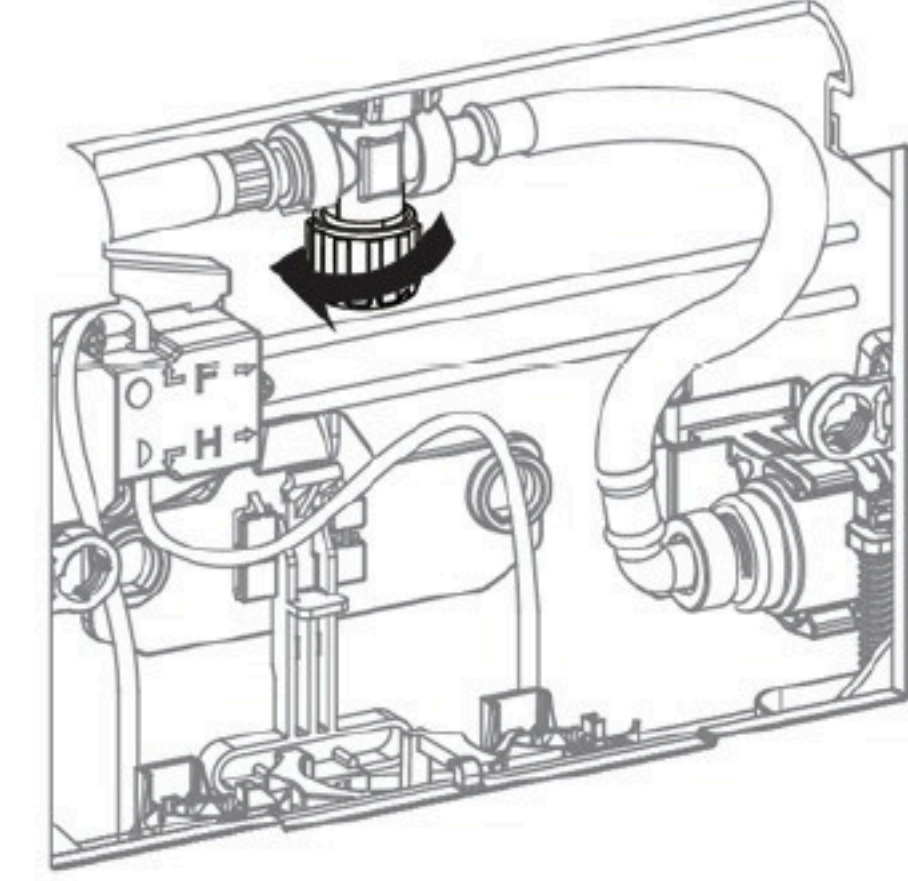
24. Connect circuit.



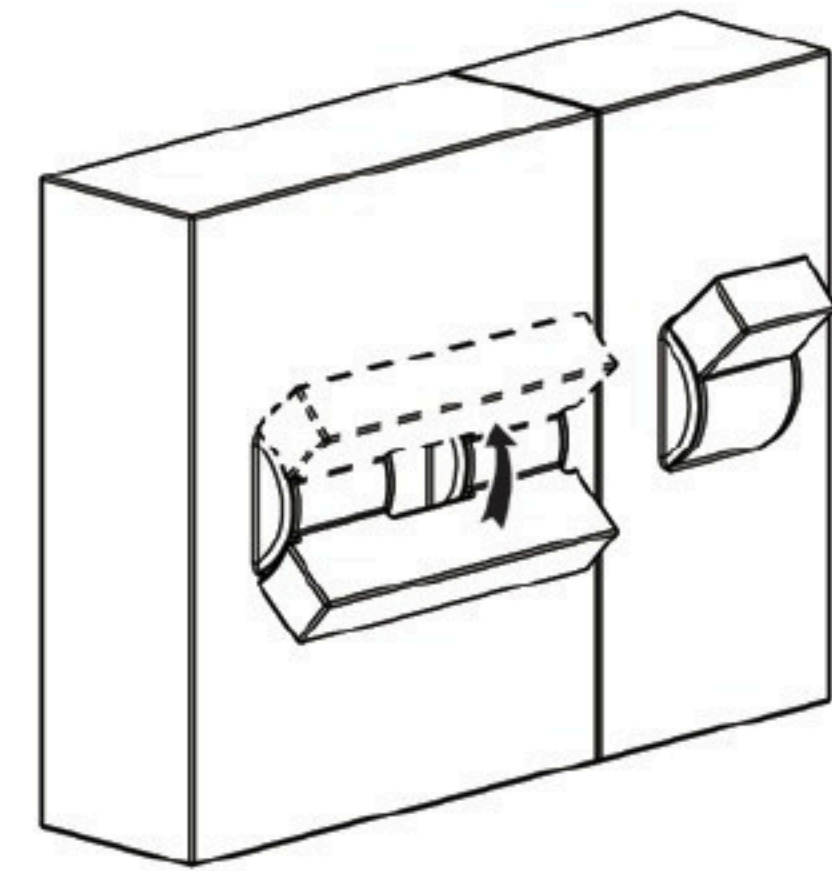
25. Connect the pipeline as the drawing.



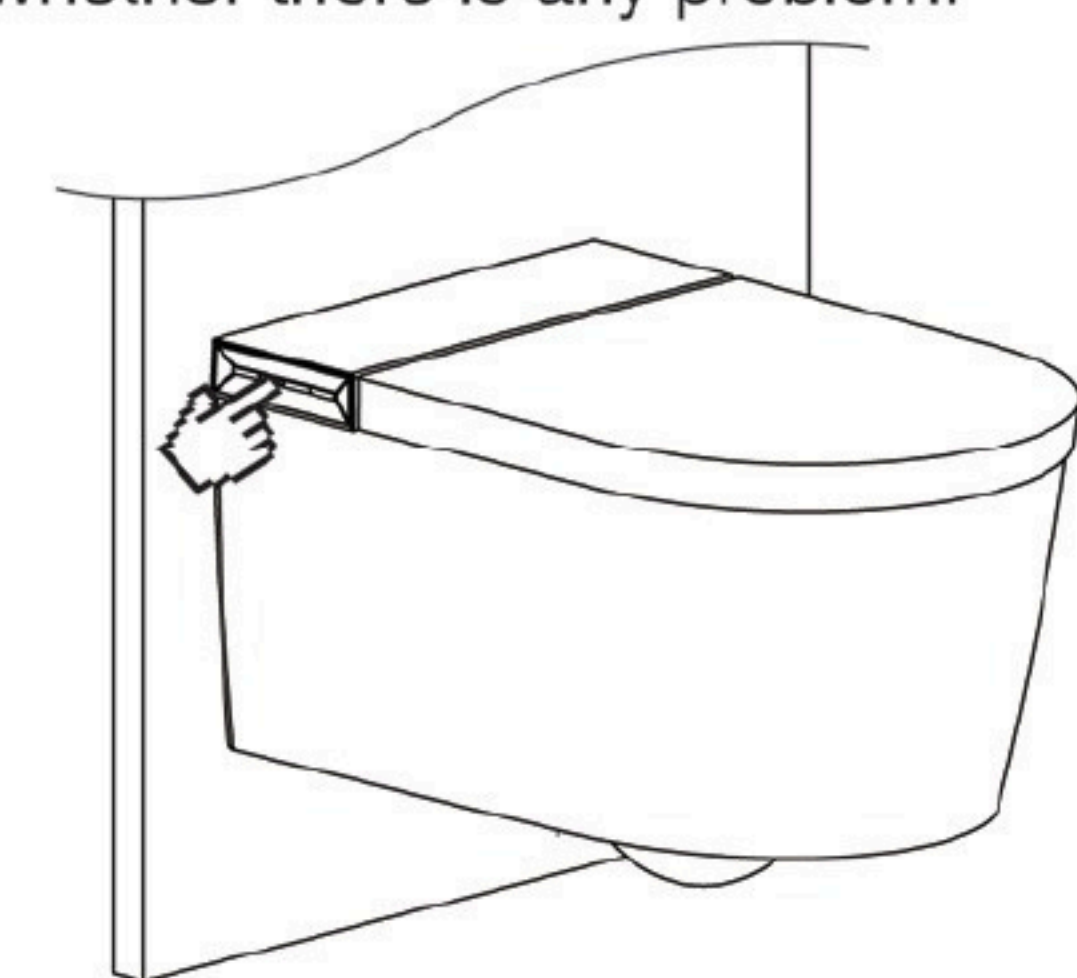
26. Unscrew the angle valve.



27. Turn on the switch.



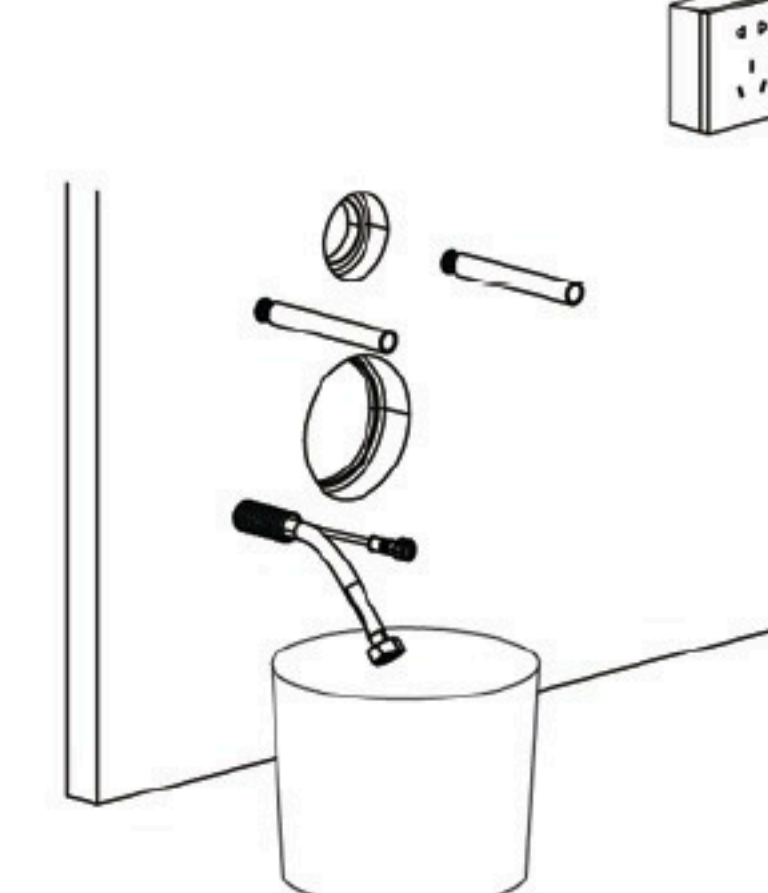
28. Hold the button to flush, check whether there is any problem.



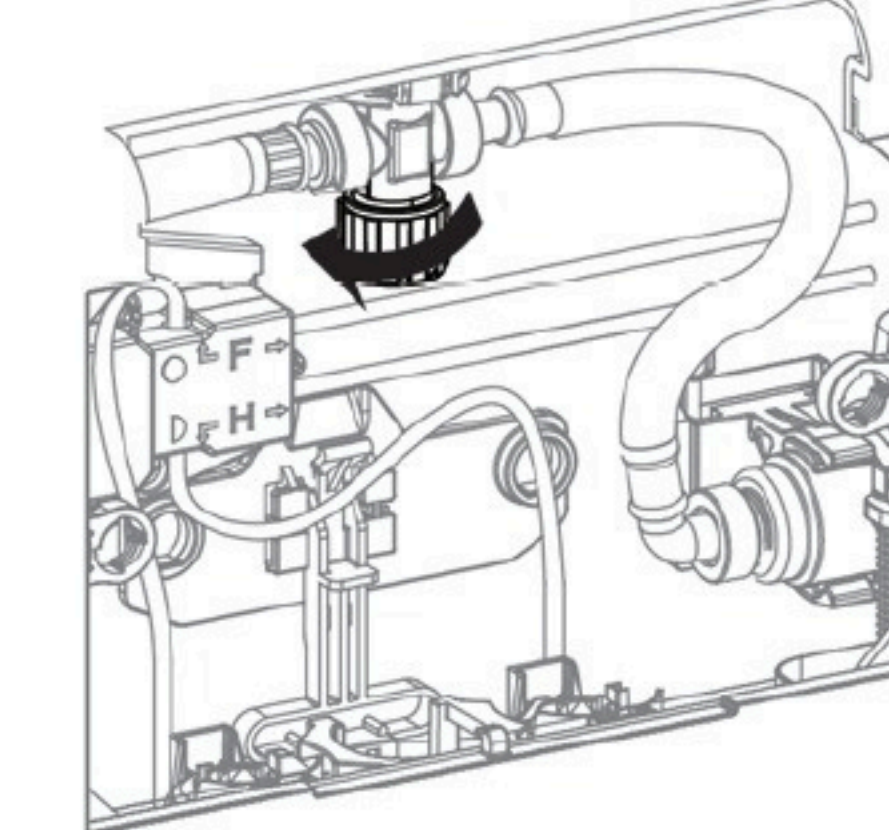
Installation

2. Instal external power wire of toilet

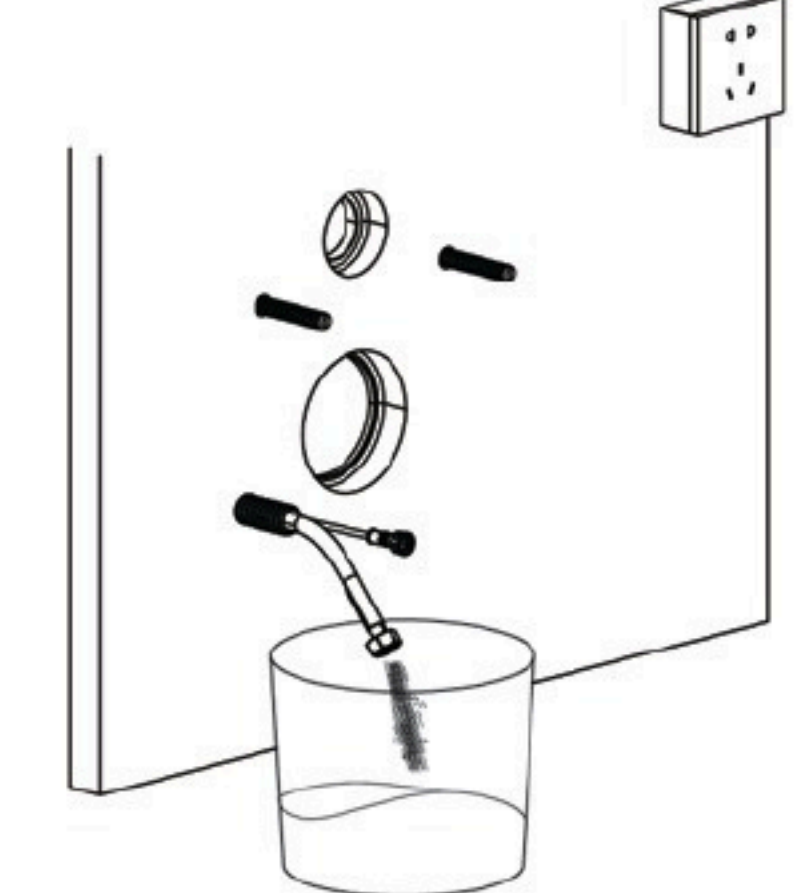
1. Put a bucket under the braided tube and pull out the sheaths.



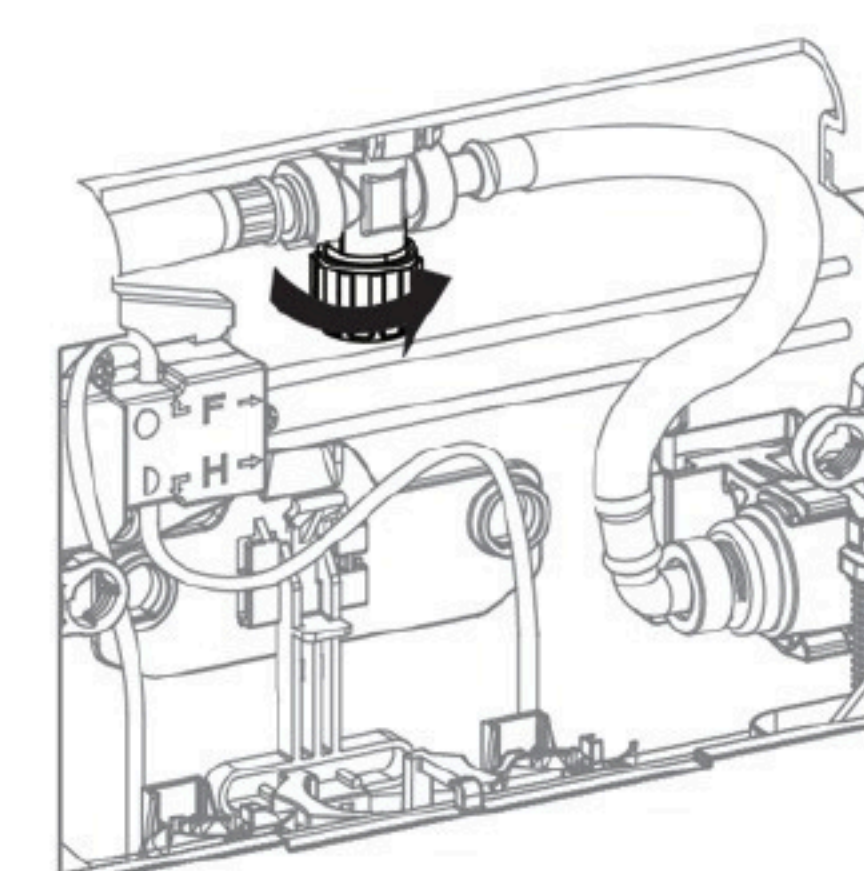
2. Unscrew the angle valve to drain the dirty water.



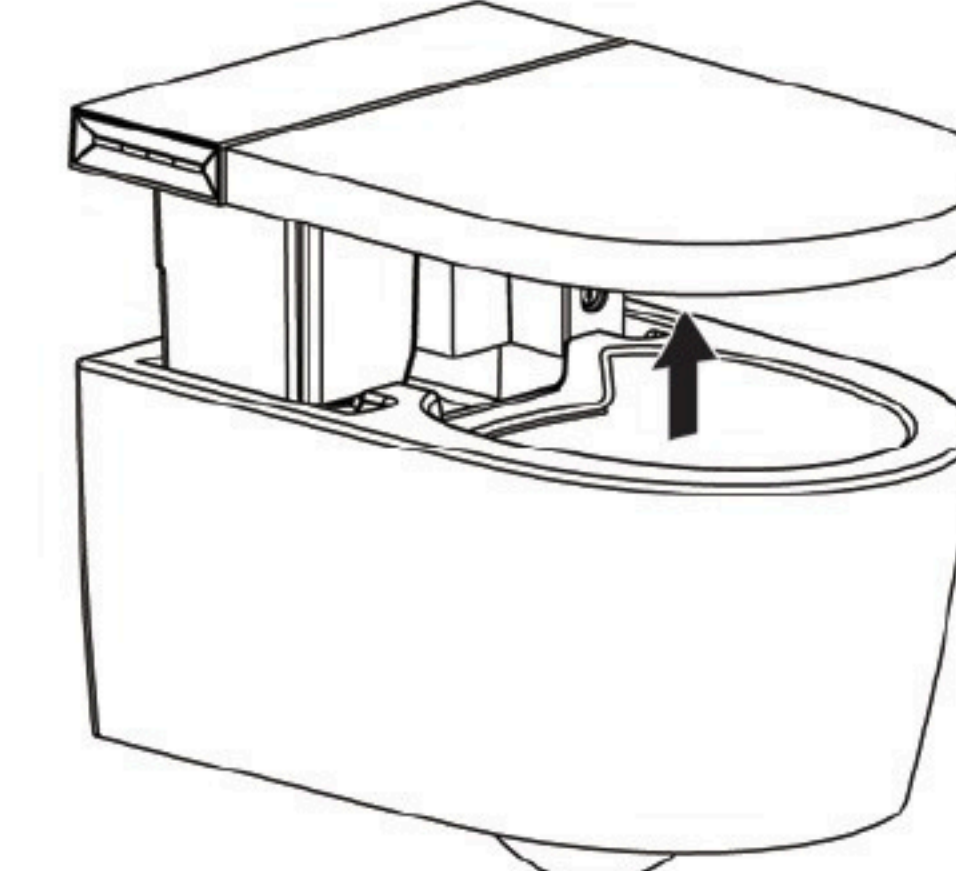
3. Wait 10s.



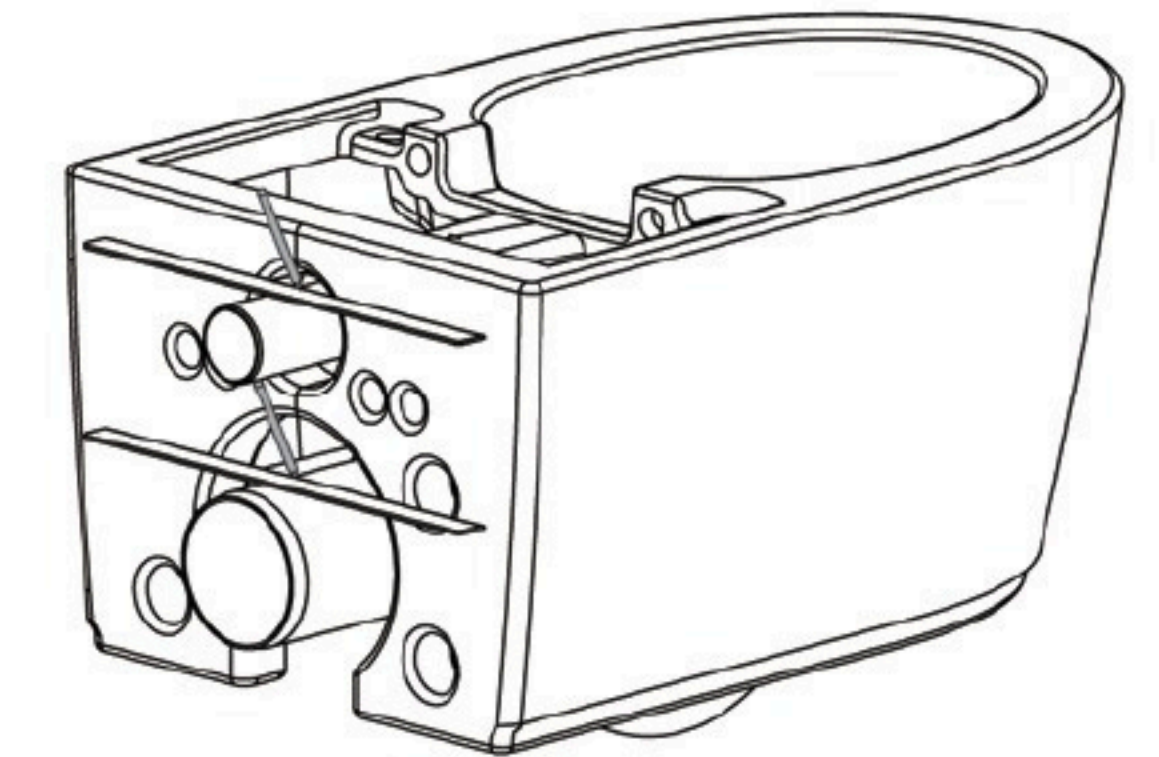
4. Screw the angle valve.



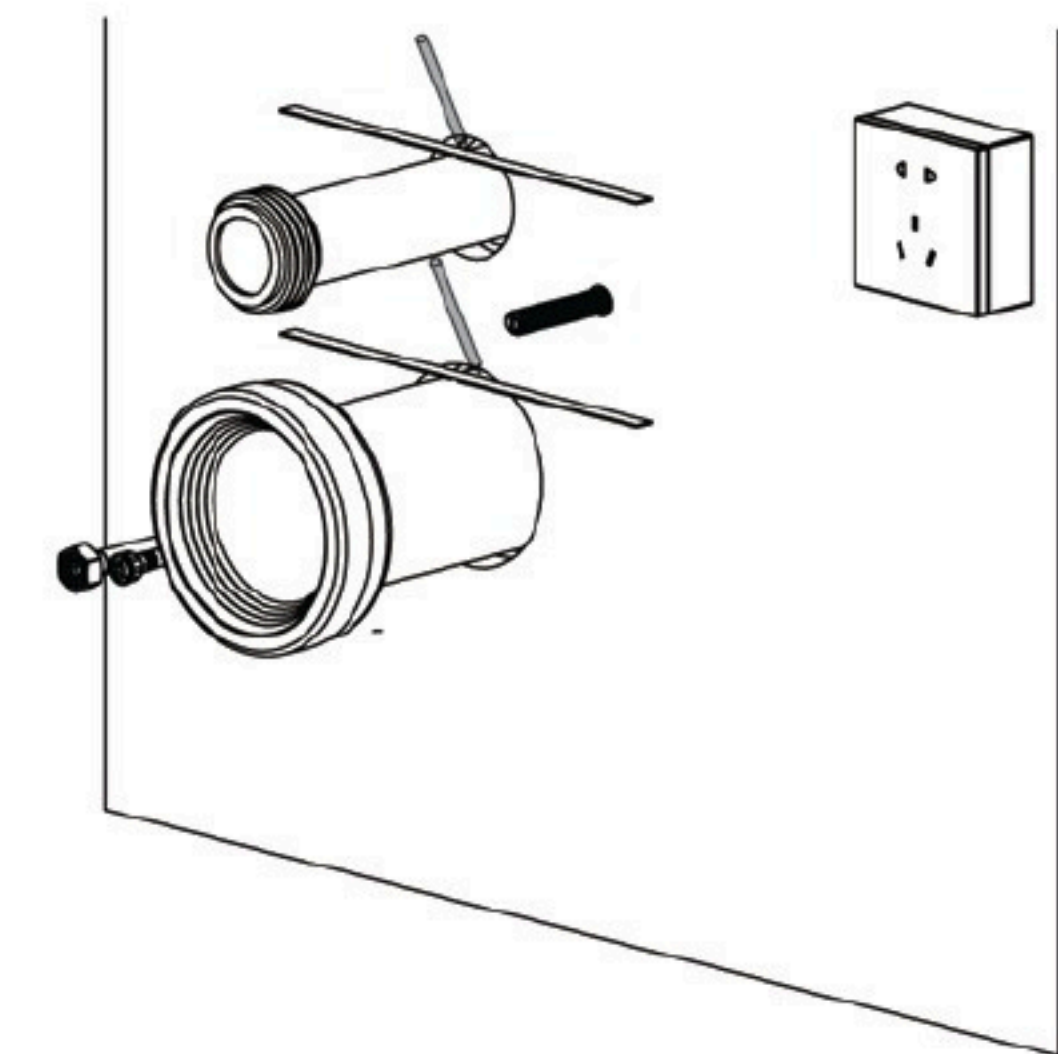
5. Take out the cover



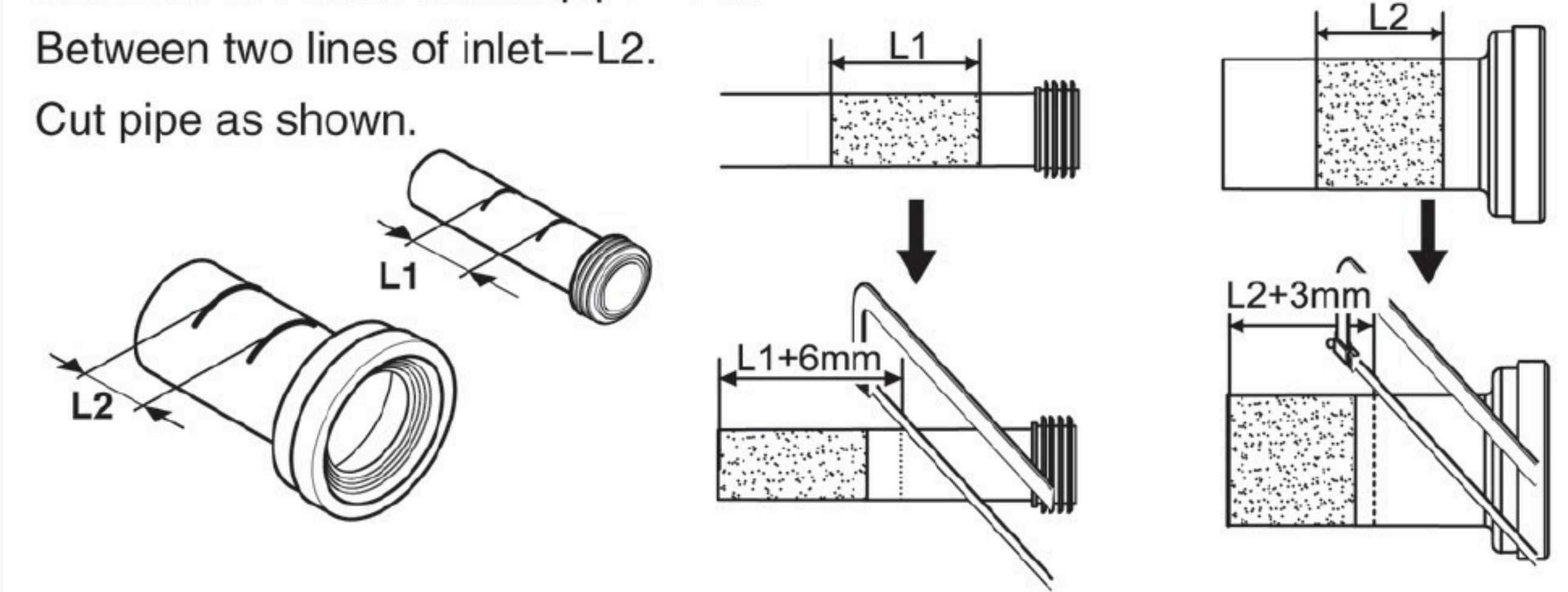
6. Mark drainpipe and inlet (Product)



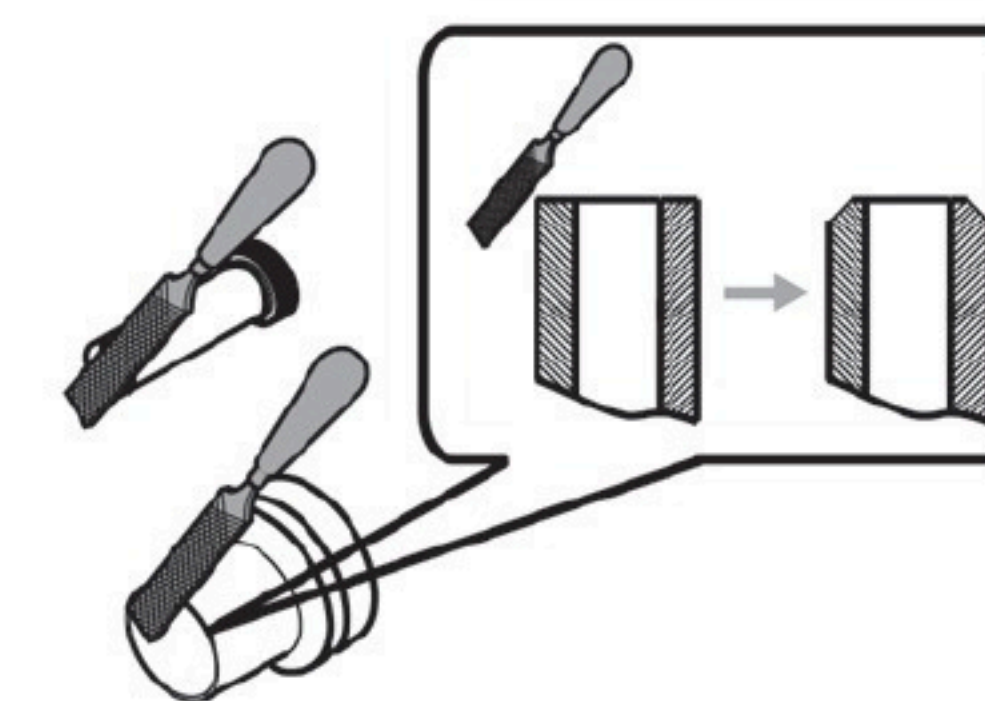
7. Mark drainpipe and inlet (Wall)



8. Cut drainpipe and inlet.
Between two lines of drainpipe--L1.
Between two lines of inlet--L2.
Cut pipe as shown.



9. Polish drainpipe and inlet.



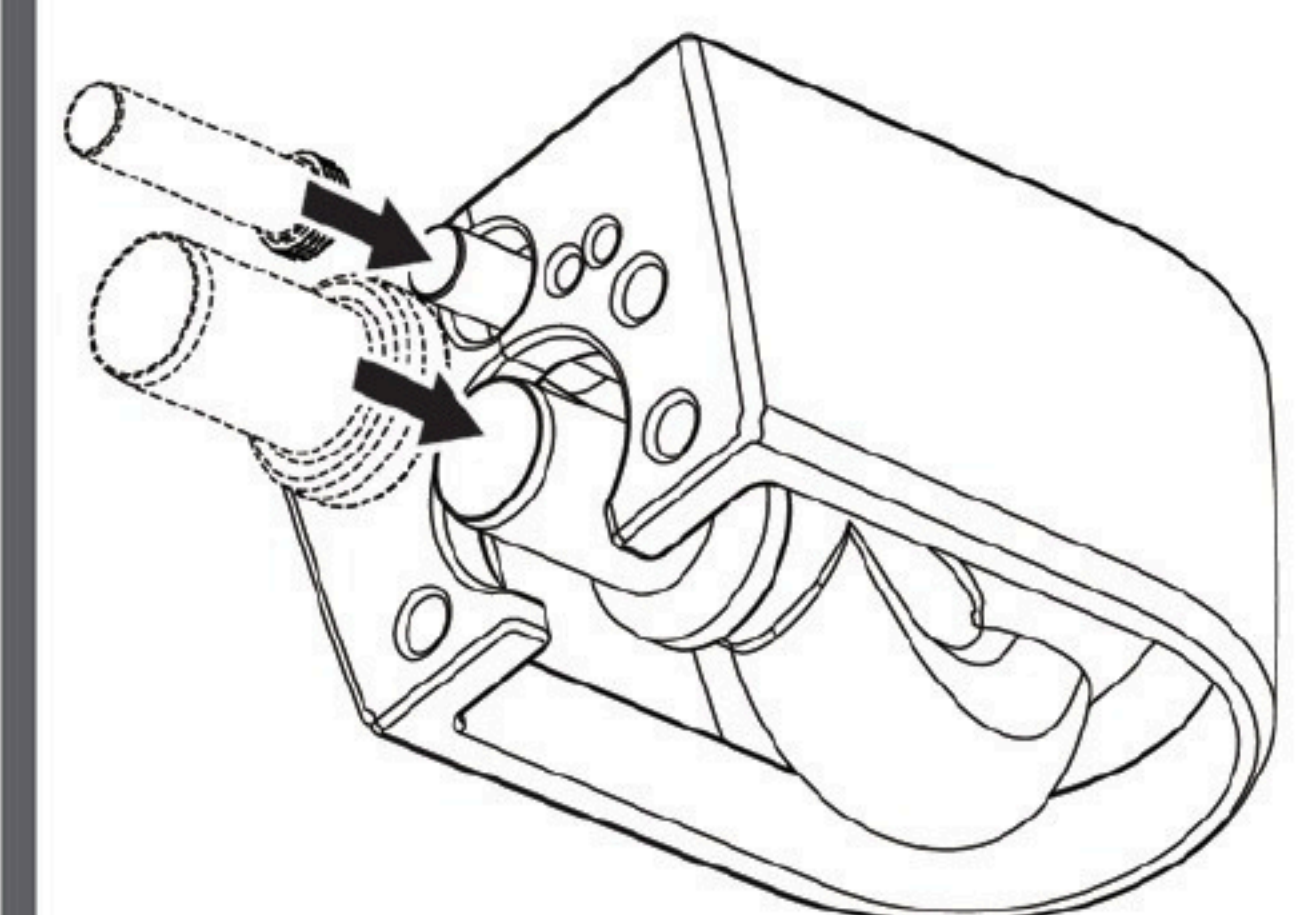
Polish the orifices to the chamfer (as shown in the figure), and remove the burrs

10. Oil drainpipe and inlet.



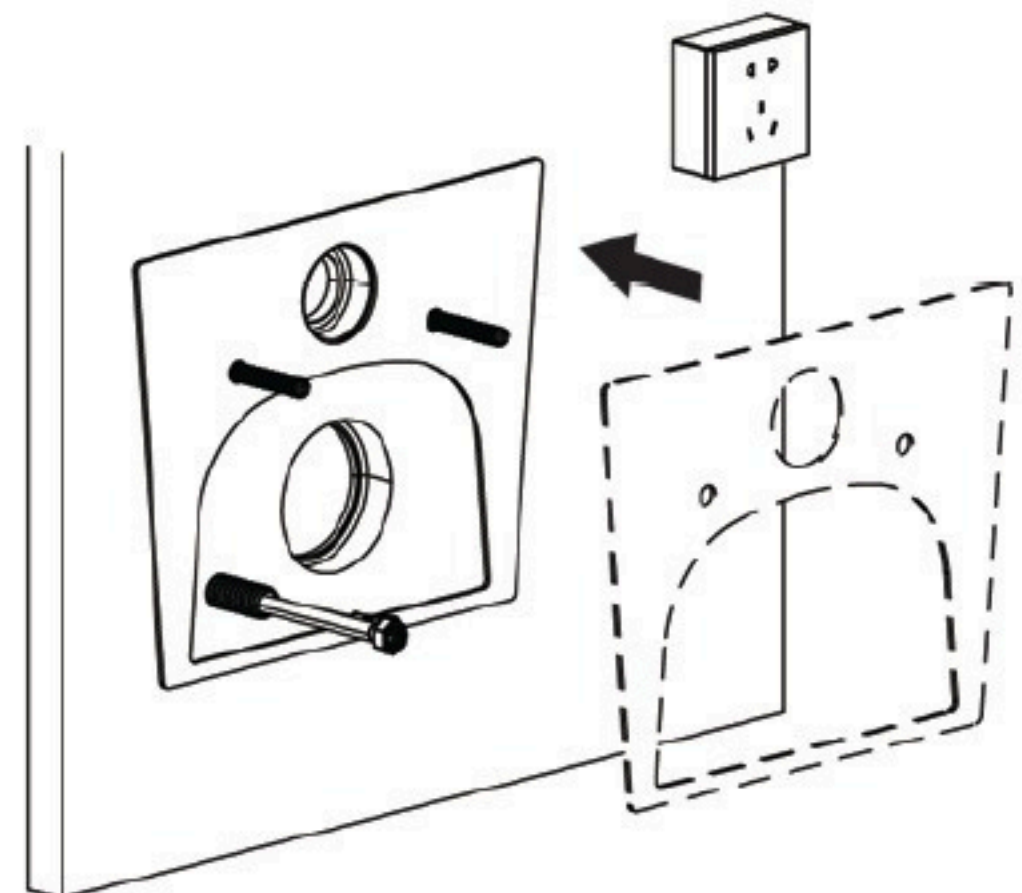
Take out silicone oil sponge and smear silicone oil on the joint of straight pipe and elbow.

11. Connect drainpipe and inlet.

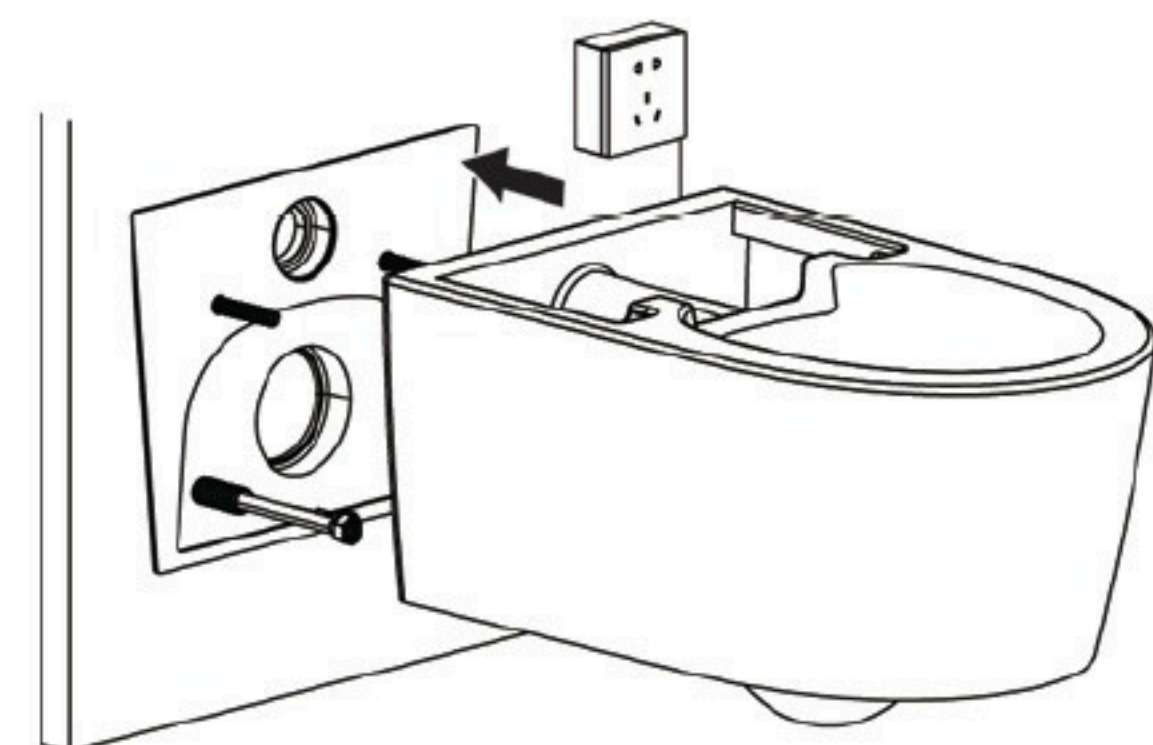


Installation

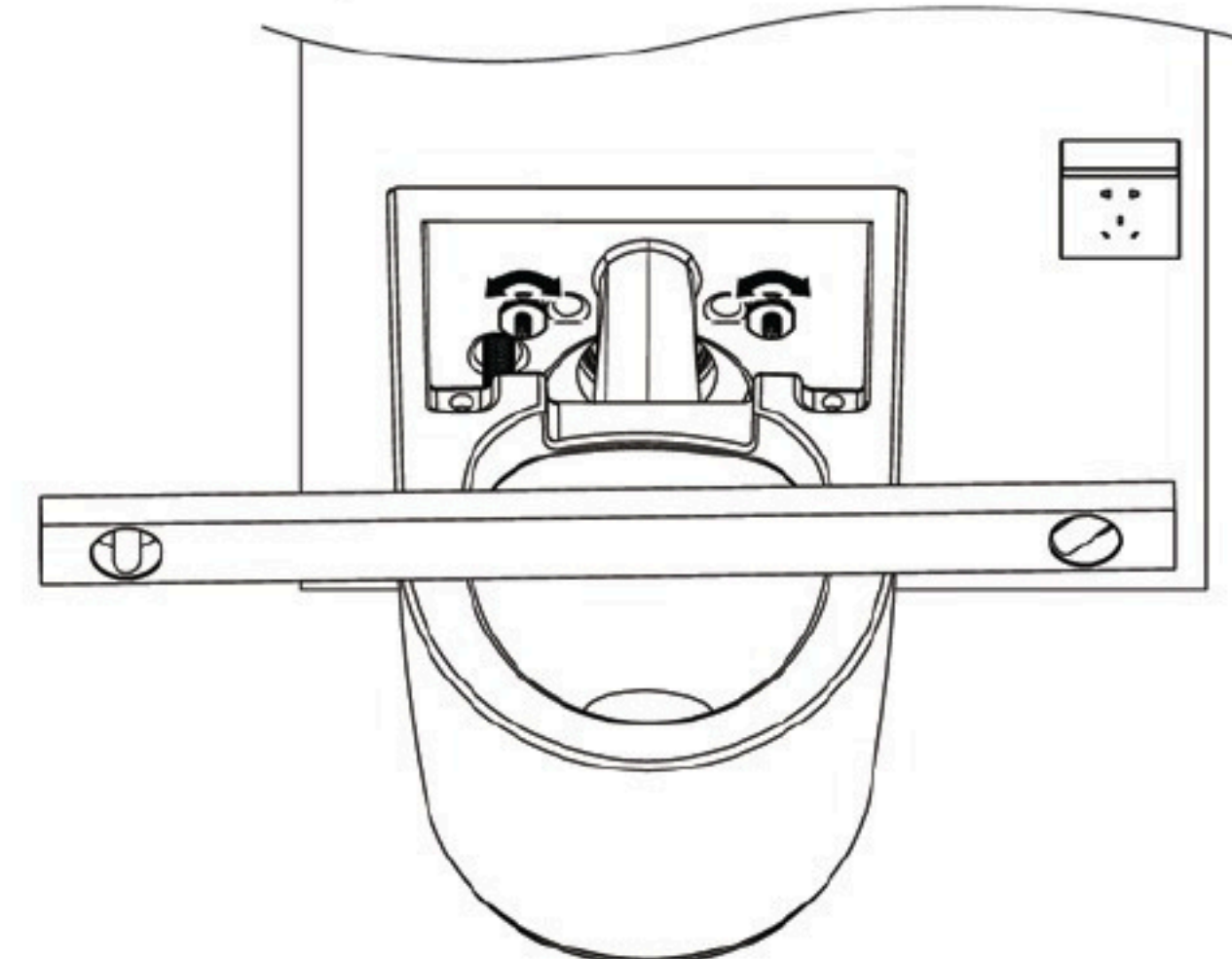
12. Place cushion Foam.



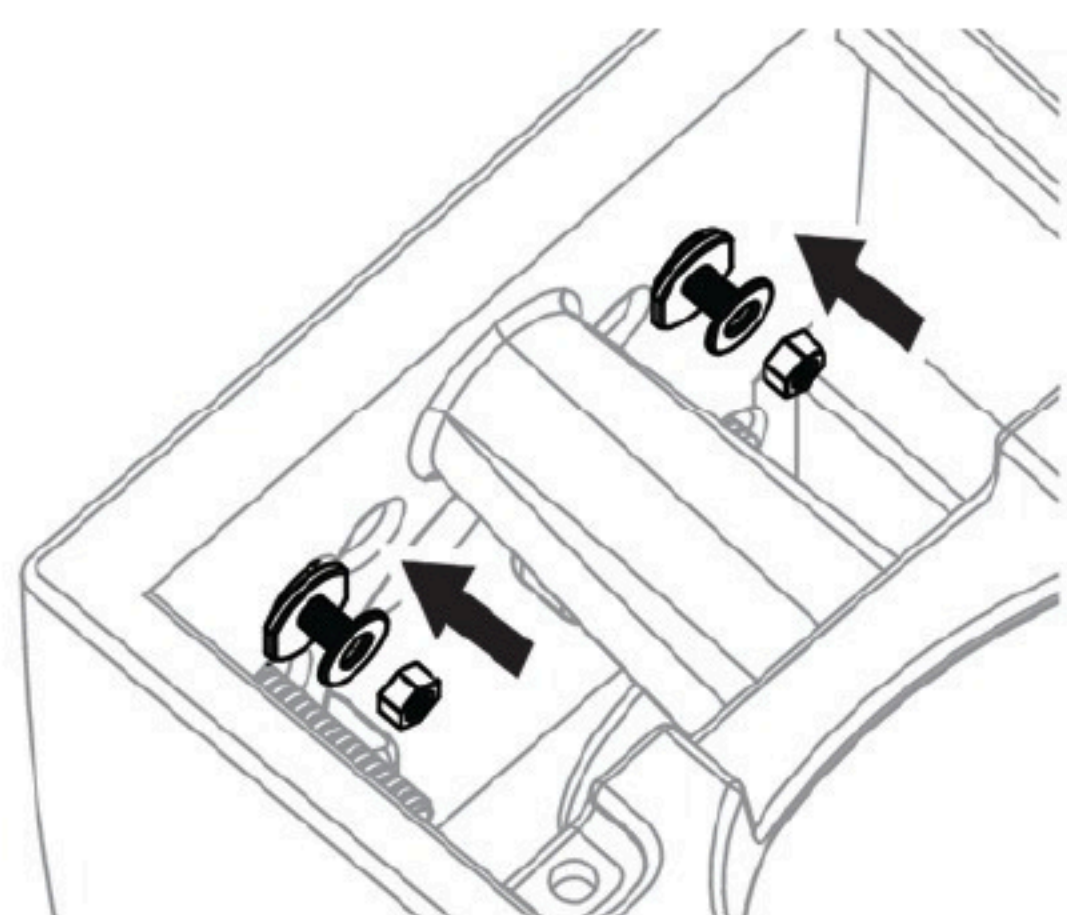
13. Fit ceramics.



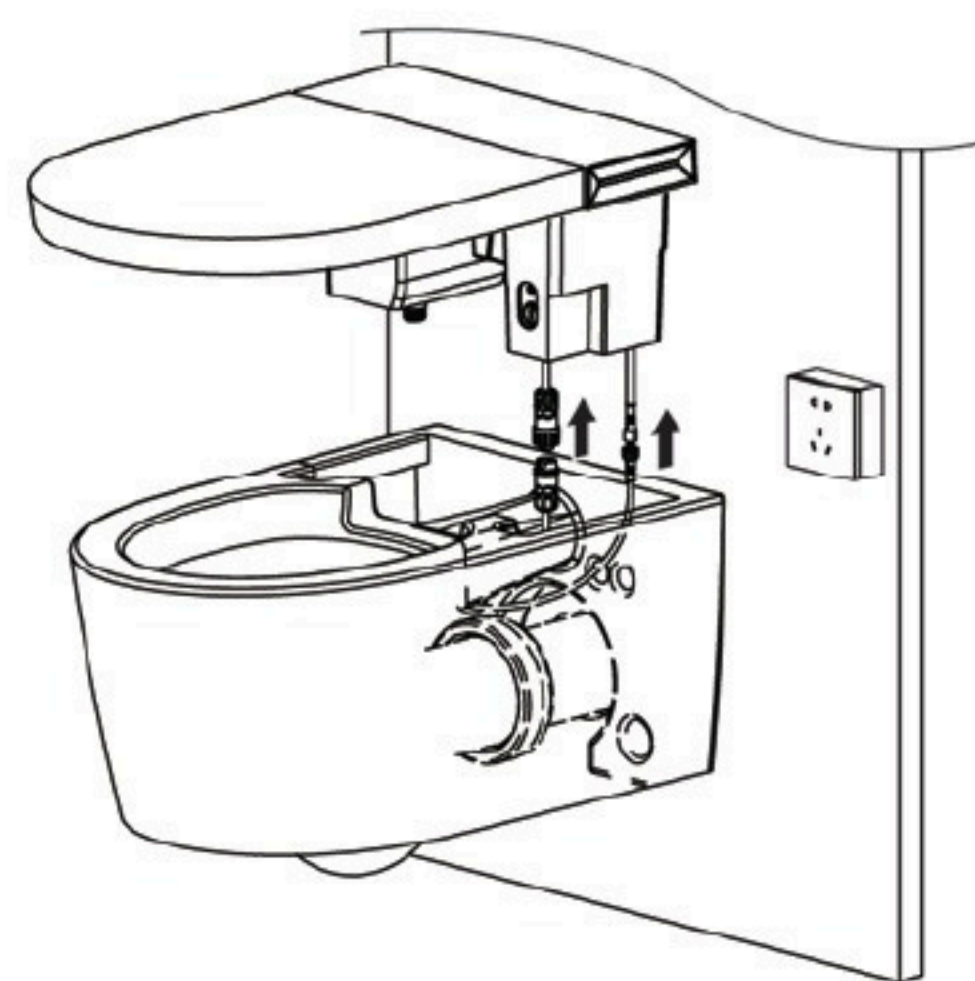
14. Insert eccentric shims and rotate it to keep the ceramic horizontal.



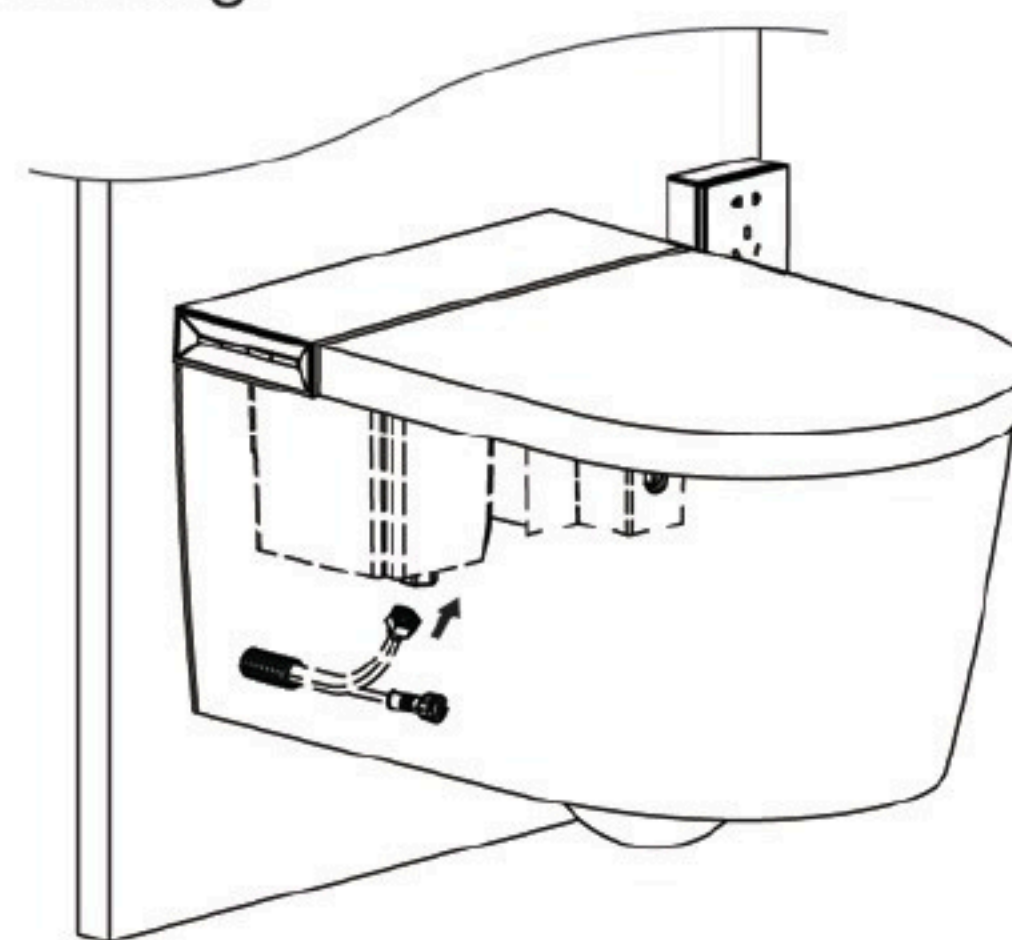
15. Insert shims and tighten the screw to fix the ceramic.



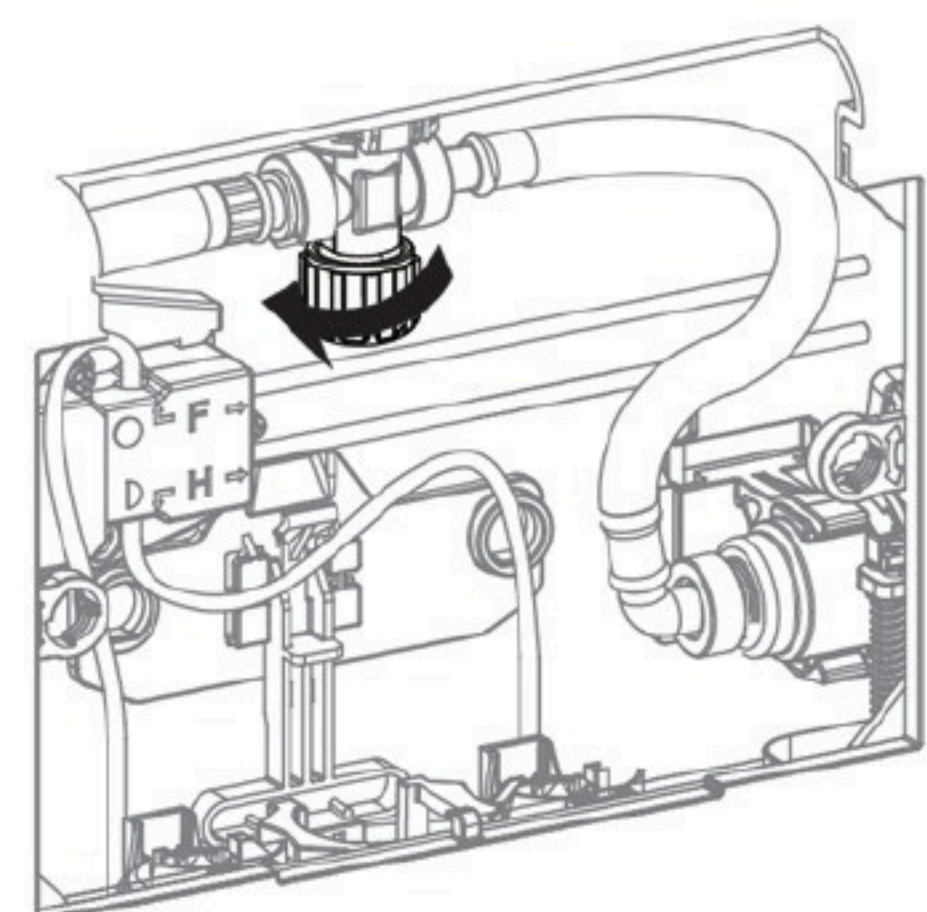
16. Connect circuit



17. Connect the pipeline as the drawing.



18. Unscrew the angle valve.



19. Plug in the socket, hold the button to flush, check whether there is any problem.



Installation

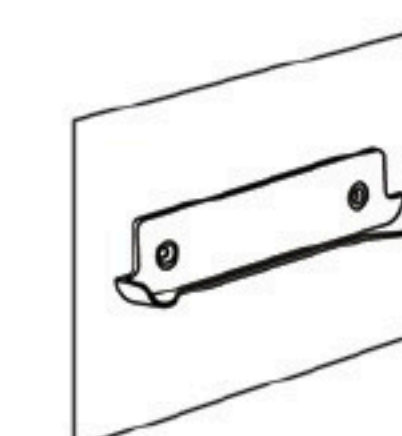
3. Install Remote Control



Tear the protective layer of the tape on the back of the bracket.



Stick the bracket to a dry wall and press hard in the middle.



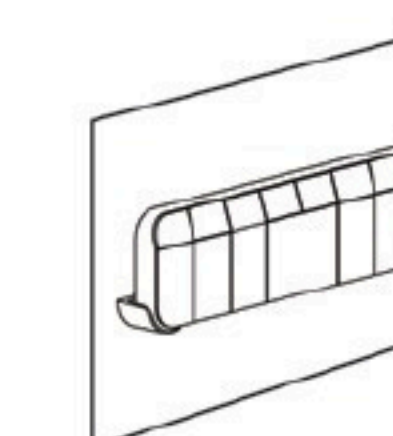
Open the back cover of the remote control battery compartment.



Install the new batteries (two AAA batteries).



Put the remote control on the bracket.



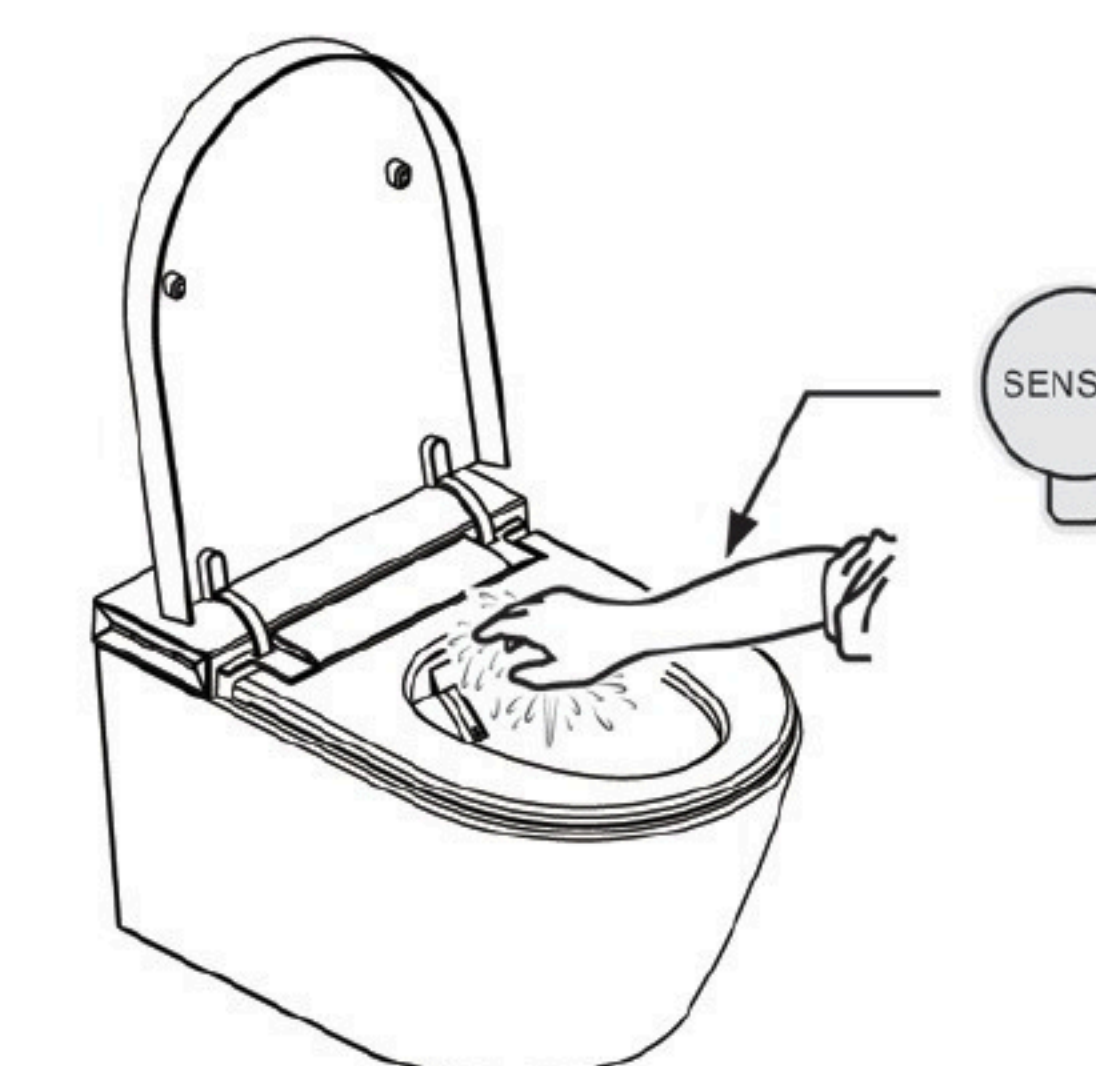
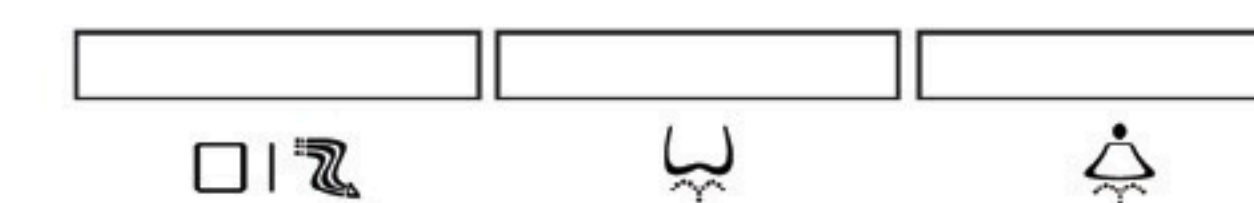
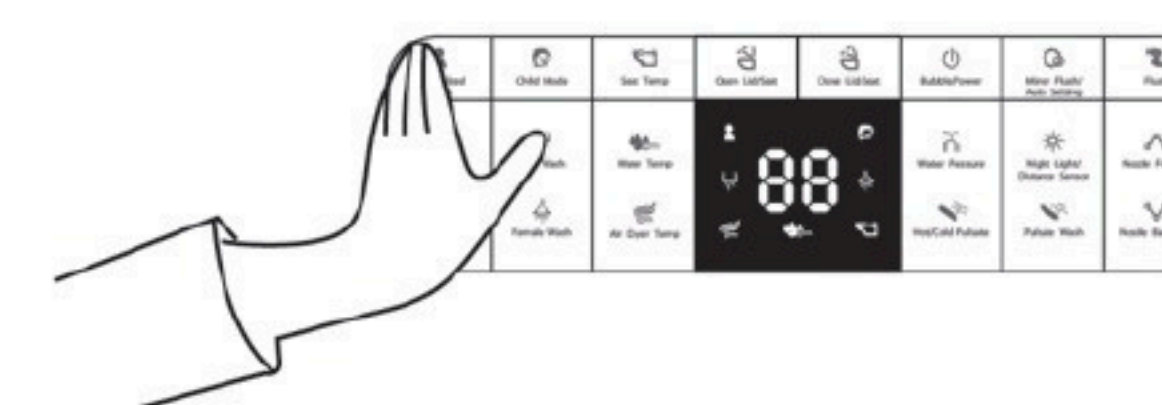
4. Trial Run (test all the buttons of the remote and the side control button)

● All the functions below should be checked.

Rear wash, female wash, water pressure adjustment, position adjustment of the nozzle, water temp, seat temp, dryer air temp, nozzle self-clean.

● Rear Wash Test

Please use your right arm to cover the "seat sensor" sticker on the seat and press the ♀ button on the remote control with your left hand, or you can press ♀ the rear wash button with your left hand to activate the bidet wand for rear wash. Use your right hand to shelter your body or clothes from the water sprayed from the bidet wand.

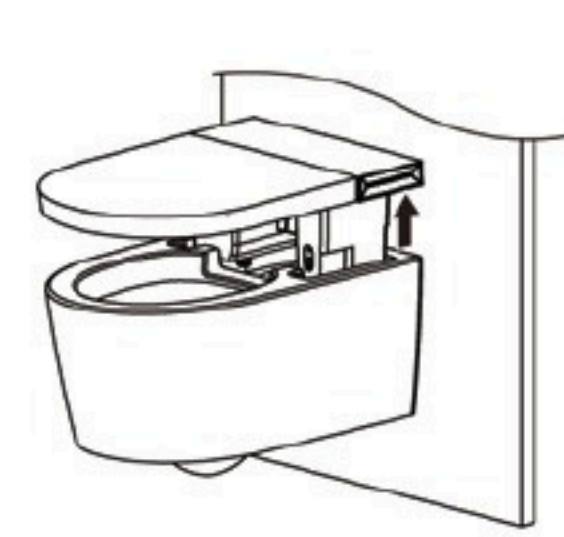


Synchronize the Remote Control

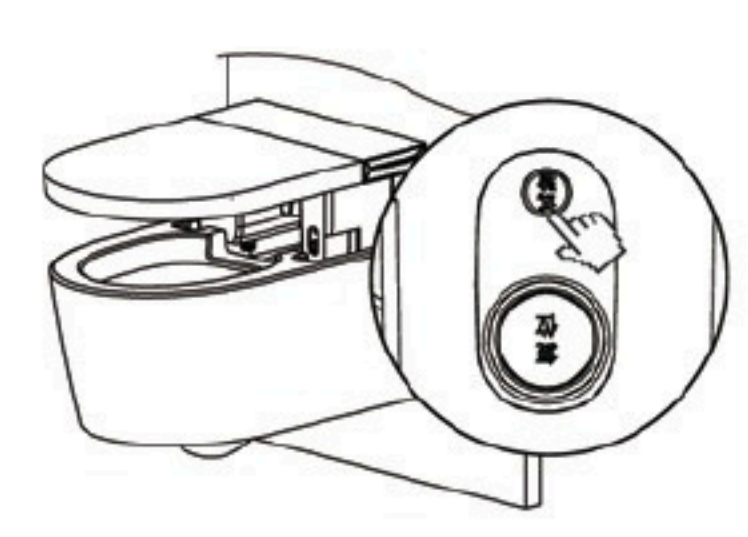
If you change a new remote control or the remote control can not control the toilet, re-synchronize the remote control and the toilet.

The way of synchronize the toilet which is external power wire:

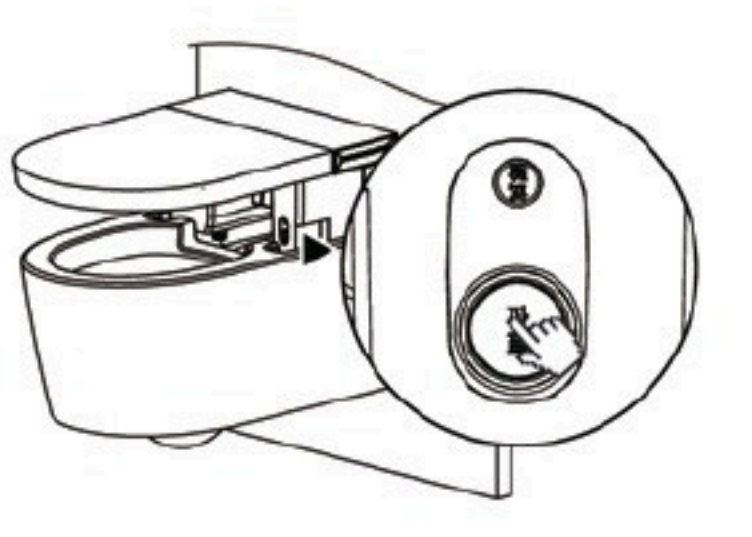
1. Take out the cover.



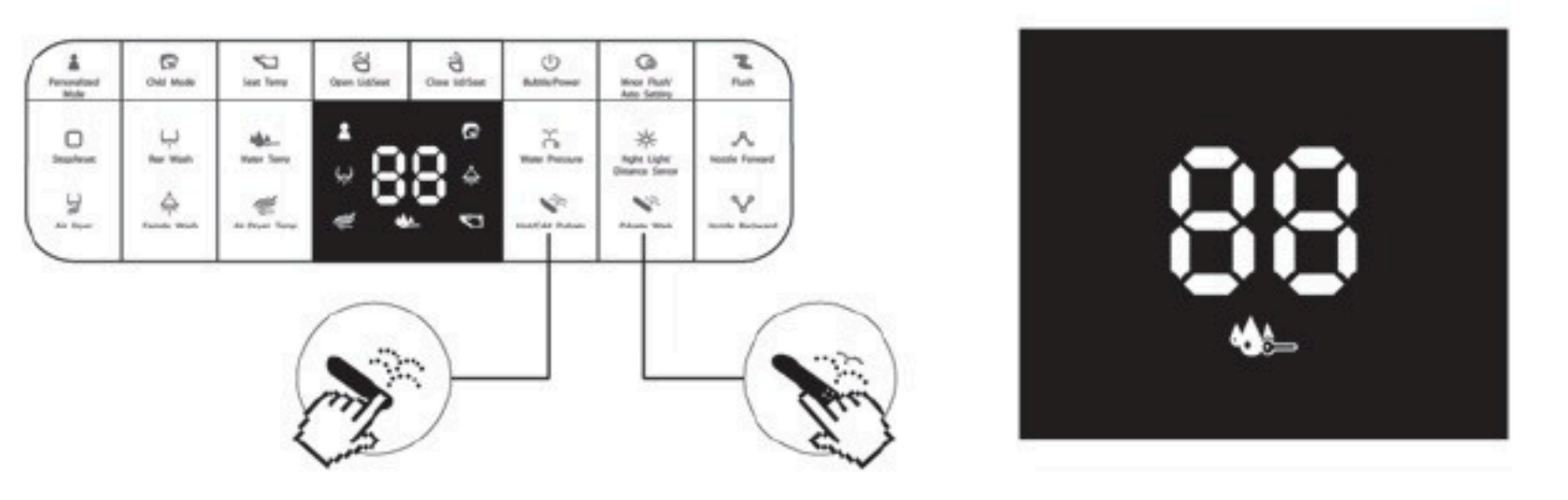
2. Press the "Test" button to powered off.



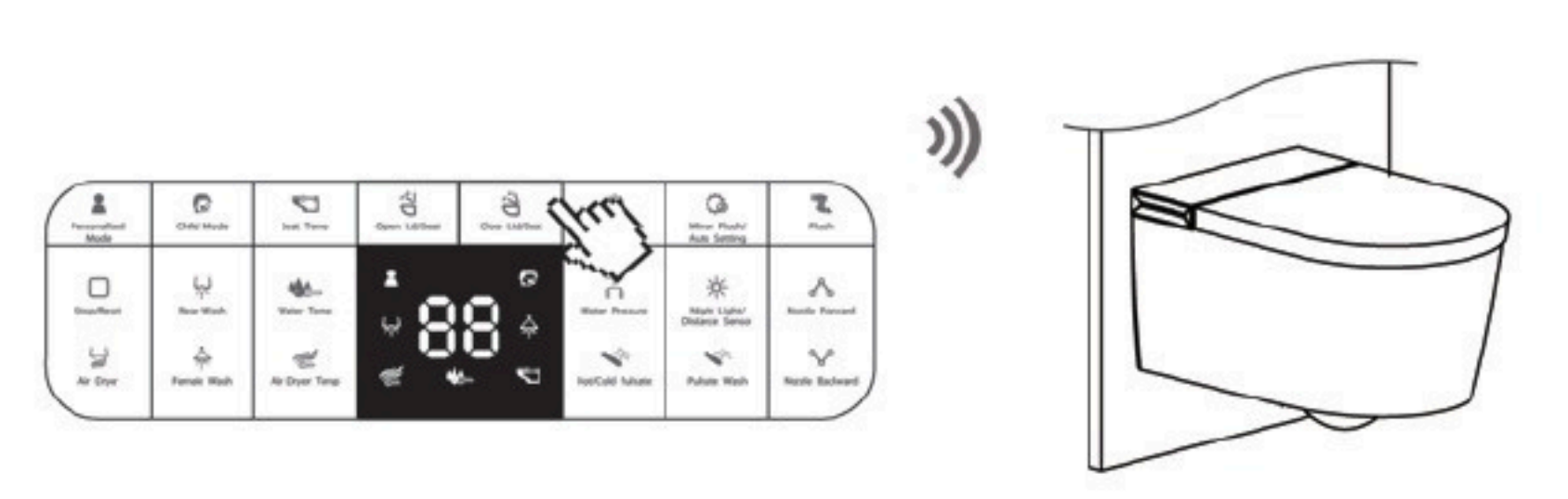
3. Wait for 10s, release the "reset" button until powered on, complete the synchronization in the first 10s.



3. Hold "Hot/Cold Pulsate" and "Pulsate Wash" buttons for 3s together until the remote control display shows the following states. Then the remote control and the toilet are synchronized.

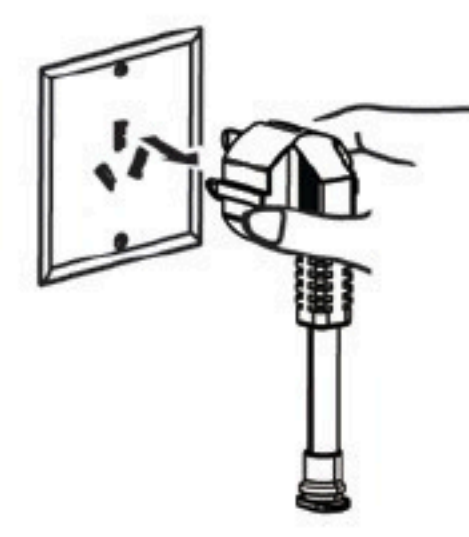


4. Test the remote control. If the toilet cannot be controlled by the remote, repeat step 1 to step 3 to synchronize again.

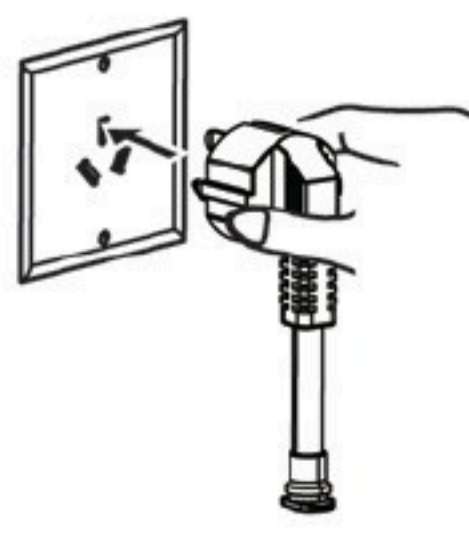


The way of synchronize the toilet which is built-in power wire:

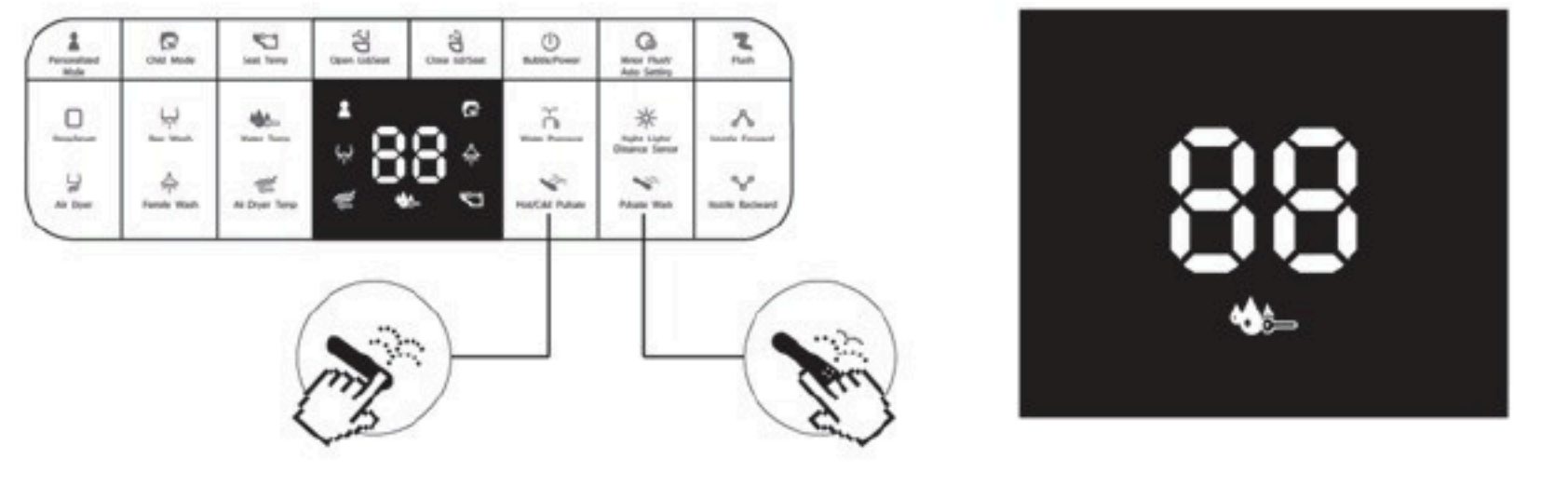
1. Unplug the toilet.



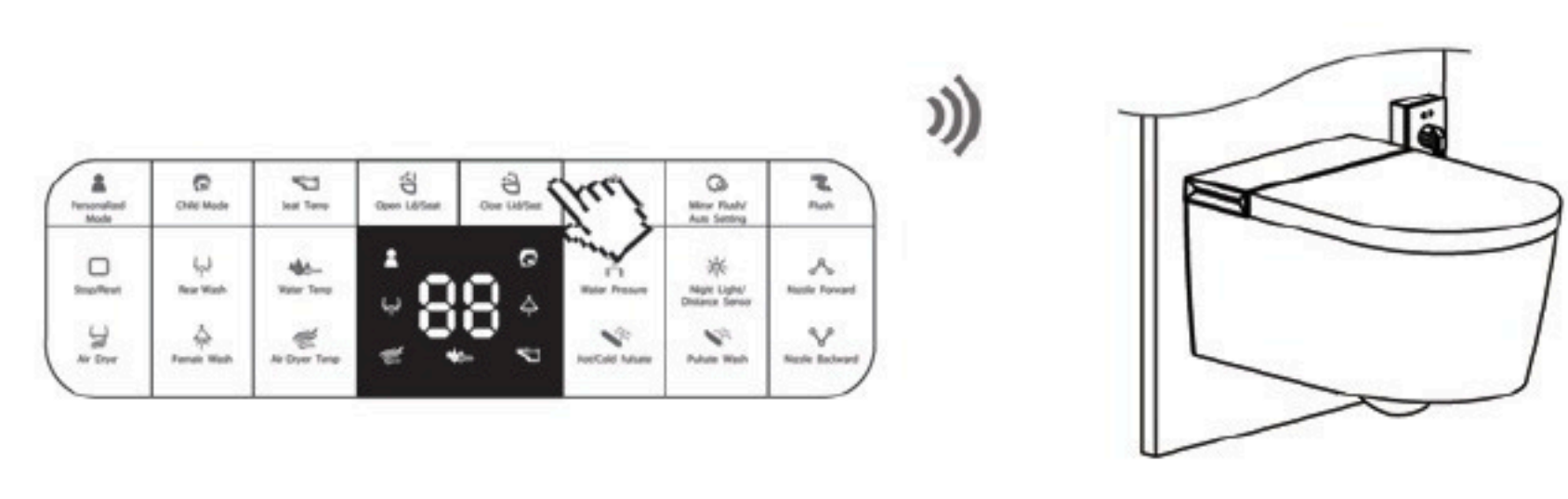
2. After plug in the power supply, complete the synchronization in the first 10 seconds.



3. Hold "Hot/Cold Pulsate" and "Pulsate Wash" buttons for 3s together until the remote control display shows the following states. Then the remote control and the toilet are synchronized.



4. Test the remote control. If the toilet cannot be controlled by the remote, repeat step 1 to step 3 to synchronize again.



How to Use the Remote Control

Personalized Mode	Child Mode	Seat Temp	Open Lid/Seat	Close Lid/Seat	Bubble/Power	Minor Flush/ Auto Setting	Flush
Stop/Reset	Rear Wash	Water Temp	88		Water Pressure	Night Light/ Distance Sensor	Nozzle Forward
Air Dryer	Female Wash	Air Dryer Temp	Nozzle Backward	Hot/Cold Pulsate	Pulsate Wash	Nozzle Backward	Nozzle Backward

Personalized Mode /Oscillate

- To set the functions for a personal use, which is especially good for a child or elder.
- It washes 150 seconds and air dry 4 minutes.
- Hold 3 seconds and when the rear wash and the personalized mode light flash, it means personalized rear wash, and when the personalized mode and the rear wash light flash, it means personalized feminine wash.
- Only one personalized mode could be memorized.

Close Lid/Seat

- When lid is open and seat is close, press to close the lid.
- When both lid and seat is open, press to close the lid and seat. It flushes meanwhile.

Flush

- Press to flush the toilet.

Water Pressure

- Six levers to control. Default level 4.

Air Dryer

- It washes 90 seconds, then automatically air dries 4 minutes.
- You could press to stop the air dry any time if the hygiene is done already.

Air Dryer Temp

- Six levels to control. Default is level 0.
- Level 0: room temperature.
- Level 1: 40°C (104 F) .
- Level 2: 45°C (113 F) .
- Level 3: 50°C (122 F) .
- Level 4: 55°C (131 F) .
- Level 5: 60°C (140 F) .

Minor Flush/ Auto Setting

- Press to flush the toilet.(small amount of water)
- Hold 2 seconds to set the automatic functions.

01	02	03	04	05	06	07
Power Save	Automatic Flush	Flush Mode	Automatic Bubble Infusion	Automatic Open Lid/Seat	Automatic Deodorize	Foot Sensor

- For power save, is off. is on.
- For automatic flush, is off. is on.
- For flush mode, is to flush after toilet unseated. is to flush before air dry.
- For automatic bubble infusion, is off. is on.
- For automatic open lid/seat, is auto open lid/seat. is auto open lid.
- For automatic deodorize, is off. is on.
- For foot sensor, is off. is on.
- Press to complete automatic set.
- Hold 3 seconds to return to default set.

Seat Temp

- Six levels to control. Default level 0 (room temp) .

Child Mode /Power

- In this mode, it rear washes 90 seconds and air dry 4 minutes. Water temp level is 4. Nozzle wash position level 5. Water pressure level 2. Air dryer temp level 2.
- For security, in this mode, all the other buttons are void except and , to avoid any button being pressed mistakenly.
- Above setting is default and unchangeable.
- This mode is only for rear wash, not feminine wash.

Nozzle Backward

Nozzle Forward

- 5 levels to control the nozzle position. Default level 4.
- One light on means the nozzle being the shortest. Five lights on means the nozzle being the longest.

Rear Wash /Oscillate

- It washes 90 seconds, then automatically air dries 4 minutes.
- You could press to stop the wash any time if the hygiene is done already.

Night Light/ Distance Sensor

- Press to turn on/off night light.
- Hold 2 seconds to control the radiolocator, which has 5 distance levels. 1 light on means short distance sense. All 5 lights on means long distance sense. You could also turn radiolocator off when all 5 lights are off.
- Radiolocator default set is level 4.

Bubble/ Power

- Press to power on the remote. Hold 2 seconds to power off the remote.
- When remote is power on, press to infuse bubble to the bowl.

Female Wash /Oscillate

- Press to start feminine wash for 90 seconds, and then dry for 4 minutes.
- Press again to start oscillation, and press again to stop.

Hot/Cold Pulsate

- Press to start hot/cold water pulsate massage during rear or feminine wash. Press again to stop.

Pulsate Wash

- Press to start pulsate massage during rear or feminine wash. Press again to stop.
- Press this button to infuse bubble when unseated.

Water Temp

- Six levels to control. Default level 0 (room temp) .




Open Lid/Seat

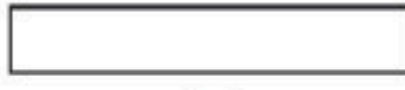

- When radiolocator is off, press once to open the lid, press again to open the seat, press a third time to flush and close the lid/seat.
- When radiolocator is on, press once to open the lid, press again to open the seat, press a third time to close the seat. The lid will close automatically at 30 seconds after people leaves.



Stop/Reset

- Press to stop the current function.
- Hold 3 seconds to return to default set.



How to Use the Side Control Buttons



- 
Dryer
- 
Flush
- 
Stop

- 
Rear Wash /Oscillate
- 
Switch Button Light

- 
Female Wash /Oscillate
- 
Nozzel Self-clean

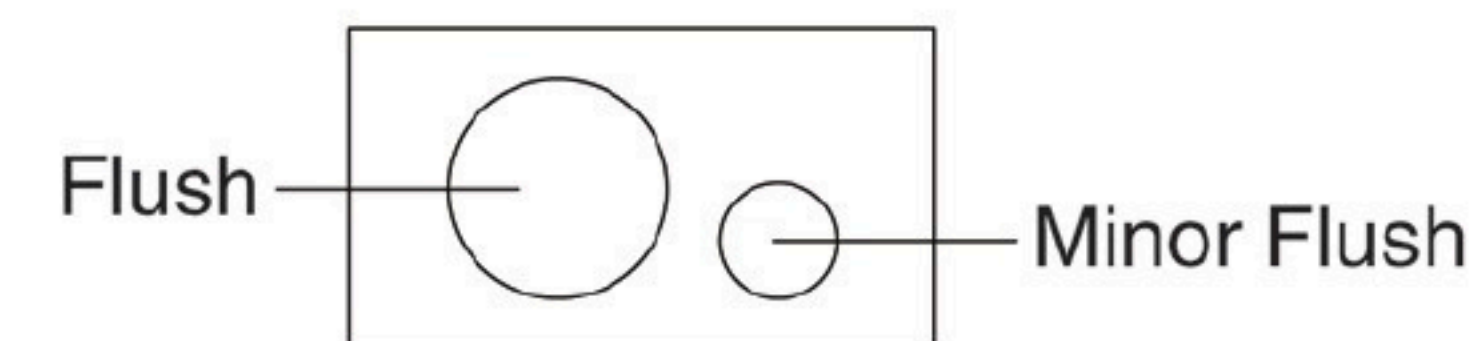
Press to stop the current function.
Press to air dry after rear or female wash.
Hold 3 seconds to flush.

When the toilet is seated, press  to rear wash. Press again to oscillate rear wash.
When the toilet is not seated, press  to turn on/off button light.

When the toilet is seated, press  to female wash. Press again to oscillate female wash.
When the toilet is not seated, press  to start nozzel self-clean.

■ When there is no power supply

Press the flush pane button to flush when there is no power supply.



Maintenance

- To ensure that you can normally use the product, please regularly clean and maintain it.
- When cleaning and maintaining, be sure to unplug the power supply, shut off the water supply valve.

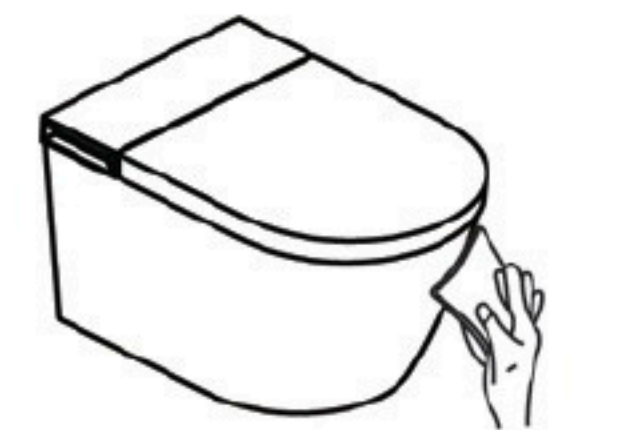
Maintain the Lid and the Seat

- Wipe the product with a soft damp cloth. If the dirt is not timely removed, it may become difficult to clean. Please often wipe it with water. In addition, wiping the toilet with water can prevent static electricity which can attract dust and make the product black and dirty.





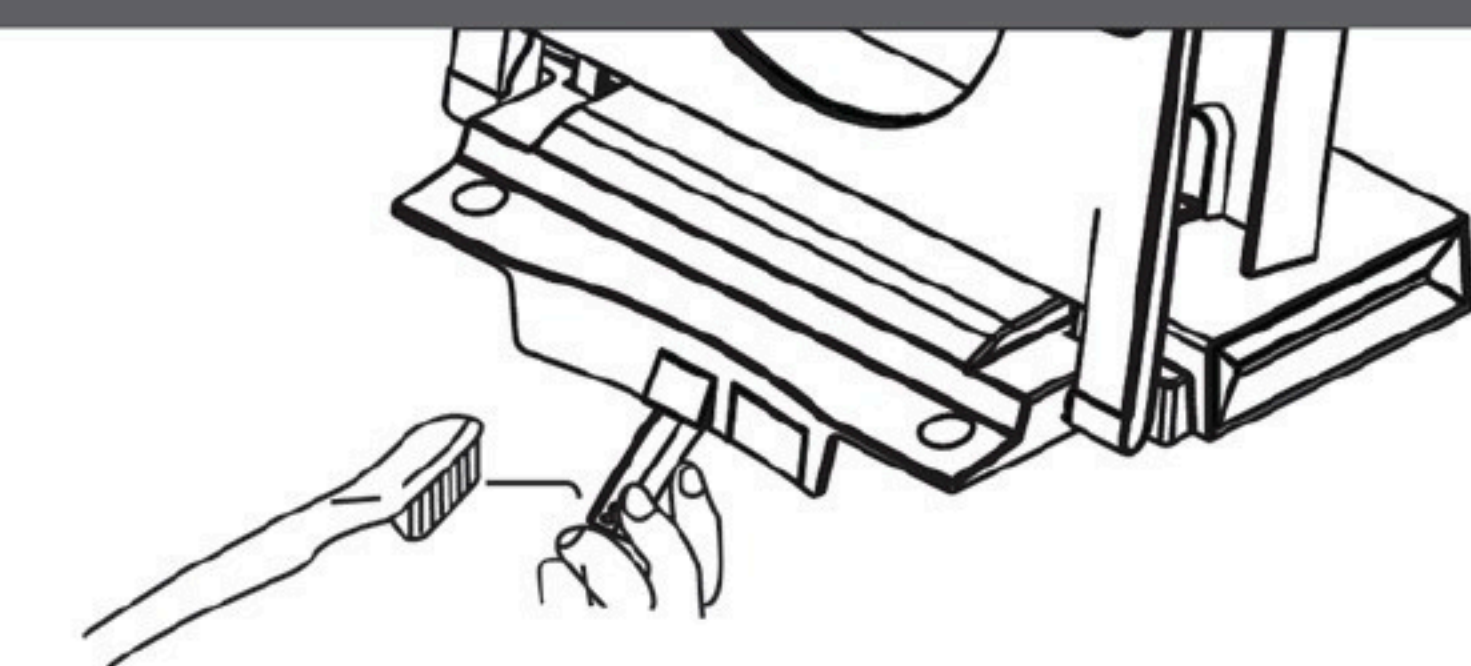
Maintain the Ceramic Part

- Wipe the product with a soft damp cloth. You can use soft brush, rag or sponge to clean the ceramic parts with mild detergent plus cold or warm water.
- Do not use inappropriate cleaning agents (toilet cleaner, alcohol, cresol, benzene, decontamination powder, bleach, tianna water, paint thinner, house cleaner, gasoline, etc.).




Clean the Nozzle

- 
Female Wash /Oscillate
- 
Nozzel Self-clean



- When the toilet is powered on and you are not seated, press the "Female Wash" side button to activate the nozzle self-clean function. The bidet wand will extend but not spray water. Please use soft brush to clean the nozzle.
- Self-cleaning lasts for 90 seconds. The water flows from the root of the wand will clean itself. The wand extends and does not move for the first 70 seconds. In the last 20 seconds it will move back and forth.
- Do not use excessive force when brushing the nozzle or you may damage it.


Default Set

Hold  of the remote for 4 seconds to reset.

- When the reset starts, all lights of the remote control are on for 3 seconds, which means the reset is finished.

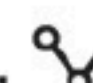
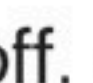
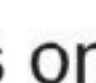









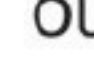

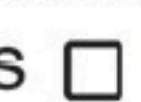

- Default setting is as follows:
 - water temperature level 0
 - air temperature level 0
 - seat temperature level 0
 - bidet wand position level 4
 - water pressure level 4
 - night light on

- Automatic Settings:

- Hold  2 seconds to set the automatic functions.

01 02 03 04 05 06 07

Power Save Automatic Flush Mode Automatic Bubble Infusion Automatic Open Lid/Seat Automatic Deodorize Foot Sensor

- For power save,  is off.  is on.
- For automatic flush,  is off.  is on.
- For flush mode,  is to flush after toilet unseated.  is to flush before air dry.
- For automatic bubble infusion,  is off.  is on.
- For automatic open lid/seat,  is auto open lid/seat.  is auto open lid.
- For automatic deodorize,  is off.  is on.
- For foot sensor,  is off.  is on.
- Press  to complete automatic set.
- Hold  3 seconds to return to default set.




Minor Flush/Auto Setting

Troubleshooting

Try to solve the problem according to the following instructions. If you still cannot solve the problem, please contact the distributors or call technical support.

Power Switch

Malfunction	Cause	Remedy
The product does not work.	No power supply.	Please confirm whether there is power failure.
	The leakage circuit breaker on the the power plug protects (the light of the leakage protection is not on).	Unplug the power from the receptacle and plug in later. Press the reset switch of the plug. If the the product still does not work, unplug the power and request a repair.
	The toilet is powered off.	Press  of the remote control to power on the toilet.

Rear Wash, Female Wash, Personalized Wash

Malfunction	Cause	Remedy
No water comes out of the nozzle.	There is no water supply.	Get the water supply.
	The shutoff valve is closed.	Open the shutoff valve.
	The inlet water filter is blocked.	Use a coin to open the filter and clean the filter net.
Not enough water pressure for cleaning.	The water pipes are bent badly.	Restore the bent supply hose to ensure smooth water flow.
	The cleaning water pressure is at the lowest level.	Adjust water pressure according to the user's manual.
Uncontrolled spray of water of nozzle.	The inlet filter is blocked.	Use a coin to open the filter and clean the filter net.
	Press the rear wash button and the water also comes out of the female wash spray nozzle.	Start the spray tip cleaning function after leaving the toilet. Then cut off the power supply and provide the power supply again after 10 seconds.
Low water temperature.	The water temperature is set at low levels.	Adjust the water temperature with reference to this manual.
	The hot and cold massage function is turned on.	Turn off the hot and cold massage function.
Water leakage from the bidet wand.	The toilet is still dripping after unplugging the power supply.	Solenoid valve is not tightly closed due to impurities, please ask for professional maintenance.
Cleaning function does not work normally.	The toilet is not seated.	Adjust your sitting position to let your body cover the sensing area of the seat.
	The toilet is powered off once during seated.	Cut off the power supply and power on the toilet after 10 seconds when it is not seated.
	Seat sensor fails.	Ask for professional maintenance.

Air Dry Temperature

Malfunction	Cause	Remedy
The toilet blows cold wind.	The drying temperature is at room level or lower.	Adjust the air temperature with reference to this manual.
Warm air suddenly stops.	Use for more than 4 minutes and air dry finishes.	Press the drying button again.

Specifications

Seat Temperature

Malfunctions	Cause	Remedy
The seat temperature is too low or the heat function fails.	The seat temperature is set at level 0.	Adjust the seat temperature with reference to this manual.
	The energy save function is on.	Close the energy save function with reference to this manual.

Remote Control

Malfunction	Cause	Remedy
Remote Control Failure.	The remote control batteries are too low in power.	Replace the batteries.
	The remote control panel has water droplets.	Wipe the water droplets with dry cloth.
	It is in child mode.	Press the stop button to stop the child mode.
	The remote control displays normally and the toilet does not beep.	Re-synchronize the remote and the toilet.

Ceramic

Malfunction	Cause	Remedy
When the water pressure is low, the toilet flush poorly.	The filter is blocked.	Use a coin to open the filter and clean the filter net.
	Water supply pressure is too low.	If the amount of water coming out less than 3L per 10 seconds, it is recommended to buy a booster pump.
	The water supply hose is bent.	Restore the bent supply hose to ensure smooth water flow.
When water pressure is normal, the toilet flush poorly and there is no siphonage.	Water pipe is blocked.	Dredge the water pipe.
	Leakage at the waste drain.	Ask for professional maintenance.
When the water pressure is normal, no water for rear wash or flush.	The shutoff valve is closed.	Turn on the shutoff valve.
	Flush valve failure.	Ask for professional maintenance.
The water keeps flowing.	Flush valve is not tightly closed due to impurities.	Ask for professional maintenance.
Uncontrolled automatic flushing.	There is a foreign object in front of the foot sensor.	Remove the foreign object.

Others

Malfunction	Cause	Remedy
The lid/seat drops too fast.	The toilet is powered off.	It is normal. There is no reverse braking during the power failure, so the speed becomes faster.
The toilet does not automatically flush after male's urination.	The seat is not open.	Keep both the lid and the seat open for a male's urination.

Rated voltage		220 V
Rated frequency		50 Hz
Rated power consumption		1110 W
Maximum input power		1680 W
Ambient temperature		2°C~40°C (35 F ~104 F)
Inlet water temperature		2°C~40°C (35 F ~104 F)
Water supply		Connect to DIN1 / 2 "or above water supply pipes
Water pressure range	Minimum required water pressure	0.1MPa (17L / min or more when the water flows)
	Maximum water pressure	0.75MPa (static)
Toilet	Way of flushing	siphonage
	Pitch-row	180 mm (7 inch)
Cleaning	Way of heating	Impulse heating
	Amount of water for rear wash	When water pressure is 0.2MPa, about 0.5~0.7L/min (6 levels to control)
	Amount of water for female wash	When water pressure is 0.2MPa, about 0.5~0.7L/min (6 levels to control)
	Amount of water for personalized wash	When water pressure is 0.2MPa, about 0.5~0.7L/min (6 levels to control)
	Warm water temperature	6 levels to control
	Water pressure control	6 levels to control
	Bidet Wand Position Adjustment	5 levels to control
	Heater power	1600 W
Warm Air	Safety device	Water temperature sensor, thermostat, temperature fuse, water flow detection device
	Warm air temperature	6 levels to control
	Wind speed	About 4.8m/s
	Heater power	270 W
Seat	Safety device	locked-rotor protection, room temperature sensor, thermostat, temperature fuse
	Seat temperature	6 levels to control
	Heater power	40 W
	Way of lid/ring opening	Automatic lid and seat open
Remote Control	Size (L x W x H)	201 x 57 x 20 mm (7.9 x 2.2 x 0.8 inch)
	Power supply	AAA alkaline batteries: 2
Fire Prevention	Way of communication	Button remote control based on 433 MHz communication protocol
	Seat Material	V-0
Waterproof Level		IPX4
Wire Length		1.2 m or 1.5 m
Product Size (L x W x H)		605 x 396 x 381 mm (23.8 x 15.6 x 15 inch)
Package Size (L x W x H)		725 x 460 x 555 mm (28.5 x 18.1 x 20.9 inch)
Weight		Net 30 kg (66 lbs). Gross 36 kg (79 lbs)

Warranty

We warrant our products to be free from material, manufacturing and labor defects under normal use and service for a period of time limited to 2 years from the date of purchase.

Our obligation to you under this warranty is limited to parts, repair, or replacement, at our option, of defective products or parts, provided the products were properly installed and used in accordance with the instructions.

We reserve the right to make inspections in order to determine the cause of any defects. We will not charge for labor or parts in connection with warranty repairs or replacement performed by our technicians. We are not responsible for the cost of removal, return, 3rd party repair services, and/or re-installation of products.

This warranty does not apply to:

1. Damage or loss from a fire, earthquake, flood, etc.
2. Damage or loss resulting from any unreasonable use, abuse, negligence, or improper maintenance.
3. Damage or loss from improper installation, removal, repair, or modification.
4. Damage or loss resulting from sediment or other matters contained in your water system.

We shall not be responsible for the loss of the product or other incidental or consequential damage or expenses you may incur, or for labor or other costs due to installation, removal, third party repairs, or other expenses not previously stated.

Please keep your purchase record to validate your warranty.